



DIGITAL SATELLITE RECEIVER

DSR9500 FTA

DSR9500 CI

DSR9500 EM VIA

DSR9500 VIA CI

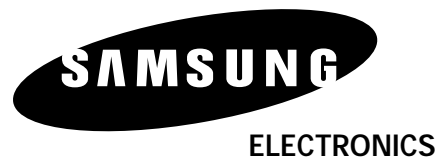
SERVICE *Manual*

DIGITAL SATELLITE RECEIVER



CONTENTS

1. Precautions
2. Operating Instructions
3. Software Upgrade and Installation
4. Troubleshooting
5. Exploded View and Parts List
6. Electrical Parts List
7. PCB Diagrams
8. Schematic Diagrams



SERVICE MANUAL

DSR9500 (FTA, CI, EM VIA, VIA CI)

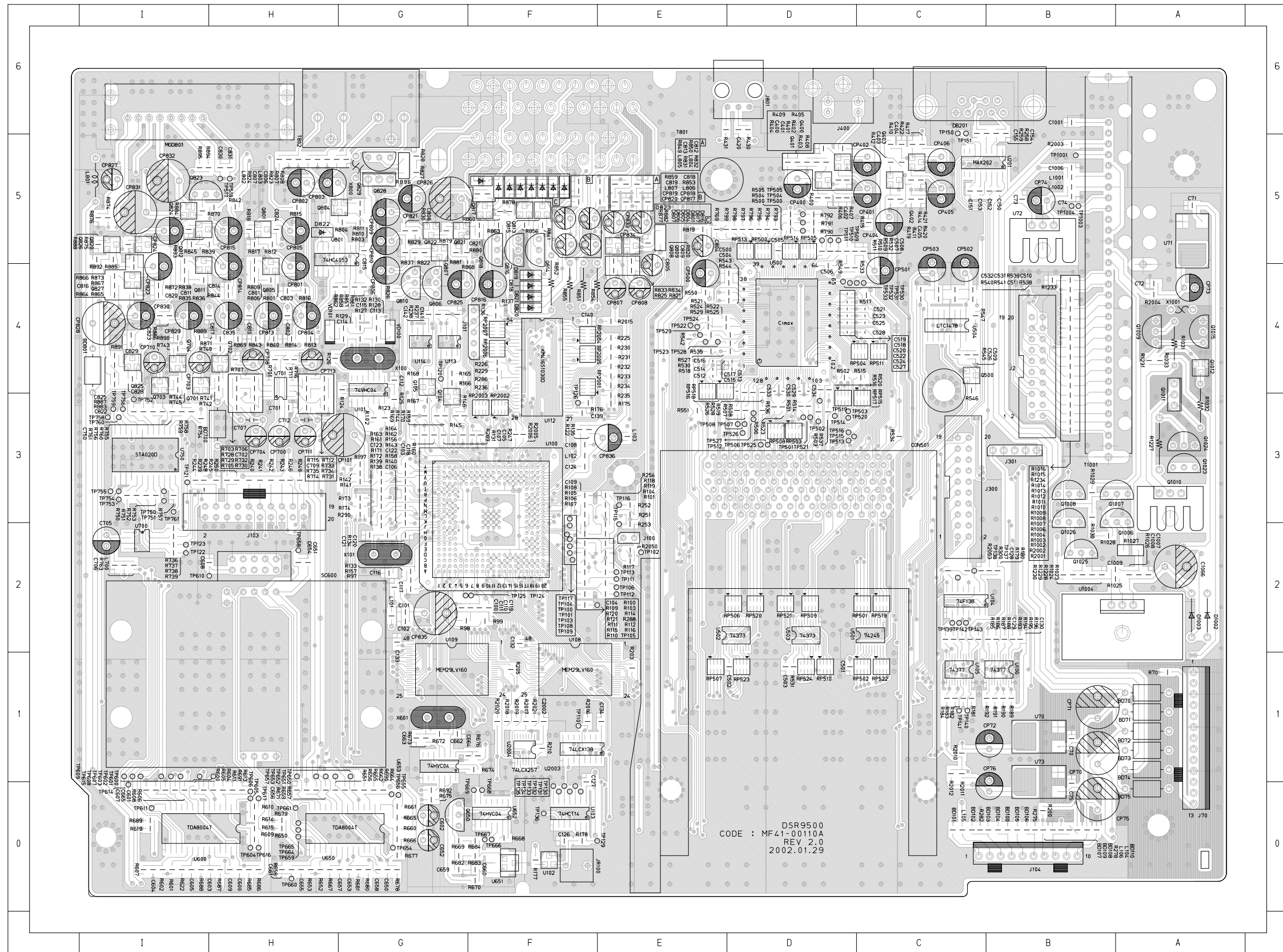
7. PCB Diagrams

7-1 Main 7-2

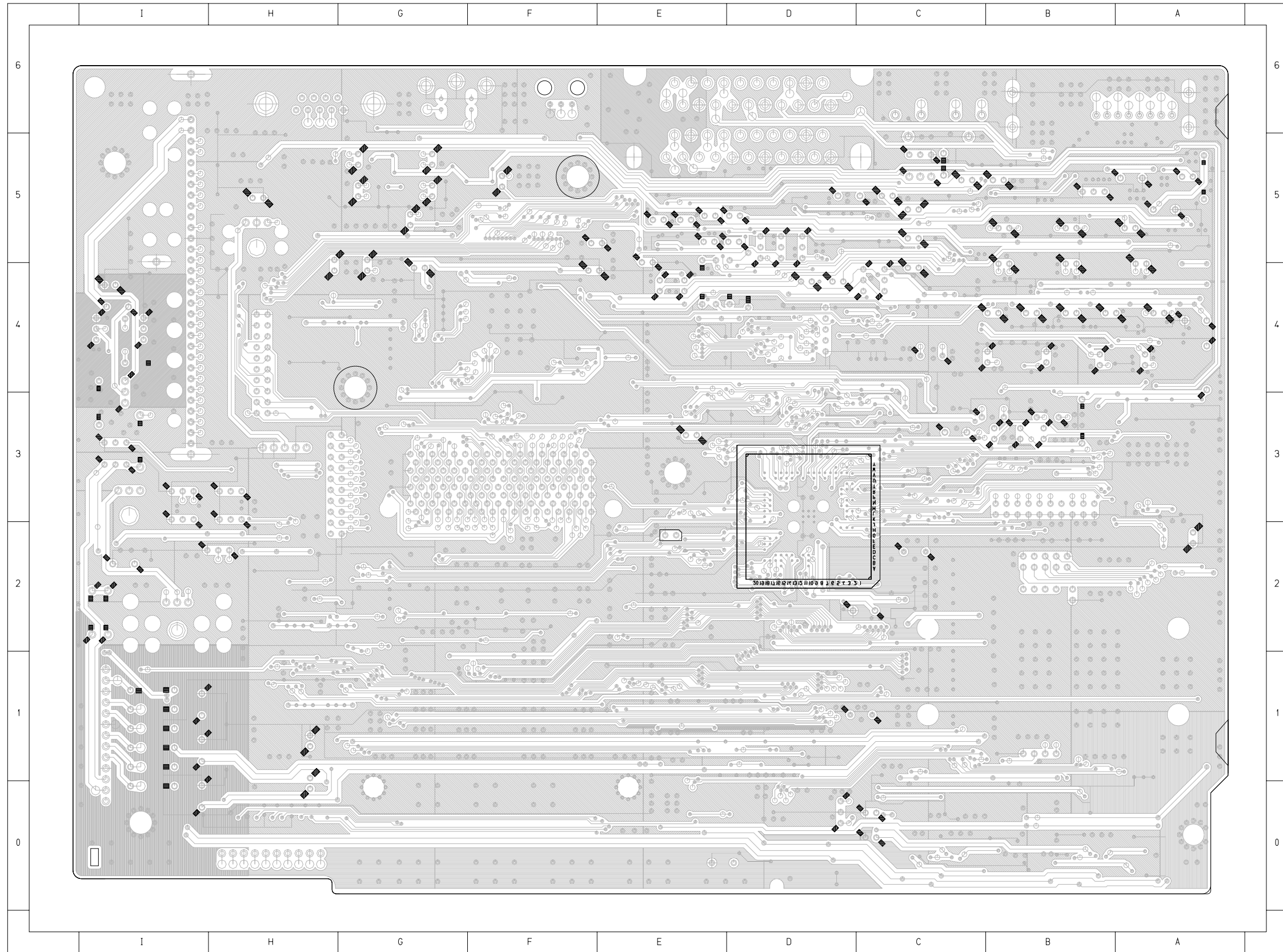
7-2 Front 7-4

7-1 Main

COMPONENT SIDE

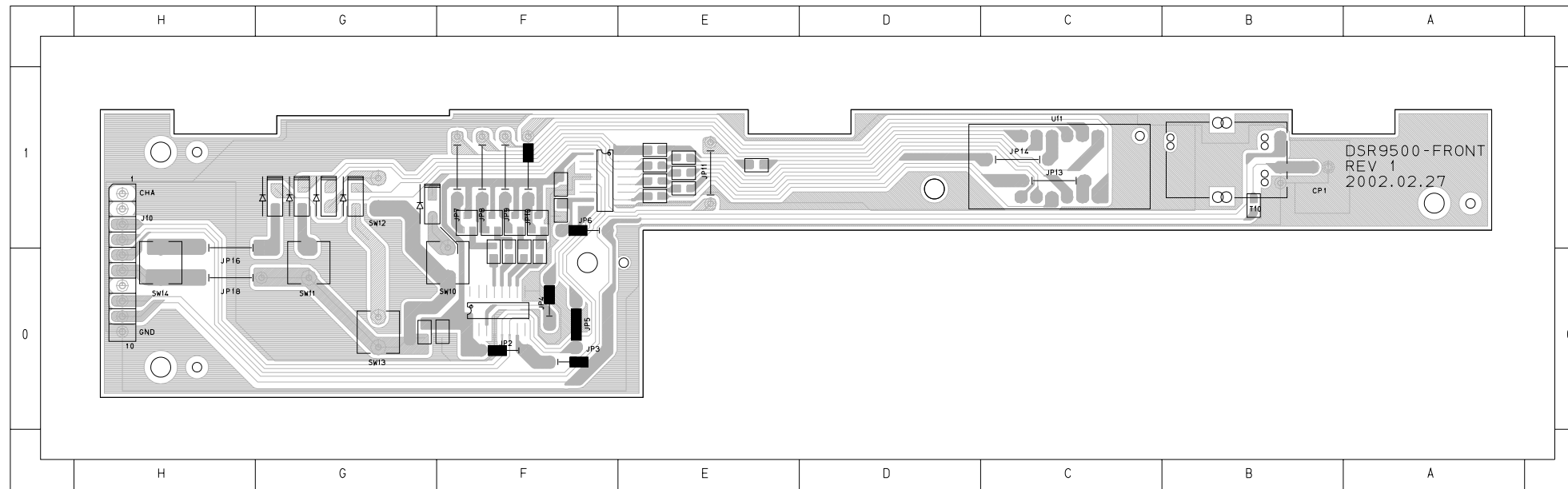


CONDUCTOR SIDE

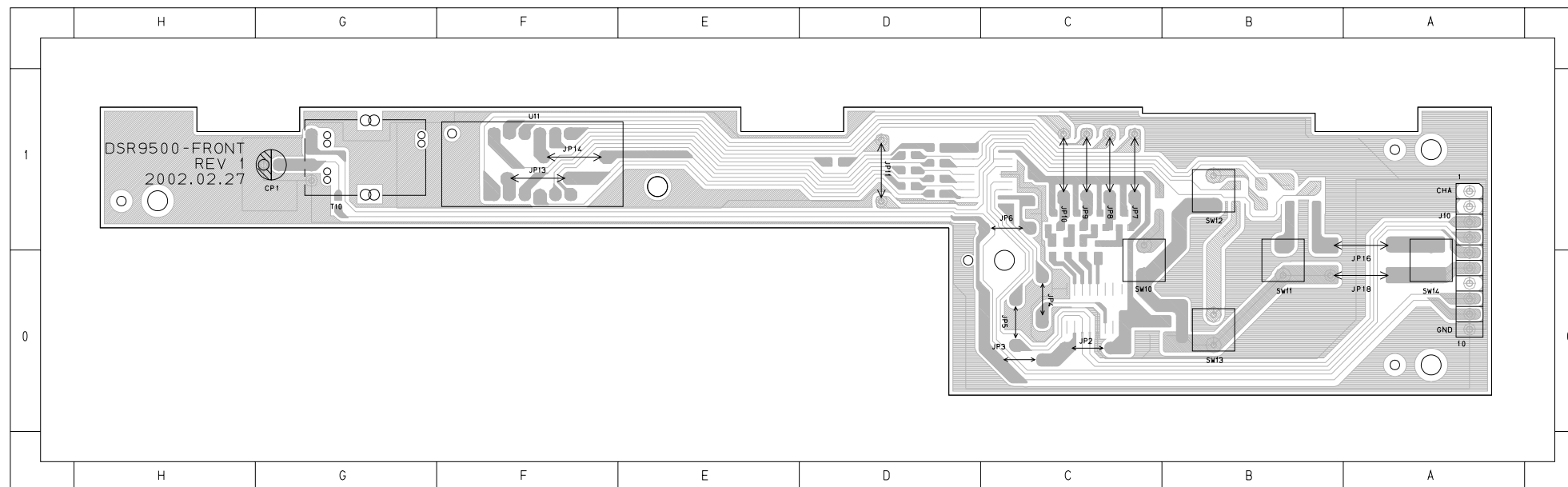


7-2 Front

COMPONENT SIDE



CONDUCTOR SIDE



Electrical Parts List

Loc.No	Part No	Description ; Specification	Remark	Loc.No	Part No	Description ; Specification	Remark
CP72	2401-00010	C-AL:220uf,20%,16V,GP,-6.3x11mm,2		L806	2703-000229	INDUCTOR-SMD:6.8UH,20%,1.25X2X1.25MM	
CP73	2401-00010	C-AL:220uf,20%,16V,GP,-6.3x11mm,2		L807	2703-000229	INDUCTOR-SMD:6.8UH,20%,1.25X2X1.25MM	
CP74	2401-000273	AL CAPACITOR:100uf,20%,16V,GP,-6.3x11,2		MOD80	1 MF40-00129A	RF MODULATOR:RMUP74055FS(S),PAL,40CHANNE	
CP801	2401-000273	AL CAPACITOR:100uf,20%,16V,GP,-6.3x11,2		Q1006	0504-000180	TR-DIGITAL:DTC114ES,NPN,300mW,10K/10K,SC	
CP802	2401-000273	AL CAPACITOR:100uf,20%,16V,GP,-6.3x11,2		Q1007	0504-000180	TR-DIGITAL:DTC114ES,NPN,300mW,10K/10K,SC	
CP803	2401-000010	C-AL:220uf,20%,16V,GP,-6.3x11mm,2		Q1008	0504-000180	TR-DIGITAL:DTC114ES,NPN,300mW,10K/10K,SC	
CP804	2401-000273	AL CAPACITOR:100uf,20%,16V,GP,-6.3x11,2		Q1009	0504-000180	TR-DIGITAL:DTC114ES,NPN,300mW,10K/10K,SC	
CP805	2401-000273	AL CAPACITOR:100uf,20%,16V,GP,-6.3x11,2		Q1010	0502-000360	TR-POWER:TIP42C,PNP,65000MW,TO-220,TP,1	
CP806	2401-000273	AL CAPACITOR:100uf,20%,16V,GP,-6.3x11,2		Q1010	MF62-00001B	HEAT-SINK:A6063,11X15X20,-,-,-,-	
CP807	2401-001287	C-AL:47uf,20%,16V,GP,TP,5x12mm,-		Q1011	0502-000360	TR-POWER:TIP42C,PNP,65000MW,TO-220,TP,1	
CP808	2401-001287	C-AL:47uf,20%,16V,GP,TP,5x12mm,-		Q1012	0501-000457	TR-SMALL SIGNAL:MMBT2222A,NPN,350MW,SOT-	
CP809	2401-000273	AL CAPACITOR:100uf,20%,16V,GP,-6.3x11,2		Q1015	0504-000180	TR-DIGITAL:DTC114ES,NPN,300mW,10K/10K,SC	
CP810	2401-000273	AL CAPACITOR:100uf,20%,16V,GP,-6.3x11,2		Q1023	0501-000316	TR-SMALL SIGNAL:KSA928A-Y,PNP,1000mW,TO-	
CP813	2401-000273	AL CAPACITOR:100uf,20%,16V,GP,-6.3x11,2		Q1024	0504-000180	TR-DIGITAL:DTC114ES,NPN,300mW,10K/10K,SC	
CP814	2401-000273	AL CAPACITOR:100uf,20%,16V,GP,-6.3x11,2		Q1025	0504-000180	TR-DIGITAL:DTC114ES,NPN,300mW,10K/10K,SC	
CP815	2401-000273	AL CAPACITOR:100uf,20%,16V,GP,-6.3x11,2		Q1026	0504-000180	TR-DIGITAL:DTC114ES,NPN,300mW,10K/10K,SC	
CP816	2401-000273	AL CAPACITOR:100uf,20%,16V,GP,-6.3x11,2		Q400	0501-000457	TR-SMALL SIGNAL:MMBT2222A,NPN,350MW,SOT-	
CP817	2401-001287	C-AL:47uf,20%,16V,GP,TP,5x12mm,-		Q401	0501-000462	TR-SMALL SIGNAL:MMBT2907A,PNP,350MW,SOT-	
CP818	2401-000408	C-AL:10uf,20%,16V,GP,TP,3.5x5,2,5		Q402	0501-000462	TR-SMALL SIGNAL:MMBT2907A,PNP,350MW,SOT-	
CP819	2401-000408	C-AL:10uf,20%,16V,GP,TP,3.5x5,2,5		Q403	0501-000457	TR-SMALL SIGNAL:MMBT2222A,NPN,350MW,SOT-	
CP820	2401-001287	C-AL:47uf,20%,16V,GP,TP,5x12mm,-		Q701	0501-000462	TR-SMALL SIGNAL:MMBT2907A,PNP,350MW,SOT-	
CP821	2401-000273	AL CAPACITOR:100uf,20%,16V,GP,-6.3x11,2		Q702	0501-000457	TR-SMALL SIGNAL:MMBT2222A,NPN,350MW,SOT-	
CP823	2401-000273	AL CAPACITOR:100uf,20%,16V,GP,-6.3x11,2		Q703	0501-000462	TR-SMALL SIGNAL:MMBT2907A,PNP,350MW,SOT-	
CP824	2401-000273	AL CAPACITOR:100uf,20%,16V,GP,-6.3x11,2		Q704	0501-000457	TR-SMALL SIGNAL:MMBT2222A,NPN,350MW,SOT-	
CP825	2401-000273	AL CAPACITOR:100uf,20%,16V,GP,-6.3x11,2		Q801	0501-000457	TR-SMALL SIGNAL:MMBT2222A,NPN,350MW,SOT-	
CP826	2401-000037	C-AL:470uf,20%,16V,GP,TP,8x11.5,5		Q804	0501-000457	TR-SMALL SIGNAL:MMBT2222A,NPN,350MW,SOT-	
CP827	2401-000408	C-AL:10uf,20%,16V,GP,TP,3.5x5,2,5		Q805	0501-000462	TR-SMALL SIGNAL:MMBT2907A,PNP,350MW,SOT-	
CP828	2401-000037	C-AL:470uf,20%,16V,GP,TP,8x11.5,5		Q806	0501-000316	TR-SMALL SIGNAL:KSA928A-Y,PNP,1000mW,TO-	
CP829	2401-000273	AL CAPACITOR:100uf,20%,16V,GP,-6.3x11,2		Q807	0501-000457	TR-SMALL SIGNAL:MMBT2222A,NPN,350MW,SOT-	
CP830	2401-000273	AL CAPACITOR:100uf,20%,16V,GP,-6.3x11,2		Q808	0501-000457	TR-SMALL SIGNAL:MMBT2222A,NPN,350MW,SOT-	
CP831	2401-000677	C-AL:220uf,20%,10V,GP,TP,10x20mm,5		Q809	0501-000457	TR-SMALL SIGNAL:MMBT2222A,NPN,350MW,SOT-	
CP832	2401-000677	C-AL:220uf,20%,10V,GP,TP,10x20mm,5		Q810	0504-000180	TR-DIGITAL:DTC114ES,NPN,300mW,10K/10K,SC	
CP833	2401-001287	C-AL:47uf,20%,16V,GP,TP,5x12mm,-		Q811	0501-000462	TR-SMALL SIGNAL:MMBT2907A,PNP,350MW,SOT-	
CP834	2401-001287	C-AL:47uf,20%,16V,GP,TP,5x12mm,-		Q812	0501-000457	TR-SMALL SIGNAL:MMBT2222A,NPN,350MW,SOT-	
CP835	2401-000037	C-AL:470uf,20%,16V,GP,TP,8x11.5,5		Q813	0501-000462	TR-SMALL SIGNAL:MMBT2907A,PNP,350MW,SOT-	
CP836	2401-000010	C-AL:220uf,20%,16V,GP,-6.3x11mm,2		Q814	0504-000180	TR-DIGITAL:DTC114ES,NPN,300mW,10K/10K,SC	
D1002	0402-000129	DIODE-RECTIFIER:1N4003,200V,1A,DO-41,TP		Q816	0504-000180	TR-DIGITAL:DTC114ES,NPN,300mW,10K/10K,SC	
D1003	0402-000129	DIODE-RECTIFIER:1N4003,200V,1A,DO-41,TP		Q817	0501-000462	TR-SMALL SIGNAL:MMBT2907A,PNP,350MW,SOT-	
D801	0401-000133	DIODE-SWITCHING:RLS4148,100V,200MA,SOD-8		Q818	0504-000180	TR-DIGITAL:DTC114ES,NPN,300mW,10K/10K,SC	
D804	0401-000133	DIODE-SWITCHING:RLS4148,100V,200MA,SOD-8		Q820	0501-000457	TR-SMALL SIGNAL:MMBT2222A,NPN,350MW,SOT-	
D805	0401-000133	DIODE-SWITCHING:RLS4148,100V,200MA,SOD-8		Q821	0501-000457	TR-SMALL SIGNAL:MMBT2222A,NPN,350MW,SOT-	
D806	0401-000133	DIODE-SWITCHING:RLS4148,100V,200MA,SOD-8		Q822	0501-000457	TR-SMALL SIGNAL:MMBT2222A,NPN,350MW,SOT-	
D807	0401-000133	DIODE-SWITCHING:RLS4148,100V,200MA,SOD-8		Q823	0504-000180	TR-DIGITAL:DTC114ES,NPN,300mW,10K/10K,SC	
D815	0501-000462	TR-SMALL SIGNAL:MMBT2907A,PNP,350MW,SOT-		Q824	0501-000462	TR-SMALL SIGNAL:MMBT2907A,PNP,350MW,SOT-	
D816	0403-001390	DIODE-ZENER:RLZ18B,16.82-17.7V,500mW,LL-		Q825	0501-000462	TR-SMALL SIGNAL:MMBT2907A,PNP,350MW,SOT-	
D817	0403-001390	DIODE-ZENER:RLZ18B,16.82-17.7V,500mW,LL-		Q826	0501-000457	TR-SMALL SIGNAL:MMBT2222A,NPN,350MW,SOT-	
DB201	3701-000320	CONNECTOR-DSUB:9P,2R,FEMALE,ANGLE,AJUF		Q827	0501-000462	TR-SMALL SIGNAL:MMBT2907A,PNP,350MW,SOT-	
J100	3711-002633	CONNECTOR-HEADER:NOWALL,2P,1R,2.54mm,STR		Q828	0502-000360	TR-POWER:TIP42C,PNP,65000MW,TO-220,TP,1	
J103	3711-000754	CONNECTOR-HEADER:BOX,2P,2R,2.54mm,STRAIG		Q829	0504-000180	TR-DIGITAL:DTC114ES,NPN,300mW,10K/10K,SC	
J104	3711-000577	CONNECTOR-HEADER:BOX,10P,1R,2.5mm,STRAIG		R100	2007-000300	R-CHIP:10KOHM,5%,1/10W,DA,TP,2012	
J400	MF39-00014A	SUPER VIDEO-JACK:4016-4P-MR,-,-,-,-,-,-,-		R1002	2007-000290	R-CHIP:100OHM,5%,1/10W,DA,TP,2012	
J70	3711-003133	CONNECTOR-HEADER:BOX,13P,1R,2.5mm,STRAIG		R1003	2007-000290	R-CHIP:100OHM,5%,1/10W,DA,TP,2012	
J801	0603-001051	OPTIC TRANSMITTER:5V,6Mb/s,5m,-15dBm,660		R1004	2007-000290	R-CHIP:100OHM,5%,1/10W,DA,TP,2012	
JR100	3404-001064	SWITCH-TACT:12V,50mA,160gf,6x6x3.5mm,-		R1006	2007-000290	R-CHIP:100OHM,5%,1/10W,DA,TP,2012	
L1002	MF27-00010D	HZ CHIP INDUCTOR:-2.0x1.25x0.9,-,-,-,-,-		R1007	2007-000290	R-CHIP:100OHM,5%,1/10W,DA,TP,2012	
L101	2703-000125	INDUCTOR-SMD:10uH,10%,1.25x2x1.25mm		R1008	2007-000290	R-CHIP:100OHM,5%,1/10W,DA,TP,2012	
L102	2703-000125	INDUCTOR-SMD:10uH,10%,1.25x2x1.25mm		R1009	2007-000290	R-CHIP:100OHM,5%,1/10W,DA,TP,2012	
L103	MF27-00010D	HZ CHIP INDUCTOR:-2.0x1.25x0.9,-,-,-,-,-		R1010	2007-000290	R-CHIP:100OHM,5%,1/10W,DA,TP,2012	
L104	2703-000125	INDUCTOR-SMD:10uH,10%,1.25x2x1.25mm		R1011	2007-000290	R-CHIP:100OHM,5%,1/10W,DA,TP,2012	
L106	2703-000125	INDUCTOR-SMD:10uH,10%,1.25x2x1.25mm		R1012	2007-000290	R-CHIP:100OHM,5%,1/10W,DA,TP,2012	
L700	2703-000125	INDUCTOR-SMD:10uH,10%,1.25x2x1.25mm		R1013	2007-000290	R-CHIP:100OHM,5%,1/10W,DA,TP,2012	
L801	3301-000287	CORE-FERRITE BEAD-AA,3.5x1.0x6.0mm,1500,		R1015	2007-000290	R-CHIP:100OHM,5%,1/10W,DA,TP,2012	
L802	2703-000229	INDUCTOR-SMD:6.8UH,20%,1.25X2X1.25MM		R102	2007-001043	R-CHIP:560HM,5%,1/10W,DA,TP,2012	
L803	2703-000229	INDUCTOR-SMD:6.8UH,20%,1.25X2X1.25MM		R1023	2007-000981	R-CHIP:5.6KOHM,5%,1/10W,DA,TP,2012	
L804	2703-000229	INDUCTOR-SMD:6.8UH,20%,1.25X2X1.25MM		R1024	2007-000586	R-CHIP:22KOHM,5%,1/10W,DA,TP,2012	
L805	2703-000229	INDUCTOR-SMD:6.8UH,20%,1.25X2X1.25MM		R1025	2007-000766	R-CHIP:330OHM,5%,1/10W,DA,TP,2012	

Loc.No	Part No	Description ; Specification	Remark	Loc.No	Part No	Description ; Specification	Remark
R1026	2007-000947	R-CHIP:470HM,5%,1/10W,DA,TP,2012		R178	2007-000781	R-CHIP:330HM,5%,1/10W,DA,TP,2012	
R1027	2007-000245	R-CHIP:1.5KOHM,5%,1/8W,DA,TP,3216		R179	2007-000029	R-CHIP:00HM,5%,1/10W,DA,TP,2012	
R1028	2007-000300	R-CHIP:10KOHM,5%,1/10W,DA,TP,2012		R181	2007-000300	R-CHIP:10KOHM,5%,1/10W,DA,TP,2012	
R1029	2007-001166	R-CHIP:750HM,5%,1/10W,DA,TP,2012		R182	2007-000300	R-CHIP:10KOHM,5%,1/10W,DA,TP,2012	
R1030	2007-000300	R-CHIP:10KOHM,5%,1/10W,DA,TP,2012		R183	2007-000300	R-CHIP:10KOHM,5%,1/10W,DA,TP,2012	
R1031	2001-001045	R-CARBON(S):1.2KOHM,5%,1/2W,AA,TP,2.4X6.		R184	2007-000300	R-CHIP:10KOHM,5%,1/10W,DA,TP,2012	
R1032	2001-000044	R-CARBON:1.2KOHM,5%,1/4W,AA,TP,2.4X6.4M		R185	2007-000300	R-CHIP:10KOHM,5%,1/10W,DA,TP,2012	
R1033	2007-000300	R-CHIP:10KOHM,5%,1/10W,DA,TP,2012		R186	2007-000300	R-CHIP:10KOHM,5%,1/10W,DA,TP,2012	
R104	2007-000300	R-CHIP:10KOHM,5%,1/10W,DA,TP,2012		R187	2007-000300	R-CHIP:10KOHM,5%,1/10W,DA,TP,2012	
R106	2007-000029	R-CHIP:00HM,5%,1/10W,DA,TP,2012		R188	2007-000300	R-CHIP:10KOHM,5%,1/10W,DA,TP,2012	
R108	2007-000029	R-CHIP:00HM,5%,1/10W,DA,TP,2012		R189	2007-000300	R-CHIP:10KOHM,5%,1/10W,DA,TP,2012	
R110	2007-000781	R-CHIP:330HM,5%,1/10W,DA,TP,2012		R190	2007-000300	R-CHIP:10KOHM,5%,1/10W,DA,TP,2012	
R111	2007-000781	R-CHIP:330HM,5%,1/10W,DA,TP,2012		R191	2007-000300	R-CHIP:10KOHM,5%,1/10W,DA,TP,2012	
R112	2007-000781	R-CHIP:330HM,5%,1/10W,DA,TP,2012		R192	2007-000300	R-CHIP:10KOHM,5%,1/10W,DA,TP,2012	
R114	2007-000781	R-CHIP:330HM,5%,1/10W,DA,TP,2012		R193	2007-000300	R-CHIP:10KOHM,5%,1/10W,DA,TP,2012	
R115	2007-000781	R-CHIP:330HM,5%,1/10W,DA,TP,2012		R194	2007-000300	R-CHIP:10KOHM,5%,1/10W,DA,TP,2012	
R116	2007-000781	R-CHIP:330HM,5%,1/10W,DA,TP,2012		R195	2007-000300	R-CHIP:10KOHM,5%,1/10W,DA,TP,2012	
R117	2007-000029	R-CHIP:00HM,5%,1/10W,DA,TP,2012		R196	2007-000300	R-CHIP:10KOHM,5%,1/10W,DA,TP,2012	
R118	2007-000300	R-CHIP:10KOHM,5%,1/10W,DA,TP,2012		R200	2007-000872	R-CHIP:4.7KOHM,5%,1/10W,DA,TP,2012	
R119	2007-000300	R-CHIP:10KOHM,5%,1/10W,DA,TP,2012		R2001	2007-000290	R-CHIP:1000HM,5%,1/10W,DA,TP,2012	
R121	2007-000029	R-CHIP:00HM,5%,1/10W,DA,TP,2012		R2002	2007-000290	R-CHIP:1000HM,5%,1/10W,DA,TP,2012	
R122	2007-000029	R-CHIP:00HM,5%,1/10W,DA,TP,2012		R2003	2007-000029	R-CHIP:00HM,5%,1/10W,DA,TP,2012	
R1227	2003-000126	R-METAL OXIDE:1.2Kohm,5%,1W,AA,TP,4.3x12		R2004	2007-000029	R-CHIP:00HM,5%,1/10W,DA,TP,2012	
R1228	2007-000457	R-CHIP:18KOHM,5%,1/10W,DA,TP,2012		R2005	2007-000029	R-CHIP:00HM,5%,1/10W,DA,TP,2012	
R1229	2007-000774	R-CHIP:33KOHM,5%,1/10W,DA,TP,2012		R2006	2007-001166	R-CHIP:750HM,5%,1/10W,DA,TP,2012	
R123	2007-001043	R-CHIP:560HM,5%,1/10W,DA,TP,2012		R2012	2007-000029	R-CHIP:00HM,5%,1/10W,DA,TP,2012	
R1230	2007-000300	R-CHIP:10KOHM,5%,1/10W,DA,TP,2012		R2015	MF27-00010D	HZ CHIP INDUCTOR:-2.0x1.25x0.9,.....	
R1234	2007-000290	R-CHIP:1000HM,5%,1/10W,DA,TP,2012		R2016	2007-000029	R-CHIP:00HM,5%,1/10W,DA,TP,2012	
R124	2007-001043	R-CHIP:560HM,5%,1/10W,DA,TP,2012		R2018	2007-000029	R-CHIP:00HM,5%,1/10W,DA,TP,2012	
R125	2007-000029	R-CHIP:00HM,5%,1/10W,DA,TP,2012		R2019	2007-000029	R-CHIP:00HM,5%,1/10W,DA,TP,2012	
R126	2007-001043	R-CHIP:560HM,5%,1/10W,DA,TP,2012		R2020	2007-000029	R-CHIP:00HM,5%,1/10W,DA,TP,2012	
R127	2007-000498	R-CHIP:2.2MOHM,5%,1/10W,DA,TP,2012		R2021	2007-000029	R-CHIP:00HM,5%,1/10W,DA,TP,2012	
R128	2007-000282	R-CHIP:100KOHM,5%,1/10W,DA,TP,2012		R2050	2007-000029	R-CHIP:00HM,5%,1/10W,DA,TP,2012	
R129	2007-000282	R-CHIP:100KOHM,5%,1/10W,DA,TP,2012		R225	2007-000290	R-CHIP:1000HM,5%,1/10W,DA,TP,2012	
R130	2007-000001	R-CHIP:68KOHM,5%,1/10W,DA,TP,2012		R226	2007-000290	R-CHIP:1000HM,5%,1/10W,DA,TP,2012	
R132	2007-000468	R-CHIP:1KOHM,5%,1/10W,DA,TP,2012		R229	2007-000781	R-CHIP:330HM,5%,1/10W,DA,TP,2012	
R133	2007-000029	R-CHIP:00HM,5%,1/10W,DA,TP,2012		R230	2007-000290	R-CHIP:1000HM,5%,1/10W,DA,TP,2012	
R138	2007-000300	R-CHIP:10KOHM,5%,1/10W,DA,TP,2012		R231	2007-000290	R-CHIP:1000HM,5%,1/10W,DA,TP,2012	
R139	2007-000300	R-CHIP:10KOHM,5%,1/10W,DA,TP,2012		R232	2007-000290	R-CHIP:1000HM,5%,1/10W,DA,TP,2012	
R140	2007-000300	R-CHIP:10KOHM,5%,1/10W,DA,TP,2012		R233	2007-000290	R-CHIP:1000HM,5%,1/10W,DA,TP,2012	
R142	2007-000029	R-CHIP:00HM,5%,1/10W,DA,TP,2012		R234	2007-000290	R-CHIP:1000HM,5%,1/10W,DA,TP,2012	
R143	2007-001672	R-CHIP:8.2KOHM,1%,1/10W,DA,TP,2012		R235	2007-000290	R-CHIP:1000HM,5%,1/10W,DA,TP,2012	
R144	2007-000300	R-CHIP:10KOHM,5%,1/10W,DA,TP,2012		R236	2007-000300	R-CHIP:10KOHM,5%,1/10W,DA,TP,2012	
R145	2007-000300	R-CHIP:10KOHM,5%,1/10W,DA,TP,2012		R240	2007-000300	R-CHIP:10KOHM,5%,1/10W,DA,TP,2012	
R146	2007-000300	R-CHIP:10KOHM,5%,1/10W,DA,TP,2012		R241	2007-000300	R-CHIP:10KOHM,5%,1/10W,DA,TP,2012	
R156	2007-000468	R-CHIP:1KOHM,5%,1/10W,DA,TP,2012		R242	2007-000300	R-CHIP:10KOHM,5%,1/10W,DA,TP,2012	
R157	2007-000300	R-CHIP:10KOHM,5%,1/10W,DA,TP,2012		R243	2007-000300	R-CHIP:10KOHM,5%,1/10W,DA,TP,2012	
R158	2007-000300	R-CHIP:10KOHM,5%,1/10W,DA,TP,2012		R244	2007-001166	R-CHIP:750HM,5%,1/10W,DA,TP,2012	
R159	2007-000029	R-CHIP:00HM,5%,1/10W,DA,TP,2012		R245	2007-001166	R-CHIP:750HM,5%,1/10W,DA,TP,2012	
R160	2007-000029	R-CHIP:00HM,5%,1/10W,DA,TP,2012		R246	2007-001166	R-CHIP:750HM,5%,1/10W,DA,TP,2012	
R161	2007-000029	R-CHIP:00HM,5%,1/10W,DA,TP,2012		R247	2007-000300	R-CHIP:10KOHM,5%,1/10W,DA,TP,2012	
R162	2007-000029	R-CHIP:00HM,5%,1/10W,DA,TP,2012		R249	2007-000300	R-CHIP:10KOHM,5%,1/10W,DA,TP,2012	
R163	2007-000029	R-CHIP:00HM,5%,1/10W,DA,TP,2012		R250	2007-000300	R-CHIP:10KOHM,5%,1/10W,DA,TP,2012	
R164	2007-000029	R-CHIP:00HM,5%,1/10W,DA,TP,2012		R251	2007-000300	R-CHIP:10KOHM,5%,1/10W,DA,TP,2012	
R165	2007-000468	R-CHIP:1KOHM,5%,1/10W,DA,TP,2012		R254	2007-000300	R-CHIP:10KOHM,5%,1/10W,DA,TP,2012	
R166	2007-000029	R-CHIP:00HM,5%,1/10W,DA,TP,2012		R258	2007-000029	R-CHIP:00HM,5%,1/10W,DA,TP,2012	
R167	2007-000468	R-CHIP:1KOHM,5%,1/10W,DA,TP,2012		R259	2007-000029	R-CHIP:00HM,5%,1/10W,DA,TP,2012	
R168	2007-000029	R-CHIP:00HM,5%,1/10W,DA,TP,2012		R275	2007-000409	R-CHIP:15KOHM,5%,1/10W,DA,TP,2012	
R169	2007-000518	R-CHIP:2.7KOHM,5%,1/10W,DA,TP,2012		R278	2007-000872	R-CHIP:4.7KOHM,5%,1/10W,DA,TP,2012	
R170	2007-000518	R-CHIP:2.7KOHM,5%,1/10W,DA,TP,2012		R282	2007-000872	R-CHIP:4.7KOHM,5%,1/10W,DA,TP,2012	
R171	2007-000029	R-CHIP:00HM,5%,1/10W,DA,TP,2012		R286	2007-000781	R-CHIP:330HM,5%,1/10W,DA,TP,2012	
R172	2007-000300	R-CHIP:10KOHM,5%,1/10W,DA,TP,2012		R288	2007-000029	R-CHIP:00HM,5%,1/10W,DA,TP,2012	
R173	2007-000300	R-CHIP:10KOHM,5%,1/10W,DA,TP,2012		R289	2007-000029	R-CHIP:00HM,5%,1/10W,DA,TP,2012	
R174	2007-000029	R-CHIP:00HM,5%,1/10W,DA,TP,2012		R290	2007-000029	R-CHIP:00HM,5%,1/10W,DA,TP,2012	
R175	2007-000029	R-CHIP:00HM,5%,1/10W,DA,TP,2012		R400	2007-000872	R-CHIP:4.7KOHM,5%,1/10W,DA,TP,2012	
R177	2007-000468	R-CHIP:1KOHM,5%,1/10W,DA,TP,2012		R401	2007-000029	R-CHIP:00HM,5%,1/10W,DA,TP,2012	

Electrical Parts List

Loc.No	Part No	Description ; Specification	Remark	Loc.No	Part No	Description ; Specification	Remark
R402	2007-000290	R-CHIP:100OHM,5%,1/10W,DA,TP,2012		R804	2007-000290	R-CHIP:100OHM,5%,1/10W,DA,TP,2012	
R403	2007-000872	R-CHIP:4.7KOHM,5%,1/10W,DA,TP,2012		R806	2007-000290	R-CHIP:100OHM,5%,1/10W,DA,TP,2012	
R404	2007-000026	R-CHIP:200OHM,5%,1/10W,DA,TP,2012		R807	2007-001166	R-CHIP:75OHM,5%,1/10W,DA,TP,2012	
R405	2007-001166	R-CHIP:75OHM,5%,1/10W,DA,TP,2012		R808	2007-000586	R-CHIP:22KOHM,5%,1/10W,DA,TP,2012	
R406	2007-000457	R-CHIP:18KOHM,5%,1/10W,DA,TP,2012		R809	2007-000361	R-CHIP:120HM,5%,1/10W,DA,TP,2012	
R407	2007-000572	R-CHIP:220OHM,5%,1/10W,DA,TP,2012		R810	2007-000586	R-CHIP:22KOHM,5%,1/10W,DA,TP,2012	
R408	2007-000872	R-CHIP:4.7KOHM,5%,1/10W,DA,TP,2012		R811	2007-000931	R-CHIP:470OHM,5%,1/10W,DA,TP,2012	
R409	2007-000931	R-CHIP:470OHM,5%,1/10W,DA,TP,2012		R812	2007-000872	R-CHIP:4.7KOHM,5%,1/10W,DA,TP,2012	
R410	2007-000029	R-CHIP:00HM,5%,1/10W,DA,TP,2012		R813	2007-001133	R-CHIP:68OHM,5%,1/10W,DA,TP,2012	
R411	2007-000872	R-CHIP:4.7KOHM,5%,1/10W,DA,TP,2012		R814	2007-000457	R-CHIP:18KOHM,5%,1/10W,DA,TP,2012	
R412	2007-000290	R-CHIP:100OHM,5%,1/10W,DA,TP,2012		R815	2007-001166	R-CHIP:75OHM,5%,1/10W,DA,TP,2012	
R414	2007-000872	R-CHIP:4.7KOHM,5%,1/10W,DA,TP,2012		R816	2007-000766	R-CHIP:330OHM,5%,1/10W,DA,TP,2012	
R415	2007-000026	R-CHIP:200OHM,5%,1/10W,DA,TP,2012		R817	2007-000872	R-CHIP:4.7KOHM,5%,1/10W,DA,TP,2012	
R417	2007-001166	R-CHIP:75OHM,5%,1/10W,DA,TP,2012		R818	2007-000931	R-CHIP:470OHM,5%,1/10W,DA,TP,2012	
R419	2007-000457	R-CHIP:18KOHM,5%,1/10W,DA,TP,2012		R819	2007-000781	R-CHIP:330HM,5%,1/10W,DA,TP,2012	
R420	2007-000728	R-CHIP:300OHM,5%,1/10W,DA,TP,2012		R820	2007-000451	R-CHIP:180OHM,5%,1/8W,DA,TP,3216	
R421	2007-000872	R-CHIP:4.7KOHM,5%,1/10W,DA,TP,2012		R821	2007-000457	R-CHIP:18KOHM,5%,1/10W,DA,TP,2012	
R422	2007-000931	R-CHIP:470OHM,5%,1/10W,DA,TP,2012		R822	2007-000300	R-CHIP:10KOHM,5%,1/10W,DA,TP,2012	
R430	MF27-00010D	HZ CHIP INDUCTOR-.20x1.25x0.9,-----		R823	2007-000565	R-CHIP:220KOHM,5%,1/10W,DA,TP,2012	
R431	2007-000029	R-CHIP:00HM,5%,1/10W,DA,TP,2012		R824	2007-000565	R-CHIP:220KOHM,5%,1/10W,DA,TP,2012	
R542	2007-000300	R-CHIP:10KOHM,5%,1/10W,DA,TP,2012		R825	2007-000457	R-CHIP:18KOHM,5%,1/10W,DA,TP,2012	
R672	2007-000477	R-CHIP:1MOHM,5%,1/10W,DA,TP,2012		R826	2007-000218	R-CHIP:1.2KOHM,1%,1/10W,DA,TP,2012	
R701	2007-000941	R-CHIP:47KOHM,5%,1/10W,DA,TP,2012		R827	2007-001166	R-CHIP:75OHM,5%,1/10W,DA,TP,2012	
R703	2007-000300	R-CHIP:10KOHM,5%,1/10W,DA,TP,2012		R828	2007-000586	R-CHIP:22KOHM,5%,1/10W,DA,TP,2012	
R705	2007-000518	R-CHIP:2.7KOHM,5%,1/10W,DA,TP,2012		R829	2007-000586	R-CHIP:22KOHM,5%,1/10W,DA,TP,2012	
R706	2007-000710	R-CHIP:3.9KOHM,5%,1/10W,DA,TP,2012		R830	2007-000401	R-CHIP:150OHM,5%,1/10W,DA,TP,2012	
R707	2007-000586	R-CHIP:22KOHM,5%,1/10W,DA,TP,2012		R831	2007-000931	R-CHIP:470OHM,5%,1/10W,DA,TP,2012	
R711	2007-000941	R-CHIP:47KOHM,5%,1/10W,DA,TP,2012		R832	2007-000931	R-CHIP:470OHM,5%,1/10W,DA,TP,2012	
R712	2007-000300	R-CHIP:10KOHM,5%,1/10W,DA,TP,2012		R833	2007-000457	R-CHIP:18KOHM,5%,1/10W,DA,TP,2012	
R714	2007-000518	R-CHIP:2.7KOHM,5%,1/10W,DA,TP,2012		R834	2007-000457	R-CHIP:18KOHM,5%,1/10W,DA,TP,2012	
R715	2007-000710	R-CHIP:3.9KOHM,5%,1/10W,DA,TP,2012		R835	2007-000290	R-CHIP:100OHM,5%,1/10W,DA,TP,2012	
R716	2007-000586	R-CHIP:22KOHM,5%,1/10W,DA,TP,2012		R836	2007-000872	R-CHIP:4.7KOHM,5%,1/10W,DA,TP,2012	
R728	2007-000029	R-CHIP:00HM,5%,1/10W,DA,TP,2012		R837	2007-000447	R-CHIP:180OHM,1%,1/10W,DA,TP,2012	
R729	2007-000029	R-CHIP:00HM,5%,1/10W,DA,TP,2012		R838	2007-000361	R-CHIP:120HM,5%,1/10W,DA,TP,2012	
R733	2007-000029	R-CHIP:00HM,5%,1/10W,DA,TP,2012		R839	2007-000872	R-CHIP:4.7KOHM,5%,1/10W,DA,TP,2012	
R734	2007-000029	R-CHIP:00HM,5%,1/10W,DA,TP,2012		R840	2007-001133	R-CHIP:68OHM,5%,1/10W,DA,TP,2012	
R736	2007-000290	R-CHIP:100OHM,5%,1/10W,DA,TP,2012		R841	2007-000218	R-CHIP:1.2KOHM,1%,1/10W,DA,TP,2012	
R737	2007-000290	R-CHIP:100OHM,5%,1/10W,DA,TP,2012		R842	2007-001166	R-CHIP:75OHM,5%,1/10W,DA,TP,2012	
R738	2007-000290	R-CHIP:100OHM,5%,1/10W,DA,TP,2012		R843	2007-000457	R-CHIP:18KOHM,5%,1/10W,DA,TP,2012	
R739	2007-000290	R-CHIP:100OHM,5%,1/10W,DA,TP,2012		R844	2007-000766	R-CHIP:330OHM,5%,1/10W,DA,TP,2012	
R740	2007-000300	R-CHIP:10KOHM,5%,1/10W,DA,TP,2012		R845	2007-000872	R-CHIP:4.7KOHM,5%,1/10W,DA,TP,2012	
R741	2007-000468	R-CHIP:1KOHM,5%,1/10W,DA,TP,2012		R849	2007-000565	R-CHIP:220KOHM,5%,1/10W,DA,TP,2012	
R743	2007-000300	R-CHIP:10KOHM,5%,1/10W,DA,TP,2012		R850	2007-000565	R-CHIP:220KOHM,5%,1/10W,DA,TP,2012	
R744	2007-000468	R-CHIP:1KOHM,5%,1/10W,DA,TP,2012		R851	2001-000034	R-CARBON:220OHM,5%,1/4W,AA,TP,2.4X6.4MM	
R750	2007-000029	R-CHIP:00HM,5%,1/10W,DA,TP,2012		R852	2001-001114	R-CARBON(S):270OHM,5%,1/2W,AA,TP,2.4X6.4	
R751	2007-000029	R-CHIP:00HM,5%,1/10W,DA,TP,2012		R853	2007-000565	R-CHIP:220KOHM,5%,1/10W,DA,TP,2012	
R752	2007-000029	R-CHIP:00HM,5%,1/10W,DA,TP,2012		R854	2001-000036	R-CARBON:330OHM,5%,1/4W,AA,TP,2.4X6.4MM	
R753	2007-000029	R-CHIP:00HM,5%,1/10W,DA,TP,2012		R855	2001-000036	R-CARBON:330OHM,5%,1/4W,AA,TP,2.4X6.4MM	
R755	2007-000872	R-CHIP:4.7KOHM,5%,1/10W,DA,TP,2012		R856	2007-000218	R-CHIP:1.2KOHM,1%,1/10W,DA,TP,2012	
R756	2007-000872	R-CHIP:4.7KOHM,5%,1/10W,DA,TP,2012		R857	2007-000872	R-CHIP:4.7KOHM,5%,1/10W,DA,TP,2012	
R757	2007-000029	R-CHIP:00HM,5%,1/10W,DA,TP,2012		R858	2007-000872	R-CHIP:4.7KOHM,5%,1/10W,DA,TP,2012	
R758	2007-000872	R-CHIP:4.7KOHM,5%,1/10W,DA,TP,2012		R859	2007-000565	R-CHIP:220KOHM,5%,1/10W,DA,TP,2012	
R761	2007-000029	R-CHIP:00HM,5%,1/10W,DA,TP,2012		R860	2007-000300	R-CHIP:10KOHM,5%,1/10W,DA,TP,2012	
R769	2007-000029	R-CHIP:00HM,5%,1/10W,DA,TP,2012		R861	2007-000300	R-CHIP:10KOHM,5%,1/10W,DA,TP,2012	
R790	2007-000029	R-CHIP:00HM,5%,1/10W,DA,TP,2012		R862	2007-000300	R-CHIP:10KOHM,5%,1/10W,DA,TP,2012	
R791	2007-000029	R-CHIP:00HM,5%,1/10W,DA,TP,2012		R863	2007-000218	R-CHIP:1.2KOHM,1%,1/10W,DA,TP,2012	
R792	2007-000029	R-CHIP:00HM,5%,1/10W,DA,TP,2012		R864	2007-000290	R-CHIP:100OHM,5%,1/10W,DA,TP,2012	
R793	2007-000029	R-CHIP:00HM,5%,1/10W,DA,TP,2012		R865	2007-000872	R-CHIP:4.7KOHM,5%,1/10W,DA,TP,2012	
R794	2007-000029	R-CHIP:00HM,5%,1/10W,DA,TP,2012		R866	2007-000361	R-CHIP:120HM,5%,1/10W,DA,TP,2012	
R795	2007-000029	R-CHIP:00HM,5%,1/10W,DA,TP,2012		R867	2007-000872	R-CHIP:4.7KOHM,5%,1/10W,DA,TP,2012	
R796	2007-000029	R-CHIP:00HM,5%,1/10W,DA,TP,2012		R868	2007-000300	R-CHIP:10KOHM,5%,1/10W,DA,TP,2012	
R797	2007-000029	R-CHIP:00HM,5%,1/10W,DA,TP,2012		R869	2007-001133	R-CHIP:68OHM,5%,1/10W,DA,TP,2012	
R798	2007-000029	R-CHIP:00HM,5%,1/10W,DA,TP,2012		R870	2007-001166	R-CHIP:75OHM,5%,1/10W,DA,TP,2012	
R799	2007-000029	R-CHIP:00HM,5%,1/10W,DA,TP,2012		R871	2007-000457	R-CHIP:18KOHM,5%,1/10W,DA,TP,2012	
R801	2007-000872	R-CHIP:4.7KOHM,5%,1/10W,DA,TP,2012		R872	2007-000766	R-CHIP:330OHM,5%,1/10W,DA,TP,2012	
R803	2007-000300	R-CHIP:10KOHM,5%,1/10W,DA,TP,2012		R873	2007-000872	R-CHIP:4.7KOHM,5%,1/10W,DA,TP,2012	

Loc.No	Part No	Description ; Specification	Remark	Loc.No	Part No	Description ; Specification	Remark
R874	2007-000468	R-CHIP:1KOHM,5%,1/10W,DA,TP,2012		C213	2203-000975	C-CERAMIC,CHIP:47nf,10%,25V,X7R,TP,1608,	
R875	2007-000931	R-CHIP:470OHM,5%,1/10W,DA,TP,2012		C214	2203-000975	C-CERAMIC,CHIP:47nf,10%,25V,X7R,TP,1608,	
R877	2007-001166	R-CHIP:750HM,5%,1/10W,DA,TP,2012		C215	2203-000975	C-CERAMIC,CHIP:47nf,10%,25V,X7R,TP,1608,	
R878	2007-000300	R-CHIP:10KOHM,5%,1/10W,DA,TP,2012		C216	2203-000975	C-CERAMIC,CHIP:47nf,10%,25V,X7R,TP,1608,	
R879	2007-001166	R-CHIP:750HM,5%,1/10W,DA,TP,2012		C217	2203-000975	C-CERAMIC,CHIP:47nf,10%,25V,X7R,TP,1608,	
R880	2007-000931	R-CHIP:470OHM,5%,1/10W,DA,TP,2012		C218	2203-000975	C-CERAMIC,CHIP:47nf,10%,25V,X7R,TP,1608,	
R881	2007-000586	R-CHIP:22KOHM,5%,1/10W,DA,TP,2012		C219	2203-000975	C-CERAMIC,CHIP:47nf,10%,25V,X7R,TP,1608,	
R882	2007-000586	R-CHIP:22KOHM,5%,1/10W,DA,TP,2012		C220	2203-005148	C-CERAMIC,CHIP:100nf,10%,16V,X7R,TP,1608	
R883	2007-000290	R-CHIP:100OHM,5%,1/10W,DA,TP,2012		C221	2402-000179	C-AL_SMD:47uf,20%,16V,GP,TP,6.6x6.6x5.4	
R884	2007-000218	R-CHIP:1.2KOHM,1%,1/10W,DA,TP,2012		C222	2203-005148	C-CERAMIC,CHIP:100nf,10%,16V,X7R,TP,1608	
R885	2007-000872	R-CHIP:4.7KOHM,5%,1/10W,DA,TP,2012		C223	2203-005148	C-CERAMIC,CHIP:100nf,10%,16V,X7R,TP,1608	
R886	2007-000872	R-CHIP:4.7KOHM,5%,1/10W,DA,TP,2012		C224	2402-000179	C-AL_SMD:47uf,20%,16V,GP,TP,6.6x6.6x5.4	
R887	2007-000361	R-CHIP:120HM,5%,1/10W,DA,TP,2012		C225	2203-005148	C-CERAMIC,CHIP:100nf,10%,16V,X7R,TP,1608	
R888	2007-000931	R-CHIP:470OHM,5%,1/10W,DA,TP,2012		C226	2203-000975	C-CERAMIC,CHIP:47nf,10%,25V,X7R,TP,1608,	
R889	2007-000026	R-CHIP:200OHM,5%,1/10W,DA,TP,2012		C3	2203-001086	C-CERAMIC,CHIP:0.005nf,0.25pf,50V,NPO,TP	
R890	2007-000457	R-CHIP:18KOHM,5%,1/10W,DA,TP,2012		C5	2203-000440	C-CERAMIC,CHIP:1nf,10%,50V,X7R,TP,1608,-	
R891	2007-000607	R-CHIP:240OHM,5%,1/10W,DA,TP,2012		C6	2203-000257	C-CERAMIC,CHIP:10nf,10%,50V,X7R,TP,1608	
R892	2007-000872	R-CHIP:4.7KOHM,5%,1/10W,DA,TP,2012		C7	2203-000704	C-CERAMIC,CHIP:0.002nf,0.25pf,50V,RH,TP,	
R893	2007-000931	R-CHIP:470OHM,5%,1/10W,DA,TP,2012		C9	2203-000257	C-CERAMIC,CHIP:10nf,10%,50V,X7R,TP,1608	
R894	2007-000029	R-CHIP:0OHM,5%,1/10W,DA,TP,2012		J101	MF70-00193A	SHIELD-EUROSTAR,ET (#50-50),0.4,-54,	
R896	2007-000245	R-CHIP:1.5KOHM,5%,1/8W,DA,TP,3216		J201	3711-004724	CONNECTOR-HEADER:NOVALL,31P,1R,2.5mm,ANG	
RP200	1 2011-000151	R-NETWORK:100ohm,5%,63mW,L,CHIP8P,TP		L102	MF27-00010D	HZ CHIP INDUCTOR:-2.0x1.25x0.9,-,-,-,-,-,	
RP200	2 2011-000151	R-NETWORK:100ohm,5%,63mW,L,CHIP8P,TP		L103	MF27-00010D	HZ CHIP INDUCTOR:-2.0x1.25x0.9,-,-,-,-,-,	
RP200	3 2011-000151	R-NETWORK:100ohm,5%,63mW,L,CHIP8P,TP		L104	MF27-00010D	HZ CHIP INDUCTOR:-2.0x1.25x0.9,-,-,-,-,-,	
RP200	4 2011-000151	R-NETWORK:100ohm,5%,63mW,L,CHIP8P,TP		L105	MF27-00010D	HZ CHIP INDUCTOR:-2.0x1.25x0.9,-,-,-,-,-,	
RP200	5 2011-000151	R-NETWORK:100ohm,5%,63mW,L,CHIP8P,TP		L201	MF27-00010D	HZ CHIP INDUCTOR:-2.0x1.25x0.9,-,-,-,-,-,	
RP200	6 2011-000151	R-NETWORK:100ohm,5%,63mW,L,CHIP8P,TP		L202	3301-000287	CORE-FERRITE BEAD:AA,3.5x1.0x6.0mm,1500,	
RP200	7 2011-000151	R-NETWORK:100ohm,5%,63mW,L,CHIP8P,TP		Q1	0501-000519	TR-SMALL SIGNAL:BFP183,NPN,450mV,SOT-143	
T1001	MF40-00124A	TUNER-SILICON:ICTM200009,-,PAL-MULTI,-,-		R1	2007-000070	R-CHIP:0ohm,5%,1/16W,DA,TP,1608	
C1	2203-000704	C-CERAMIC,CHIP:0.002nf,0.25pf,50V,RH,TP,		R101	2007-000122	R-CHIP:1.2Kohm,5%,1/16W,DA,TP,1608	
C10	2203-000440	C-CERAMIC,CHIP:1nf,10%,50V,X7R,TP,1608,-		R102	2007-000043	R-CHIP:1Kohm,1%,1/16W,DA,TP,1608	
C103	2203-000815	C-CERAMIC,CHIP:0.033nf,5%,50V,NPO,TP,160		R105	2007-000309	R-CHIP:10ohm,5%,1/16W,DA,TP,1608	
C105	2203-000815	C-CERAMIC,CHIP:0.033nf,5%,50V,NPO,TP,160		R2	2007-000120	R-CHIP:680ohm,5%,1/16W,DA,TP,1608	
C106	2203-000815	C-CERAMIC,CHIP:0.033nf,5%,50V,NPO,TP,160		R201	2007-000971	R-CHIP:5.1ohm,5%,1/16W,DA,TP,1608	
C107	2203-005148	C-CERAMIC,CHIP:100nf,10%,16V,X7R,TP,1608		R202	2007-000052	R-CHIP:10Kohm,1%,1/16W,DA,TP,1608	
C108	2203-000815	C-CERAMIC,CHIP:0.033nf,5%,50V,NPO,TP,160		R203	2007-000729	R-CHIP:300ohm,5%,1/16W,DA,TP,1608	
C109	2203-000440	C-CERAMIC,CHIP:1nf,10%,50V,X7R,TP,1608,-		R204	2007-000729	R-CHIP:300ohm,5%,1/16W,DA,TP,1608	
C11	2203-000440	C-CERAMIC,CHIP:1nf,10%,50V,X7R,TP,1608,-		R205	2007-000729	R-CHIP:300ohm,5%,1/16W,DA,TP,1608	
C110	2203-000440	C-CERAMIC,CHIP:1nf,10%,50V,X7R,TP,1608,-		R206	2007-000729	R-CHIP:300ohm,5%,1/16W,DA,TP,1608	
C111	2203-005171	C-CERAMIC,CHIP:1uf,10%,16V,X7R,TP,2012,-		R207	2007-000052	R-CHIP:10Kohm,1%,1/16W,DA,TP,1608	
C112	2203-005171	C-CERAMIC,CHIP:1uf,10%,16V,X7R,TP,2012,-		R208	2007-000729	R-CHIP:300ohm,5%,1/16W,DA,TP,1608	
C113	2203-005171	C-CERAMIC,CHIP:1uf,10%,16V,X7R,TP,2012,-		R209	2007-000084	R-CHIP:4.7Kohm,5%,1/16W,DA,TP,1608	
C114	2203-000440	C-CERAMIC,CHIP:1nf,10%,50V,X7R,TP,1608,-		R210	2007-000070	R-CHIP:0ohm,5%,1/16W,DA,TP,1608	
C115	2203-000800	C-CERAMIC,CHIP:33nf,10%,25V,X7R,TP,1608		R211	2007-000074	R-CHIP:100ohm,5%,1/16W,DA,TP,1608	
C116	2203-001103	C-CERAMIC,CHIP:6.8nf,10%,50V,X7R,TP,1608		R212	2007-000074	R-CHIP:100ohm,5%,1/16W,DA,TP,1608	
C117	2203-000257	C-CERAMIC,CHIP:10nf,10%,50V,X7R,TP,1608		R3	2007-000081	R-CHIP:2.7Kohm,5%,1/16W,DA,TP,1608	
C118	2402-001071	C-AL_SMD:220uf,20%,10V,GP,TP,8.3x8.3x6.		R4	2007-000028	R-CHIP:390HM,5%,1/10W,DA,TP,2012	
C119	2203-000257	C-CERAMIC,CHIP:10nf,10%,50V,X7R,TP,1608		R5	2007-001167	R-CHIP:75ohm,5%,1/16W,DA,TP,1608	
C12	2203-000257	C-CERAMIC,CHIP:10nf,10%,50V,X7R,TP,1608		R6	2007-001167	R-CHIP:75ohm,5%,1/16W,DA,TP,1608	
C120	2203-005171	C-CERAMIC,CHIP:1uf,10%,16V,X7R,TP,2012,-		R8	2007-000113	R-CHIP:33ohm,5%,1/16W,DA,TP,1608	
C121	2203-005171	C-CERAMIC,CHIP:1uf,10%,16V,X7R,TP,2012,-		R9	2007-000070	R-CHIP:0ohm,5%,1/16W,DA,TP,1608	
C14	2203-000236	C-CERAMIC,CHIP:0.1nf,5%,50V,NPO,TP,1608		T101	MD26-00107A	TRANS:BTB003-1,-,5P,5.6uh,-,-,-,-,-,	
C16	2203-001086	C-CERAMIC,CHIP:0.005nf,0.25pf,50V,NPO,TP		U1	1204-001686	IC-TUNER:1821,QFP,48P,276MIL,PALSTIC,5,	
C2	2203-001086	C-CERAMIC,CHIP:0.005nf,0.25pf,50V,NPO,TP		U2	1204-001685	IC-DECODER:HM1221,QFP,100P,-,PLRSTIC,3,	
C201	2402-000179	C-AL_SMD:47uf,20%,16V,GP,TP,6.6x6.6x5.4		Y1	2801-004002	CRYSTAL-UNIT:10.111MHz,30ppm,28-AAA,20pf	
C202	2203-005148	C-CERAMIC,CHIP:100nf,10%,16V,X7R,TP,1608		T801	3722-001345	JACK-SCART:42P/2R,-,SN,BLK,-	
C203	2203-005148	C-CERAMIC,CHIP:100nf,10%,16V,X7R,TP,1608		T802	3722-001735	JACK-PIN:4P/4C,8.3PI,NI,WHY/YEL/RED/BLK	
C204	2203-005148	C-CERAMIC,CHIP:100nf,10%,16V,X7R,TP,1608		U100	1204-001809	IC-ENCODER/DECODER:STI5512AWE,BGA,256P,1	
C205	2203-000236	C-CERAMIC,CHIP:0.1nf,5%,50V,NPO,TP,1608		U1004	1203-000157	IC-POSI:ADJUST REG.-317,TO-220,3P,-,PLAS	
C206	2203-000236	C-CERAMIC,CHIP:0.1nf,5%,50V,NPO,TP,1608		U101	0801-002536	IC-CMOS LOGIC:74LCX04,INVERTER,SOIC,14P,	
C207	2203-000236	C-CERAMIC,CHIP:0.1nf,5%,50V,NPO,TP,1608		U102	1203-001758	IC-RESET:1813,SOT-23,3P,-,PLASTIC,-,0.5/	
C208	2203-005148	C-CERAMIC,CHIP:100nf,10%,16V,X7R,TP,1608		U103	0801-001090	IC-CMOS LOGIC:74HC14,SCHMITT INVERTER,S	
C209	2203-005148	C-CERAMIC,CHIP:100nf,10%,16V,X7R,TP,1608		U104	0803-000111	IC-TTL:74F138,1-OF-8 ENCODER/DEMUX,SO	
C210	2203-000975	C-CERAMIC,CHIP:47nf,10%,25V,X7R,TP,1608,		U105	0801-002370	IC-CMOS LOGIC:74AC377,D FILP-FLOP,TSSOP,	
C211	2203-000975	C-CERAMIC,CHIP:47nf,10%,25V,X7R,TP,1608,		U106	0801-002370	IC-CMOS LOGIC:74AC377,D FILP-FLOP,TSSOP,	
C212	2203-000975	C-CERAMIC,CHIP:47nf,10%,25V,X7R,TP,1608,		U108	1107-001238	IC-FLASH MEMORY:29LV160,2Mx8/1Mx16Bit,TS	

Electrical Parts List

Loc.No	Part No	Description ; Specification	Remark	Loc.No	Part No	Description ; Specification	Remark
U112	1105-001390	IC-DRAM:K4S641632F,4X1MX16BIT,TSOP(I)		C130	2203-000206	C-CERAMIC,CHIP:100nF,10%,50V,X7R,TP,2012	
U113	1103-001090	IC-EEPROM:24C128,16Kx8BIT,SOP8P,150MIL,		C132	2203-000206	C-CERAMIC,CHIP:100nF,10%,50V,X7R,TP,2012	
U114	1103-001090	IC-EEPROM:24C128,16Kx8BIT,SOP8P,150MIL,		C133	2203-000206	C-CERAMIC,CHIP:100nF,10%,50V,X7R,TP,2012	
U201	1006-000347	IC-LINE TRANSCEIVER:202,SOP,16P,150MIL,D		C139	2203-000206	C-CERAMIC,CHIP:100nF,10%,50V,X7R,TP,2012	
U70	1203-001455	IC-POSIFIXED REG.:1117,DPAK,3P,265MIL,P		C140	2203-000206	C-CERAMIC,CHIP:100nF,10%,50V,X7R,TP,2012	
U700	1002-001059	IC-D/A CONVERTER:CS4330-KS,18BIT,SOP8P,		C141	2203-000206	C-CERAMIC,CHIP:100nF,10%,50V,X7R,TP,2012	
U701	1201-000167	IC-OP AMP:358,SOP8P,150MIL,DUAL,100V/mV		C142	2203-000206	C-CERAMIC,CHIP:100nF,10%,50V,X7R,TP,2012	
U71	1203-001455	IC-POSIFIXED REG.:1117,DPAK,3P,265MIL,P		C150	2203-000206	C-CERAMIC,CHIP:100nF,10%,50V,X7R,TP,2012	
U72	1203-000273	IC-POSIFIXED REG.:7805,TO-220,3P,-,PLAS		C151	2203-000206	C-CERAMIC,CHIP:100nF,10%,50V,X7R,TP,2012	
U750	1205-000267	IC-TRANSMITTER:STA020D,S0,24P,295MIL,-,3		C152	2203-000206	C-CERAMIC,CHIP:100nF,10%,50V,X7R,TP,2012	
U801	1001-000172	IC-ANALOG SWITCH:4053,SPOT CMOS,SOP,16P,		C153	2203-000206	C-CERAMIC,CHIP:100nF,10%,50V,X7R,TP,2012	
VD100	0405-000117	DIODE-VARACTOR:1SV215,30V,10nA,USC,TP		C154	2203-000784	C-CERAMIC,CHIP:0.33nF,5%,50V,NPO,TP,2012	
VD101	0405-000117	DIODE-VARACTOR:1SV215,30V,10nA,USC,TP		C155	2203-000784	C-CERAMIC,CHIP:0.33nF,5%,50V,NPO,TP,2012	
X100	2801-003365	CRYSTAL-UNIT:27MHZ,20P,PM,28-AAM,17PF,350		C400	2203-000206	C-CERAMIC,CHIP:100nF,10%,50V,X7R,TP,2012	
X1001	1404-000154	THERMISTOR-PTC:0.47ohm,-,60Vac,40A,1.8		C402	2203-001002	C-CERAMIC,CHIP:0.047nF,5%,50V,NPO,TP,201	
X800	1404-000233	THERMISTOR-PTC:0.48ohm,-,60Vac,40A,1.3		C404	2203-000206	C-CERAMIC,CHIP:100nF,10%,50V,X7R,TP,2012	
				C405	2203-001002	C-CERAMIC,CHIP:0.047nF,5%,50V,NPO,TP,201	
3	MF95-10004E	MAIN PCB ASSY:SRF02901FA,DSR9500(2C)		C420	2203-000206	C-CERAMIC,CHIP:100nF,10%,50V,X7R,TP,2012	
BD103	2007-001043	R-CHIP:560HM,5%,1/10W,DA,TP,2012		C500	2203-000206	C-CERAMIC,CHIP:100nF,10%,50V,X7R,TP,2012	
BD104	2007-000029	R-CHIP:00HM,5%,1/10W,DA,TP,2012		C501	2203-000206	C-CERAMIC,CHIP:100nF,10%,50V,X7R,TP,2012	
BD105	2007-000029	R-CHIP:00HM,5%,1/10W,DA,TP,2012		C502	2203-000206	C-CERAMIC,CHIP:100nF,10%,50V,X7R,TP,2012	
BD106	2007-000029	R-CHIP:00HM,5%,1/10W,DA,TP,2012		C503	2203-000206	C-CERAMIC,CHIP:100nF,10%,50V,X7R,TP,2012	
BD107	2007-000029	R-CHIP:00HM,5%,1/10W,DA,TP,2012		C504	2203-000206	C-CERAMIC,CHIP:100nF,10%,50V,X7R,TP,2012	
BD108	2007-001043	R-CHIP:560HM,5%,1/10W,DA,TP,2012		C505	2203-000206	C-CERAMIC,CHIP:100nF,10%,50V,X7R,TP,2012	
BD109	2203-001002	C-CERAMIC,CHIP:0.047nF,5%,50V,NPO,TP,201		C506	2203-000206	C-CERAMIC,CHIP:100nF,10%,50V,X7R,TP,2012	
BD110	MF27-00010D	HZ CHIP INDUCTOR:-2.0k1.25x0.9,-,,-,,-		C507	2203-000206	C-CERAMIC,CHIP:100nF,10%,50V,X7R,TP,2012	
BD70	3301-000287	CORE-FERRITE BEAD:AA,3.5x1.0x6.0mm,1500,		C508	2203-000206	C-CERAMIC,CHIP:100nF,10%,50V,X7R,TP,2012	
BD700	3301-000287	CORE-FERRITE BEAD:AA,3.5x1.0x6.0mm,1500,		C509	2203-000206	C-CERAMIC,CHIP:100nF,10%,50V,X7R,TP,2012	
BD71	3301-000287	CORE-FERRITE BEAD:AA,3.5x1.0x6.0mm,1500,		C510	2203-000206	C-CERAMIC,CHIP:100nF,10%,50V,X7R,TP,2012	
BD72	3301-000287	CORE-FERRITE BEAD:AA,3.5x1.0x6.0mm,1500,		C511	2203-000206	C-CERAMIC,CHIP:100nF,10%,50V,X7R,TP,2012	
BD73	3301-000287	CORE-FERRITE BEAD:AA,3.5x1.0x6.0mm,1500,		C512	2203-000426	C-CERAMIC,CHIP:0.018nF,5%,50V,NPO,TP,160	
BD74	3301-000287	CORE-FERRITE BEAD:AA,3.5x1.0x6.0mm,1500,		C513	2203-000426	C-CERAMIC,CHIP:0.018nF,5%,50V,NPO,TP,160	
BD75	3301-000287	CORE-FERRITE BEAD:AA,3.5x1.0x6.0mm,1500,		C514	2203-000426	C-CERAMIC,CHIP:0.018nF,5%,50V,NPO,TP,160	
BD801	3301-000287	CORE-FERRITE BEAD:AA,3.5x1.0x6.0mm,1500,		C515	2203-000426	C-CERAMIC,CHIP:0.018nF,5%,50V,NPO,TP,160	
C100	2203-000206	C-CERAMIC,CHIP:100nF,10%,50V,X7R,TP,2012		C516	2203-000426	C-CERAMIC,CHIP:0.018nF,5%,50V,NPO,TP,160	
C1001	2203-000206	C-CERAMIC,CHIP:100nF,10%,50V,X7R,TP,2012		C517	2203-000426	C-CERAMIC,CHIP:0.018nF,5%,50V,NPO,TP,160	
C1007	2203-000206	C-CERAMIC,CHIP:100nF,10%,50V,X7R,TP,2012		C518	2203-000426	C-CERAMIC,CHIP:0.018nF,5%,50V,NPO,TP,160	
C1008	2203-000206	C-CERAMIC,CHIP:100nF,10%,50V,X7R,TP,2012		C519	2203-000426	C-CERAMIC,CHIP:0.018nF,5%,50V,NPO,TP,160	
C1009	2203-000206	C-CERAMIC,CHIP:100nF,10%,50V,X7R,TP,2012		C520	2203-000426	C-CERAMIC,CHIP:0.018nF,5%,50V,NPO,TP,160	
C101	2203-000206	C-CERAMIC,CHIP:100nF,10%,50V,X7R,TP,2012		C521	2203-000426	C-CERAMIC,CHIP:0.018nF,5%,50V,NPO,TP,160	
C102	2203-000206	C-CERAMIC,CHIP:100nF,10%,50V,X7R,TP,2012		C522	2203-000426	C-CERAMIC,CHIP:0.018nF,5%,50V,NPO,TP,160	
C103	2203-000206	C-CERAMIC,CHIP:100nF,10%,50V,X7R,TP,2012		C523	2203-000426	C-CERAMIC,CHIP:0.018nF,5%,50V,NPO,TP,160	
C104	2203-000206	C-CERAMIC,CHIP:100nF,10%,50V,X7R,TP,2012		C524	2203-000426	C-CERAMIC,CHIP:0.018nF,5%,50V,NPO,TP,160	
C105	2203-000206	C-CERAMIC,CHIP:100nF,10%,50V,X7R,TP,2012		C525	2203-000426	C-CERAMIC,CHIP:0.018nF,5%,50V,NPO,TP,160	
C106	2203-000206	C-CERAMIC,CHIP:100nF,10%,50V,X7R,TP,2012		C526	2203-000206	C-CERAMIC,CHIP:100nF,10%,50V,X7R,TP,2012	
C1066	2401-001415	C-AL:470uF,20%,35V,GP,TP,10x20.5		C527	2203-000426	C-CERAMIC,CHIP:0.018nF,5%,50V,NPO,TP,160	
C107	2203-000206	C-CERAMIC,CHIP:100nF,10%,50V,X7R,TP,2012		C528	2203-000426	C-CERAMIC,CHIP:0.018nF,5%,50V,NPO,TP,160	
C108	2203-000206	C-CERAMIC,CHIP:100nF,10%,50V,X7R,TP,2012		C531	2203-000206	C-CERAMIC,CHIP:100nF,10%,50V,X7R,TP,2012	
C109	2203-000206	C-CERAMIC,CHIP:100nF,10%,50V,X7R,TP,2012		C532	2203-000206	C-CERAMIC,CHIP:100nF,10%,50V,X7R,TP,2012	
C110	2203-000206	C-CERAMIC,CHIP:100nF,10%,50V,X7R,TP,2012		C533	2203-000426	C-CERAMIC,CHIP:0.018nF,5%,50V,NPO,TP,160	
C111	2203-000206	C-CERAMIC,CHIP:100nF,10%,50V,X7R,TP,2012		C660	2203-000444	C-CERAMIC,CHIP:1nF,10%,50V,X7R,TP,2012,-	
C112	2203-000206	C-CERAMIC,CHIP:100nF,10%,50V,X7R,TP,2012		C70	2203-000206	C-CERAMIC,CHIP:100nF,10%,50V,X7R,TP,2012	
C113	2203-001245	C-CERAMIC,CHIP:0.082nF,5%,50V,NPO,TP,201		C701	2203-000206	C-CERAMIC,CHIP:100nF,10%,50V,X7R,TP,2012	
C114	2203-001245	C-CERAMIC,CHIP:0.082nF,5%,50V,NPO,TP,201		C702	2203-000595	C-CERAMIC,CHIP:0.22nF,5%,50V,NPO,TP,2012	
C115	2203-000609	C-CERAMIC,CHIP:22nF,10%,50V,X7R,TP,2012		C705	2401-000273	AL CAPACITOR:100uF,20%,16V,GP,-,6.3x11.2	
C116	2203-000206	C-CERAMIC,CHIP:100nF,10%,50V,X7R,TP,2012		C706	2203-000206	C-CERAMIC,CHIP:100nF,10%,50V,X7R,TP,2012	
C117	2203-000206	C-CERAMIC,CHIP:100nF,10%,50V,X7R,TP,2012		C707	2301-000106	C-FILM,PEF:1.5nF,0.05,100V,TP,10.5*12.5*	
C118	2203-000206	C-CERAMIC,CHIP:100nF,10%,50V,X7R,TP,2012		C709	2203-000595	C-CERAMIC,CHIP:0.22nF,5%,50V,NPO,TP,2012	
C119	2203-000206	C-CERAMIC,CHIP:100nF,10%,50V,X7R,TP,2012		C71	2203-000206	C-CERAMIC,CHIP:100nF,10%,50V,X7R,TP,2012	
C122	2203-000206	C-CERAMIC,CHIP:100nF,10%,50V,X7R,TP,2012		C712	2301-000106	C-FILM,PEF:1.5nF,0.05,100V,TP,10.5*12.5*	
C123	2203-000206	C-CERAMIC,CHIP:100nF,10%,50V,X7R,TP,2012		C72	2203-000206	C-CERAMIC,CHIP:100nF,10%,50V,X7R,TP,2012	
C124	2203-000206	C-CERAMIC,CHIP:100nF,10%,50V,X7R,TP,2012		C73	2203-000206	C-CERAMIC,CHIP:100nF,10%,50V,X7R,TP,2012	
C126	2203-000444	C-CERAMIC,CHIP:1nF,10%,50V,X7R,TP,2012,-		C74	2203-000206	C-CERAMIC,CHIP:100nF,10%,50V,X7R,TP,2012	
C127	2203-000206	C-CERAMIC,CHIP:100nF,10%,50V,X7R,TP,2012		C750	2203-000206	C-CERAMIC,CHIP:100nF,10%,50V,X7R,TP,2012	
C128	2203-000206	C-CERAMIC,CHIP:100nF,10%,50V,X7R,TP,2012		C801	2203-000595	C-CERAMIC,CHIP:0.22nF,5%,50V,NPO,TP,2012	
C129	2203-000206	C-CERAMIC,CHIP:100nF,10%,50V,X7R,TP,2012		C802	2203-000206	C-CERAMIC,CHIP:100nF,10%,50V,X7R,TP,2012	

Loc.No	Part No	Description ; Specification	Remark	Loc.No	Part No	Description ; Specification	Remark
C803	2203-001002	C-CERAMIC,CHIP:0.047nF,5%,50V,NPO,TP,201		CP821	2401-000273	AL CAPACITOR:100uF,20%,16V,GP,-,6.3x11,2	
C804	2401-001287	C-AL:47uF,20%,16V,GP,TP5x12mm,-		CP823	2401-000273	AL CAPACITOR:100uF,20%,16V,GP,-,6.3x11,2	
C805	2401-001287	C-AL:47uF,20%,16V,GP,TP5x12mm,-		CP824	2401-000273	AL CAPACITOR:100uF,20%,16V,GP,-,6.3x11,2	
C806	2203-000260	C-CERAMIC,CHIP:10nF,10%,50V,X7R,TP,2012		CP825	2401-000273	AL CAPACITOR:100uF,20%,16V,GP,-,6.3x11,2	
C807	2203-000260	C-CERAMIC,CHIP:10nF,10%,50V,X7R,TP,2012		CP826	2401-000037	C-AL:470uF,20%,16V,GP,TP,8x11.5,5	
C808	2203-000444	C-CERAMIC,CHIP:1nF,10%,50V,X7R,TP,2012,-		CP827	2401-000408	C-AL:10uF,20%,16V,GP,TP,3.5x5,2.5	
C809	2203-000260	C-CERAMIC,CHIP:10nF,10%,50V,X7R,TP,2012		CP828	2401-000037	C-AL:470uF,20%,16V,GP,TP,8x11.5,5	
C810	2203-000206	C-CERAMIC,CHIP:100nF,10%,50V,X7R,TP,2012		CP829	2401-000273	AL CAPACITOR:100uF,20%,16V,GP,-,6.3x11,2	
C811	2203-000595	C-CERAMIC,CHIP:0.22nF,5%,50V,NPO,TP,2012		CP830	2401-000273	AL CAPACITOR:100uF,20%,16V,GP,-,6.3x11,2	
C812	2203-000260	C-CERAMIC,CHIP:10nF,10%,50V,X7R,TP,2012		CP831	2401-000677	C-AL:2200uF,20%,10V,GP,TP,10x20mm,5	
C813	2203-000260	C-CERAMIC,CHIP:10nF,10%,50V,X7R,TP,2012		CP832	2401-000677	C-AL:2200uF,20%,10V,GP,TP,10x20mm,5	
C814	2203-001002	C-CERAMIC,CHIP:0.047nF,5%,50V,NPO,TP,201		CP833	2401-001287	C-AL:47uF,20%,16V,GP,TP,5x12mm,-	
C815	2203-000206	C-CERAMIC,CHIP:100nF,10%,50V,X7R,TP,2012		CP834	2401-001287	C-AL:47uF,20%,16V,GP,TP,5x12mm,-	
C816	2203-000595	C-CERAMIC,CHIP:0.22nF,5%,50V,NPO,TP,2012		CP835	2401-000037	C-AL:470uF,20%,16V,GP,TP,8x11.5,5	
C817	2203-000206	C-CERAMIC,CHIP:100nF,10%,50V,X7R,TP,2012		CP836	2401-000010	C-AL:220uF,20%,16V,GP,-,6.3x11mm,2	
C818	2203-000260	C-CERAMIC,CHIP:10nF,10%,50V,X7R,TP,2012		D1002	0402-000129	DIODE-RECTIFIER:1N4003,200V,1A,DO-41,TP	
C819	2203-000260	C-CERAMIC,CHIP:10nF,10%,50V,X7R,TP,2012		D1003	0402-000129	DIODE-RECTIFIER:1N4003,200V,1A,DO-41,TP	
C820	2203-001002	C-CERAMIC,CHIP:0.047nF,5%,50V,NPO,TP,201		D801	0401-000133	DIODE-SWITCHING:RLS4148,100V,200MA,SOD-8	
C822	2203-000595	C-CERAMIC,CHIP:0.22nF,5%,50V,NPO,TP,2012		D804	0401-000133	DIODE-SWITCHING:RLS4148,100V,200MA,SOD-8	
C823	2203-000206	C-CERAMIC,CHIP:100nF,10%,50V,X7R,TP,2012		D805	0401-000133	DIODE-SWITCHING:RLS4148,100V,200MA,SOD-8	
C824	2203-000206	C-CERAMIC,CHIP:100nF,10%,50V,X7R,TP,2012		D806	0401-000133	DIODE-SWITCHING:RLS4148,100V,200MA,SOD-8	
C828	2203-000444	C-CERAMIC,CHIP:1nF,10%,50V,X7R,TP,2012,-		D807	0401-000133	DIODE-SWITCHING:RLS4148,100V,200MA,SOD-8	
C829	2203-001002	C-CERAMIC,CHIP:0.047nF,5%,50V,NPO,TP,201		D815	0501-000462	TR-SMALL SIGNAL:MMBT2907A,PNP,350MW,SOT-	
C835	2401-000273	AL CAPACITOR:100uF,20%,16V,GP,-,6.3x11,2		D816	0403-001390	DIODE-ZENER:RLZ188,16.82-17.7V,500mW,LL-	
CON501	3709-001141	CONNECTOR-CARD EDGE:136P,1.27mm,ANGLE,AU		D817	0403-001390	DIODE-ZENER:RLZ188,16.82-17.7V,500mW,LL-	
CP101	2401-000037	C-AL:470uF,20%,16V,GP,TP,8x11.5,5		DB201	3701-000320	CONNECTOR-DSUB:9P,2R,FEMALE,ANGLE,AUF	
CP400	2401-000273	AL CAPACITOR:100uF,20%,16V,GP,-,6.3x11,2		J100	3711-002633	CONNECTOR-HEADER:NOWALL,2P,1R,2.54mm,STR	
CP401	2401-000273	AL CAPACITOR:100uF,20%,16V,GP,-,6.3x11,2		J103	3711-000754	CONNECTOR-HEADER:BOX,20P,2R,2.54mm,STRAI	
CP402	2401-000273	AL CAPACITOR:100uF,20%,16V,GP,-,6.3x11,2		J104	3711-000577	CONNECTOR-HEADER:BOX,10P,1R,2.5mm,STRAIG	
CP404	2401-000273	AL CAPACITOR:100uF,20%,16V,GP,-,6.3x11,2		J400	MF39-00014A	SUPER VIDEO-JACK:4016-4P-MR,-,-,-,-,-,-,-,-,-	
CP405	2401-000273	AL CAPACITOR:100uF,20%,16V,GP,-,6.3x11,2		J70	3711-003133	CONNECTOR-HEADER:BOX,13P,1R,2.5mm,STRAIG	
CP406	2401-000273	AL CAPACITOR:100uF,20%,16V,GP,-,6.3x11,2		J801	0603-001051	OPTIC TRANSMITTER:5V,6Mlb/s,5m,-15dBm,660	
CP500	2401-000273	AL CAPACITOR:100uF,20%,16V,GP,-,6.3x11,2		JR100	3404-001064	SWITCH-TACT:12V50mA,160gf,6x6x3.5mm,-	
CP501	2401-000273	AL CAPACITOR:100uF,20%,16V,GP,-,6.3x11,2		L1002	MF27-00010D	HZ CHIP INDUCTOR-.2,0x1.25x0.9,-,-,-,-,-	
CP502	2401-000273	AL CAPACITOR:100uF,20%,16V,GP,-,6.3x11,2		L101	2703-000125	INDUCTOR-SMD:10uH,10%,1.25x2x1.25mm	
CP503	2401-000273	AL CAPACITOR:100uF,20%,16V,GP,-,6.3x11,2		L102	2703-000125	INDUCTOR-SMD:10uH,10%,1.25x2x1.25mm	
CP70	2401-000037	C-AL:470uF,20%,16V,GP,TP,8x11.5,5		L103	MF27-00010D	HZ CHIP INDUCTOR-.2,0x1.25x0.9,-,-,-,-,-	
CP700	2401-001529	C-AL:47uF,20%,25V,GP,-,5x11,2mm		L104	2703-000125	INDUCTOR-SMD:10uH,10%,1.25x2x1.25mm	
CP703	2401-000408	C-AL:10uF,20%,16V,GP,TP,3.5x5,2.5		L106	2703-000125	INDUCTOR-SMD:10uH,10%,1.25x2x1.25mm	
CP704	2401-001287	C-AL:47uF,20%,16V,GP,TP,5x12mm,-		L700	2703-000125	INDUCTOR-SMD:10uH,10%,1.25x2x1.25mm	
CP708	2401-001287	C-AL:47uF,20%,16V,GP,TP,5x12mm,-		L801	3301-000287	CORE-FERRITE BEAD-AA,3.5x1.0x6.0mm,1500,	
CP71	2401-000037	C-AL:470uF,20%,16V,GP,TP,8x11.5,5		L802	2703-000229	INDUCTOR-SMD:6.8UH,20%,1.25X2X1.25MM	
CP710	2401-000408	C-AL:10uF,20%,16V,GP,TP,3.5x5,2.5		L803	2703-000229	INDUCTOR-SMD:6.8UH,20%,1.25X2X1.25MM	
CP711	2401-001287	C-AL:47uF,20%,16V,GP,TP,5x12mm,-		L804	2703-000229	INDUCTOR-SMD:6.8UH,20%,1.25X2X1.25MM	
CP713	2401-001287	C-AL:47uF,20%,16V,GP,TP,5x12mm,-		L805	2703-000229	INDUCTOR-SMD:6.8UH,20%,1.25X2X1.25MM	
CP72	2401-000010	C-AL:220uF,20%,16V,GP,-,6.3x11mm,2		L806	2703-000229	INDUCTOR-SMD:6.8UH,20%,1.25X2X1.25MM	
CP73	2401-000010	C-AL:220uF,20%,16V,GP,-,6.3x11mm,2		L807	2703-000229	INDUCTOR-SMD:6.8UH,20%,1.25X2X1.25MM	
CP74	2401-000273	AL CAPACITOR:100uF,20%,16V,GP,-,6.3x11,2		MOD801	MF40-00129A	RF MODULATOR:RMUP74055FS(S),PAL 40CHANNE	
CP801	2401-000273	AL CAPACITOR:100uF,20%,16V,GP,-,6.3x11,2		O1006	0504-000180	TR-DIGITAL:DTC114ES,NPN,300mW,10K/10K,SC	
CP802	2401-000273	AL CAPACITOR:100uF,20%,16V,GP,-,6.3x11,2		O1007	0504-000180	TR-DIGITAL:DTC114ES,NPN,300mW,10K/10K,SC	
CP803	2401-000010	C-AL:220uF,20%,16V,GP,-,6.3x11mm,2		O1008	0504-000180	TR-DIGITAL:DTC114ES,NPN,300mW,10K/10K,SC	
CP804	2401-000273	AL CAPACITOR:100uF,20%,16V,GP,-,6.3x11,2		O1009	0504-000180	TR-DIGITAL:DTC114ES,NPN,300mW,10K/10K,SC	
CP805	2401-000273	AL CAPACITOR:100uF,20%,16V,GP,-,6.3x11,2		O1010	0502-000360	TR-POWER:TIP42C,PNP,65000MW,TO-220,TP,1	
CP806	2401-000273	AL CAPACITOR:100uF,20%,16V,GP,-,6.3x11,2		O1010	MF62-00001B	HEAT-SINK:A6063,11X15X20,-,-,-,-,-	
CP807	2401-001287	C-AL:47uF,20%,16V,GP,TP,5x12mm,-		O1011	0502-000360	TR-POWER:TIP42C,PNP,65000MW,TO-220,TP,1	
CP808	2401-001287	C-AL:47uF,20%,16V,GP,TP,5x12mm,-		O1012	0501-000457	TR-SMALL SIGNAL:MMBT2222A,NPN,350MW,SOT-	
CP809	2401-000273	AL CAPACITOR:100uF,20%,16V,GP,-,6.3x11,2		O1015	0504-000180	TR-DIGITAL:DTC114ES,NPN,300mW,10K/10K,SC	
CP810	2401-000273	AL CAPACITOR:100uF,20%,16V,GP,-,6.3x11,2		O1023	0501-000316	TR-SMALL SIGNAL:KSA928A-Y,PNP,1000mW,TO-	
CP813	2401-000273	AL CAPACITOR:100uF,20%,16V,GP,-,6.3x11,2		O1024	0504-000180	TR-DIGITAL:DTC114ES,NPN,300mW,10K/10K,SC	
CP814	2401-000273	AL CAPACITOR:100uF,20%,16V,GP,-,6.3x11,2		O1025	0504-000180	TR-DIGITAL:DTC114ES,NPN,300mW,10K/10K,SC	
CP815	2401-000273	AL CAPACITOR:100uF,20%,16V,GP,-,6.3x11,2		O1026	0504-000180	TR-DIGITAL:DTC114ES,NPN,300mW,10K/10K,SC	
CP816	2401-000273	AL CAPACITOR:100uF,20%,16V,GP,-,6.3x11,2		Q400	0501-000457	TR-SMALL SIGNAL:MMBT2222A,NPN,350MW,SOT-	
CP817	2401-001287	C-AL:47uF,20%,16V,GP,TP,5x12mm,-		Q401	0501-000462	TR-SMALL SIGNAL:MMBT2907A,PNP,350MW,SOT-	
CP818	2401-000408	C-AL:10uF,20%,16V,GP,TP,3.5x5,2.5		Q402	0501-000462	TR-SMALL SIGNAL:MMBT2907A,PNP,350MW,SOT-	
CP819	2401-000408	C-AL:10uF,20%,16V,GP,TP,3.5x5,2.5		Q403	0501-000457	TR-SMALL SIGNAL:MMBT2222A,NPN,350MW,SOT-	
CP820	2401-001287	C-AL:47uF,20%,16V,GP,TP,5x12mm,-		Q701	0501-000462	TR-SMALL SIGNAL:MMBT2907A,PNP,350MW,SOT-	

Electrical Parts List

Loc.No	Part No	Description ; Specification	Remark	Loc.No	Part No	Description ; Specification	Remark
Q702	0501-000457	TR-SMALL SIGNAL:MMBT2222A,NPN,350MW,SOT-		R122	2007-000029	R-CHIP:00HM,5%,1/10W,DA,TP,2012	
Q703	0501-000462	TR-SMALL SIGNAL:MMBT2907A,PNP,350MW,SOT-		R1227	2003-000126	R-METAL OXIDE:1.2Kohm,5%,1W,AA,TP,4.3x12	
Q704	0501-000457	TR-SMALL SIGNAL:MMBT2222A,NPN,350MW,SOT-		R1228	2007-000457	R-CHIP:18KOHM,5%,1/10W,DA,TP,2012	
Q801	0501-000457	TR-SMALL SIGNAL:MMBT2222A,NPN,350MW,SOT-		R1229	2007-000774	R-CHIP:33KOHM,5%,1/10W,DA,TP,2012	
Q804	0501-000457	TR-SMALL SIGNAL:MMBT2222A,NPN,350MW,SOT-		R123	2007-001043	R-CHIP:560HM,5%,1/10W,DA,TP,2012	
Q805	0501-000462	TR-SMALL SIGNAL:MMBT2907A,PNP,350MW,SOT-		R1230	2007-000300	R-CHIP:10KOHM,5%,1/10W,DA,TP,2012	
Q806	0501-000316	TR-SMALL SIGNAL:KSA928A-Y,PNP,1000mW,TO-		R1234	2007-000290	R-CHIP:100OHM,5%,1/10W,DA,TP,2012	
Q807	0501-000457	TR-SMALL SIGNAL:MMBT2222A,NPN,350MW,SOT-		R124	2007-001043	R-CHIP:560HM,5%,1/10W,DA,TP,2012	
Q808	0501-000457	TR-SMALL SIGNAL:MMBT2222A,NPN,350MW,SOT-		R125	2007-000029	R-CHIP:00HM,5%,1/10W,DA,TP,2012	
Q809	0501-000457	TR-SMALL SIGNAL:MMBT2222A,NPN,350MW,SOT-		R126	2007-001043	R-CHIP:560HM,5%,1/10W,DA,TP,2012	
Q810	0504-000180	TR-DIGITAL:DTC114ES,NPN,300mW,10K/10K,SC		R127	2007-000498	R-CHIP:2.2MOHM,5%,1/10W,DA,TP,2012	
Q811	0501-000462	TR-SMALL SIGNAL:MMBT2907A,PNP,350MW,SOT-		R128	2007-000282	R-CHIP:100KOHM,5%,1/10W,DA,TP,2012	
Q812	0501-000457	TR-SMALL SIGNAL:MMBT2222A,NPN,350MW,SOT-		R129	2007-000282	R-CHIP:100KOHM,5%,1/10W,DA,TP,2012	
Q813	0501-000462	TR-SMALL SIGNAL:MMBT2907A,PNP,350MW,SOT-		R130	2007-000001	R-CHIP:68KOHM,5%,1/10W,DA,TP,2012	
Q814	0504-000180	TR-DIGITAL:DTC114ES,NPN,300mW,10K/10K,SC		R132	2007-000468	R-CHIP:1KOHM,5%,1/10W,DA,TP,2012	
Q816	0504-000180	TR-DIGITAL:DTC114ES,NPN,300mW,10K/10K,SC		R133	2007-000029	R-CHIP:00HM,5%,1/10W,DA,TP,2012	
Q817	0501-000462	TR-SMALL SIGNAL:MMBT2907A,PNP,350MW,SOT-		R138	2007-000300	R-CHIP:10KOHM,5%,1/10W,DA,TP,2012	
Q818	0504-000180	TR-DIGITAL:DTC114ES,NPN,300mW,10K/10K,SC		R139	2007-000300	R-CHIP:10KOHM,5%,1/10W,DA,TP,2012	
Q820	0501-000457	TR-SMALL SIGNAL:MMBT2222A,NPN,350MW,SOT-		R140	2007-000300	R-CHIP:10KOHM,5%,1/10W,DA,TP,2012	
Q821	0501-000457	TR-SMALL SIGNAL:MMBT2222A,NPN,350MW,SOT-		R142	2007-000029	R-CHIP:00HM,5%,1/10W,DA,TP,2012	
Q822	0501-000457	TR-SMALL SIGNAL:MMBT2222A,NPN,350MW,SOT-		R143	2007-001672	R-CHIP:8.2KOHM,1%,1/10W,DA,TP,2012	
Q823	0504-000180	TR-DIGITAL:DTC114ES,NPN,300mW,10K/10K,SC		R144	2007-000300	R-CHIP:10KOHM,5%,1/10W,DA,TP,2012	
Q824	0501-000462	TR-SMALL SIGNAL:MMBT2907A,PNP,350MW,SOT-		R145	2007-000300	R-CHIP:10KOHM,5%,1/10W,DA,TP,2012	
Q825	0501-000462	TR-SMALL SIGNAL:MMBT2907A,PNP,350MW,SOT-		R146	2007-000300	R-CHIP:10KOHM,5%,1/10W,DA,TP,2012	
Q826	0501-000457	TR-SMALL SIGNAL:MMBT2222A,NPN,350MW,SOT-		R156	2007-000468	R-CHIP:1KOHM,5%,1/10W,DA,TP,2012	
Q827	0501-000462	TR-SMALL SIGNAL:MMBT2907A,PNP,350MW,SOT-		R157	2007-000300	R-CHIP:10KOHM,5%,1/10W,DA,TP,2012	
Q828	0502-000360	TR-POWER:TIP42C,PNP,65000MW,TO-220,TP,1		R158	2007-000300	R-CHIP:10KOHM,5%,1/10W,DA,TP,2012	
Q829	0504-000180	TR-DIGITAL:DTC114ES,NPN,300mW,10K/10K,SC		R159	2007-000029	R-CHIP:00HM,5%,1/10W,DA,TP,2012	
R100	2007-000300	R-CHIP:10KOHM,5%,1/10W,DA,TP,2012		R160	2007-000029	R-CHIP:00HM,5%,1/10W,DA,TP,2012	
R1002	2007-000290	R-CHIP:100OHM,5%,1/10W,DA,TP,2012		R161	2007-000029	R-CHIP:00HM,5%,1/10W,DA,TP,2012	
R1003	2007-000290	R-CHIP:100OHM,5%,1/10W,DA,TP,2012		R162	2007-000029	R-CHIP:00HM,5%,1/10W,DA,TP,2012	
R1004	2007-000290	R-CHIP:100OHM,5%,1/10W,DA,TP,2012		R163	2007-000029	R-CHIP:00HM,5%,1/10W,DA,TP,2012	
R1006	2007-000290	R-CHIP:100OHM,5%,1/10W,DA,TP,2012		R164	2007-000029	R-CHIP:00HM,5%,1/10W,DA,TP,2012	
R1007	2007-000290	R-CHIP:100OHM,5%,1/10W,DA,TP,2012		R165	2007-000468	R-CHIP:1KOHM,5%,1/10W,DA,TP,2012	
R1008	2007-000290	R-CHIP:100OHM,5%,1/10W,DA,TP,2012		R166	2007-000029	R-CHIP:00HM,5%,1/10W,DA,TP,2012	
R1009	2007-000290	R-CHIP:100OHM,5%,1/10W,DA,TP,2012		R167	2007-000468	R-CHIP:1KOHM,5%,1/10W,DA,TP,2012	
R1010	2007-000290	R-CHIP:100OHM,5%,1/10W,DA,TP,2012		R168	2007-000029	R-CHIP:00HM,5%,1/10W,DA,TP,2012	
R1011	2007-000290	R-CHIP:100OHM,5%,1/10W,DA,TP,2012		R169	2007-000518	R-CHIP:2.7KOHM,5%,1/10W,DA,TP,2012	
R1012	2007-000290	R-CHIP:100OHM,5%,1/10W,DA,TP,2012		R170	2007-000518	R-CHIP:2.7KOHM,5%,1/10W,DA,TP,2012	
R1013	2007-000290	R-CHIP:100OHM,5%,1/10W,DA,TP,2012		R171	2007-000029	R-CHIP:00HM,5%,1/10W,DA,TP,2012	
R1015	2007-000290	R-CHIP:100OHM,5%,1/10W,DA,TP,2012		R172	2007-000300	R-CHIP:10KOHM,5%,1/10W,DA,TP,2012	
R102	2007-001043	R-CHIP:560HM,5%,1/10W,DA,TP,2012		R173	2007-000300	R-CHIP:10KOHM,5%,1/10W,DA,TP,2012	
R1023	2007-000981	R-CHIP:5.6KOHM,5%,1/10W,DA,TP,2012		R174	2007-000029	R-CHIP:00HM,5%,1/10W,DA,TP,2012	
R1024	2007-000586	R-CHIP:22KOHM,5%,1/10W,DA,TP,2012		R175	2007-000029	R-CHIP:00HM,5%,1/10W,DA,TP,2012	
R1025	2007-000766	R-CHIP:330OHM,5%,1/10W,DA,TP,2012		R177	2007-000468	R-CHIP:1KOHM,5%,1/10W,DA,TP,2012	
R1026	2007-000947	R-CHIP:470HM,5%,1/10W,DA,TP,2012		R178	2007-000781	R-CHIP:330HM,5%,1/10W,DA,TP,2012	
R1027	2007-000245	R-CHIP:1.5KOHM,5%,1/10W,DA,TP,3216		R179	2007-000029	R-CHIP:00HM,5%,1/10W,DA,TP,2012	
R1028	2007-000300	R-CHIP:10KOHM,5%,1/10W,DA,TP,2012		R181	2007-000300	R-CHIP:10KOHM,5%,1/10W,DA,TP,2012	
R1029	2007-001166	R-CHIP:750HM,5%,1/10W,DA,TP,2012		R182	2007-000300	R-CHIP:10KOHM,5%,1/10W,DA,TP,2012	
R1030	2007-000300	R-CHIP:10KOHM,5%,1/10W,DA,TP,2012		R183	2007-000300	R-CHIP:10KOHM,5%,1/10W,DA,TP,2012	
R1031	2001-001045	R-CARBON(S):1.2KOHM,5%,1/2W,AA,TP,2.4X6		R184	2007-000300	R-CHIP:10KOHM,5%,1/10W,DA,TP,2012	
R1032	2001-000044	R-CARBON:1.2KOHM,5%,1/4W,AA,TP,2.4X6.4M		R185	2007-000300	R-CHIP:10KOHM,5%,1/10W,DA,TP,2012	
R1033	2007-000300	R-CHIP:10KOHM,5%,1/10W,DA,TP,2012		R186	2007-000300	R-CHIP:10KOHM,5%,1/10W,DA,TP,2012	
R104	2007-000300	R-CHIP:10KOHM,5%,1/10W,DA,TP,2012		R187	2007-000300	R-CHIP:10KOHM,5%,1/10W,DA,TP,2012	
R106	2007-000029	R-CHIP:00HM,5%,1/10W,DA,TP,2012		R188	2007-000300	R-CHIP:10KOHM,5%,1/10W,DA,TP,2012	
R108	2007-000029	R-CHIP:00HM,5%,1/10W,DA,TP,2012		R189	2007-000300	R-CHIP:10KOHM,5%,1/10W,DA,TP,2012	
R110	2007-000781	R-CHIP:330HM,5%,1/10W,DA,TP,2012		R190	2007-000300	R-CHIP:10KOHM,5%,1/10W,DA,TP,2012	
R111	2007-000781	R-CHIP:330HM,5%,1/10W,DA,TP,2012		R191	2007-000300	R-CHIP:10KOHM,5%,1/10W,DA,TP,2012	
R112	2007-000781	R-CHIP:330HM,5%,1/10W,DA,TP,2012		R192	2007-000300	R-CHIP:10KOHM,5%,1/10W,DA,TP,2012	
R114	2007-000781	R-CHIP:330HM,5%,1/10W,DA,TP,2012		R193	2007-000300	R-CHIP:10KOHM,5%,1/10W,DA,TP,2012	
R115	2007-000781	R-CHIP:330HM,5%,1/10W,DA,TP,2012		R194	2007-000300	R-CHIP:10KOHM,5%,1/10W,DA,TP,2012	
R116	2007-000781	R-CHIP:330HM,5%,1/10W,DA,TP,2012		R195	2007-000300	R-CHIP:10KOHM,5%,1/10W,DA,TP,2012	
R117	2007-000029	R-CHIP:00HM,5%,1/10W,DA,TP,2012		R196	2007-000300	R-CHIP:10KOHM,5%,1/10W,DA,TP,2012	
R118	2007-000300	R-CHIP:10KOHM,5%,1/10W,DA,TP,2012		R200	2007-000872	R-CHIP:4.7KOHM,5%,1/10W,DA,TP,2012	
R119	2007-000300	R-CHIP:10KOHM,5%,1/10W,DA,TP,2012		R2001	2007-000290	R-CHIP:100OHM,5%,1/10W,DA,TP,2012	
R121	2007-000029	R-CHIP:00HM,5%,1/10W,DA,TP,2012		R2002	2007-000290	R-CHIP:100OHM,5%,1/10W,DA,TP,2012	

Loc.No	Part No	Description ; Specification	Remark	Loc.No	Part No	Description ; Specification	Remark
R2003	2007-00029	R-CHIP:00HM,5%,1/10W,DA,TP,2012		R501	2007-00029	R-CHIP:100OHM,5%,1/10W,DA,TP,2012	
R2004	2007-00029	R-CHIP:00HM,5%,1/10W,DA,TP,2012		R502	2007-00029	R-CHIP:100OHM,5%,1/10W,DA,TP,2012	
R2005	2007-00029	R-CHIP:00HM,5%,1/10W,DA,TP,2012		R503	2007-00029	R-CHIP:100OHM,5%,1/10W,DA,TP,2012	
R2006	2007-001166	R-CHIP:750HM,5%,1/10W,DA,TP,2012		R504	2007-000781	R-CHIP:330HM,5%,1/10W,DA,TP,2012	
R2012	2007-000029	R-CHIP:00HM,5%,1/10W,DA,TP,2012		R505	2007-000781	R-CHIP:330HM,5%,1/10W,DA,TP,2012	
R2015	MF27-00010D	HZ CHIP INDUCTOR:-2.0x1.25x0.9,-----		R506	2007-00029	R-CHIP:100OHM,5%,1/10W,DA,TP,2012	
R2016	2007-000029	R-CHIP:00HM,5%,1/10W,DA,TP,2012		R507	2007-00029	R-CHIP:100OHM,5%,1/10W,DA,TP,2012	
R2018	2007-000029	R-CHIP:00HM,5%,1/10W,DA,TP,2012		R508	2007-00029	R-CHIP:100OHM,5%,1/10W,DA,TP,2012	
R2019	2007-000029	R-CHIP:00HM,5%,1/10W,DA,TP,2012		R509	2007-000781	R-CHIP:330HM,5%,1/10W,DA,TP,2012	
R2020	2007-000029	R-CHIP:00HM,5%,1/10W,DA,TP,2012		R510	2007-000781	R-CHIP:330HM,5%,1/10W,DA,TP,2012	
R2021	2007-000029	R-CHIP:00HM,5%,1/10W,DA,TP,2012		R511	2007-000781	R-CHIP:330HM,5%,1/10W,DA,TP,2012	
R2050	2007-000029	R-CHIP:00HM,5%,1/10W,DA,TP,2012		R514	2007-00029	R-CHIP:100OHM,5%,1/10W,DA,TP,2012	
R225	2007-000290	R-CHIP:100OHM,5%,1/10W,DA,TP,2012		R515	2007-000290	R-CHIP:100OHM,5%,1/10W,DA,TP,2012	
R226	2007-000290	R-CHIP:100OHM,5%,1/10W,DA,TP,2012		R516	2007-000290	R-CHIP:100OHM,5%,1/10W,DA,TP,2012	
R229	2007-000781	R-CHIP:330HM,5%,1/10W,DA,TP,2012		R517	2007-000300	R-CHIP:10KOHM,5%,1/10W,DA,TP,2012	
R230	2007-000290	R-CHIP:100OHM,5%,1/10W,DA,TP,2012		R518	2007-000300	R-CHIP:10KOHM,5%,1/10W,DA,TP,2012	
R231	2007-000290	R-CHIP:100OHM,5%,1/10W,DA,TP,2012		R519	2007-000300	R-CHIP:10KOHM,5%,1/10W,DA,TP,2012	
R232	2007-000290	R-CHIP:100OHM,5%,1/10W,DA,TP,2012		R520	2007-000300	R-CHIP:10KOHM,5%,1/10W,DA,TP,2012	
R233	2007-000290	R-CHIP:100OHM,5%,1/10W,DA,TP,2012		R521	2007-000029	R-CHIP:00HM,5%,1/10W,DA,TP,2012	
R234	2007-000290	R-CHIP:100OHM,5%,1/10W,DA,TP,2012		R522	2007-000781	R-CHIP:330HM,5%,1/10W,DA,TP,2012	
R235	2007-000290	R-CHIP:100OHM,5%,1/10W,DA,TP,2012		R523	2007-000290	R-CHIP:100OHM,5%,1/10W,DA,TP,2012	
R236	2007-000300	R-CHIP:10KOHM,5%,1/10W,DA,TP,2012		R525	2007-000781	R-CHIP:330HM,5%,1/10W,DA,TP,2012	
R240	2007-000300	R-CHIP:10KOHM,5%,1/10W,DA,TP,2012		R526	2007-000290	R-CHIP:100OHM,5%,1/10W,DA,TP,2012	
R241	2007-000300	R-CHIP:10KOHM,5%,1/10W,DA,TP,2012		R527	2007-000781	R-CHIP:330HM,5%,1/10W,DA,TP,2012	
R242	2007-000300	R-CHIP:10KOHM,5%,1/10W,DA,TP,2012		R528	2007-000290	R-CHIP:100OHM,5%,1/10W,DA,TP,2012	
R243	2007-000300	R-CHIP:10KOHM,5%,1/10W,DA,TP,2012		R529	2007-000781	R-CHIP:330HM,5%,1/10W,DA,TP,2012	
R244	2007-001166	R-CHIP:750HM,5%,1/10W,DA,TP,2012		R530	2007-000781	R-CHIP:330HM,5%,1/10W,DA,TP,2012	
R245	2007-001166	R-CHIP:750HM,5%,1/10W,DA,TP,2012		R532	2007-000029	R-CHIP:00HM,5%,1/10W,DA,TP,2012	
R246	2007-001166	R-CHIP:750HM,5%,1/10W,DA,TP,2012		R533	2007-000029	R-CHIP:00HM,5%,1/10W,DA,TP,2012	
R247	2007-000300	R-CHIP:10KOHM,5%,1/10W,DA,TP,2012		R534	2007-000300	R-CHIP:10KOHM,5%,1/10W,DA,TP,2012	
R249	2007-000300	R-CHIP:10KOHM,5%,1/10W,DA,TP,2012		R535	2007-000300	R-CHIP:10KOHM,5%,1/10W,DA,TP,2012	
R250	2007-000300	R-CHIP:10KOHM,5%,1/10W,DA,TP,2012		R536	2007-000300	R-CHIP:10KOHM,5%,1/10W,DA,TP,2012	
R251	2007-000300	R-CHIP:10KOHM,5%,1/10W,DA,TP,2012		R537	2007-000300	R-CHIP:10KOHM,5%,1/10W,DA,TP,2012	
R254	2007-000300	R-CHIP:10KOHM,5%,1/10W,DA,TP,2012		R539	2007-000468	R-CHIP:1KOHM,5%,1/10W,DA,TP,2012	
R258	2007-000029	R-CHIP:00HM,5%,1/10W,DA,TP,2012		R541	2007-000468	R-CHIP:1KOHM,5%,1/10W,DA,TP,2012	
R259	2007-000029	R-CHIP:00HM,5%,1/10W,DA,TP,2012		R542	2007-000300	R-CHIP:10KOHM,5%,1/10W,DA,TP,2012	
R275	2007-000409	R-CHIP:15KOHM,5%,1/10W,DA,TP,2012		R543	2007-000029	R-CHIP:00HM,5%,1/10W,DA,TP,2012	
R278	2007-000872	R-CHIP:4.7KOHM,5%,1/10W,DA,TP,2012		R544	2007-000029	R-CHIP:00HM,5%,1/10W,DA,TP,2012	
R282	2007-000872	R-CHIP:4.7KOHM,5%,1/10W,DA,TP,2012		R546	2007-000029	R-CHIP:00HM,5%,1/10W,DA,TP,2012	
R286	2007-000781	R-CHIP:330HM,5%,1/10W,DA,TP,2012		R550	2007-000029	R-CHIP:00HM,5%,1/10W,DA,TP,2012	
R288	2007-000029	R-CHIP:00HM,5%,1/10W,DA,TP,2012		R690	2007-000468	R-CHIP:1KOHM,5%,1/10W,DA,TP,2012	
R289	2007-000029	R-CHIP:00HM,5%,1/10W,DA,TP,2012		R691	2007-000468	R-CHIP:1KOHM,5%,1/10W,DA,TP,2012	
R290	2007-000029	R-CHIP:00HM,5%,1/10W,DA,TP,2012		R701	2007-000941	R-CHIP:47KOHM,5%,1/10W,DA,TP,2012	
R400	2007-000872	R-CHIP:4.7KOHM,5%,1/10W,DA,TP,2012		R703	2007-000300	R-CHIP:10KOHM,5%,1/10W,DA,TP,2012	
R401	2007-000029	R-CHIP:00HM,5%,1/10W,DA,TP,2012		R705	2007-000518	R-CHIP:2.7KOHM,5%,1/10W,DA,TP,2012	
R402	2007-000290	R-CHIP:100OHM,5%,1/10W,DA,TP,2012		R706	2007-000710	R-CHIP:3.9KOHM,5%,1/10W,DA,TP,2012	
R403	2007-000872	R-CHIP:4.7KOHM,5%,1/10W,DA,TP,2012		R707	2007-000586	R-CHIP:22KOHM,5%,1/10W,DA,TP,2012	
R404	2007-000026	R-CHIP:200OHM,5%,1/10W,DA,TP,2012		R711	2007-000941	R-CHIP:47KOHM,5%,1/10W,DA,TP,2012	
R405	2007-001166	R-CHIP:750HM,5%,1/10W,DA,TP,2012		R712	2007-000300	R-CHIP:10KOHM,5%,1/10W,DA,TP,2012	
R406	2007-000457	R-CHIP:18KOHM,5%,1/10W,DA,TP,2012		R714	2007-000518	R-CHIP:2.7KOHM,5%,1/10W,DA,TP,2012	
R407	2007-000572	R-CHIP:220OHM,5%,1/10W,DA,TP,2012		R715	2007-000710	R-CHIP:3.9KOHM,5%,1/10W,DA,TP,2012	
R408	2007-000872	R-CHIP:4.7KOHM,5%,1/10W,DA,TP,2012		R716	2007-000586	R-CHIP:22KOHM,5%,1/10W,DA,TP,2012	
R409	2007-000931	R-CHIP:470OHM,5%,1/10W,DA,TP,2012		R728	2007-000029	R-CHIP:00HM,5%,1/10W,DA,TP,2012	
R410	2007-000029	R-CHIP:00HM,5%,1/10W,DA,TP,2012		R729	2007-000029	R-CHIP:00HM,5%,1/10W,DA,TP,2012	
R411	2007-000872	R-CHIP:4.7KOHM,5%,1/10W,DA,TP,2012		R733	2007-000029	R-CHIP:00HM,5%,1/10W,DA,TP,2012	
R412	2007-000290	R-CHIP:100OHM,5%,1/10W,DA,TP,2012		R734	2007-000029	R-CHIP:00HM,5%,1/10W,DA,TP,2012	
R414	2007-000872	R-CHIP:4.7KOHM,5%,1/10W,DA,TP,2012		R736	2007-000290	R-CHIP:100OHM,5%,1/10W,DA,TP,2012	
R415	2007-000026	R-CHIP:200OHM,5%,1/10W,DA,TP,2012		R737	2007-000290	R-CHIP:100OHM,5%,1/10W,DA,TP,2012	
R417	2007-001166	R-CHIP:750HM,5%,1/10W,DA,TP,2012		R738	2007-000290	R-CHIP:100OHM,5%,1/10W,DA,TP,2012	
R419	2007-000457	R-CHIP:18KOHM,5%,1/10W,DA,TP,2012		R739	2007-000290	R-CHIP:100OHM,5%,1/10W,DA,TP,2012	
R420	2007-000728	R-CHIP:300OHM,5%,1/10W,DA,TP,2012		R740	2007-000300	R-CHIP:10KOHM,5%,1/10W,DA,TP,2012	
R421	2007-000872	R-CHIP:4.7KOHM,5%,1/10W,DA,TP,2012		R741	2007-000468	R-CHIP:1KOHM,5%,1/10W,DA,TP,2012	
R422	2007-000931	R-CHIP:470OHM,5%,1/10W,DA,TP,2012		R743	2007-000300	R-CHIP:10KOHM,5%,1/10W,DA,TP,2012	
R430	MF27-00010D	HZ CHIP INDUCTOR:-2.0x1.25x0.9,-----		R744	2007-000468	R-CHIP:1KOHM,5%,1/10W,DA,TP,2012	
R431	2007-000029	R-CHIP:00HM,5%,1/10W,DA,TP,2012		R750	2007-000029	R-CHIP:00HM,5%,1/10W,DA,TP,2012	
R500	2007-000781	R-CHIP:330HM,5%,1/10W,DA,TP,2012		R751	2007-000029	R-CHIP:00HM,5%,1/10W,DA,TP,2012	

Electrical Parts List

Loc.No	Part No	Description ; Specification	Remark	Loc.No	Part No	Description ; Specification	Remark
R752	2007-00029	R-CHIP:00HM,5%,1/10W,DA,TP,2012		R865	2007-000872	R-CHIP:4.7KOHM,5%,1/10W,DA,TP,2012	
R753	2007-00029	R-CHIP:00HM,5%,1/10W,DA,TP,2012		R866	2007-000361	R-CHIP:120HM,5%,1/10W,DA,TP,2012	
R755	2007-000872	R-CHIP:4.7KOHM,5%,1/10W,DA,TP,2012		R867	2007-000872	R-CHIP:4.7KOHM,5%,1/10W,DA,TP,2012	
R756	2007-000872	R-CHIP:4.7KOHM,5%,1/10W,DA,TP,2012		R868	2007-000300	R-CHIP:10KOHM,5%,1/10W,DA,TP,2012	
R757	2007-00029	R-CHIP:00HM,5%,1/10W,DA,TP,2012		R869	2007-001133	R-CHIP:680HM,5%,1/10W,DA,TP,2012	
R758	2007-000872	R-CHIP:4.7KOHM,5%,1/10W,DA,TP,2012		R870	2007-001166	R-CHIP:750HM,5%,1/10W,DA,TP,2012	
R761	2007-00029	R-CHIP:00HM,5%,1/10W,DA,TP,2012		R871	2007-000457	R-CHIP:18KOHM,5%,1/10W,DA,TP,2012	
R801	2007-000872	R-CHIP:4.7KOHM,5%,1/10W,DA,TP,2012		R872	2007-000766	R-CHIP:330OHM,5%,1/10W,DA,TP,2012	
R803	2007-000300	R-CHIP:10KOHM,5%,1/10W,DA,TP,2012		R873	2007-000872	R-CHIP:4.7KOHM,5%,1/10W,DA,TP,2012	
R804	2007-000290	R-CHIP:100OHM,5%,1/10W,DA,TP,2012		R874	2007-000468	R-CHIP:1KOHM,5%,1/10W,DA,TP,2012	
R806	2007-000290	R-CHIP:100OHM,5%,1/10W,DA,TP,2012		R875	2007-000931	R-CHIP:470OHM,5%,1/10W,DA,TP,2012	
R807	2007-001166	R-CHIP:750HM,5%,1/10W,DA,TP,2012		R877	2007-001166	R-CHIP:750HM,5%,1/10W,DA,TP,2012	
R808	2007-000586	R-CHIP:22KOHM,5%,1/10W,DA,TP,2012		R878	2007-000300	R-CHIP:10KOHM,5%,1/10W,DA,TP,2012	
R809	2007-000361	R-CHIP:120HM,5%,1/10W,DA,TP,2012		R879	2007-001166	R-CHIP:750HM,5%,1/10W,DA,TP,2012	
R810	2007-000586	R-CHIP:22KOHM,5%,1/10W,DA,TP,2012		R880	2007-000931	R-CHIP:470OHM,5%,1/10W,DA,TP,2012	
R811	2007-000931	R-CHIP:470OHM,5%,1/10W,DA,TP,2012		R881	2007-000586	R-CHIP:22KOHM,5%,1/10W,DA,TP,2012	
R812	2007-000872	R-CHIP:4.7KOHM,5%,1/10W,DA,TP,2012		R882	2007-000586	R-CHIP:22KOHM,5%,1/10W,DA,TP,2012	
R813	2007-001133	R-CHIP:680HM,5%,1/10W,DA,TP,2012		R883	2007-000290	R-CHIP:100OHM,5%,1/10W,DA,TP,2012	
R814	2007-000457	R-CHIP:18KOHM,5%,1/10W,DA,TP,2012		R884	2007-000218	R-CHIP:1.2KOHM,1%,1/10W,DA,TP,2012	
R815	2007-001166	R-CHIP:750HM,5%,1/10W,DA,TP,2012		R885	2007-000872	R-CHIP:4.7KOHM,5%,1/10W,DA,TP,2012	
R816	2007-000766	R-CHIP:330OHM,5%,1/10W,DA,TP,2012		R886	2007-000872	R-CHIP:4.7KOHM,5%,1/10W,DA,TP,2012	
R817	2007-000872	R-CHIP:4.7KOHM,5%,1/10W,DA,TP,2012		R887	2007-000361	R-CHIP:120HM,5%,1/10W,DA,TP,2012	
R818	2007-000931	R-CHIP:470OHM,5%,1/10W,DA,TP,2012		R888	2007-000931	R-CHIP:470OHM,5%,1/10W,DA,TP,2012	
R819	2007-000781	R-CHIP:330HM,5%,1/10W,DA,TP,2012		R889	2007-000026	R-CHIP:200OHM,5%,1/10W,DA,TP,2012	
R820	2007-000451	R-CHIP:180OHM,5%,1/8W,DA,TP,3216		R890	2007-000457	R-CHIP:18KOHM,5%,1/10W,DA,TP,2012	
R821	2007-000457	R-CHIP:18KOHM,5%,1/10W,DA,TP,2012		R891	2007-000607	R-CHIP:240OHM,5%,1/10W,DA,TP,2012	
R822	2007-000300	R-CHIP:10KOHM,5%,1/10W,DA,TP,2012		R892	2007-000872	R-CHIP:4.7KOHM,5%,1/10W,DA,TP,2012	
R823	2007-000565	R-CHIP:220KOHM,5%,1/10W,DA,TP,2012		R893	2007-000931	R-CHIP:470OHM,5%,1/10W,DA,TP,2012	
R824	2007-000565	R-CHIP:220KOHM,5%,1/10W,DA,TP,2012		R894	2007-000029	R-CHIP:00HM,5%,1/10W,DA,TP,2012	
R825	2007-000457	R-CHIP:18KOHM,5%,1/10W,DA,TP,2012		R896	2007-000245	R-CHIP:1.5KOHM,5%,1/8W,DA,TP,3216	
R826	2007-000218	R-CHIP:1.2KOHM,1%,1/10W,DA,TP,2012		RP2001	2011-000151	R-NETWORK:100ohm,5%,63mW,L,CHIP,8P,TP	
R827	2007-001166	R-CHIP:750HM,5%,1/10W,DA,TP,2012		RP2002	2011-000151	R-NETWORK:100ohm,5%,63mW,L,CHIP,8P,TP	
R828	2007-000586	R-CHIP:22KOHM,5%,1/10W,DA,TP,2012		RP2003	2011-000151	R-NETWORK:100ohm,5%,63mW,L,CHIP,8P,TP	
R829	2007-000586	R-CHIP:22KOHM,5%,1/10W,DA,TP,2012		RP2004	2011-000151	R-NETWORK:100ohm,5%,63mW,L,CHIP,8P,TP	
R830	2007-000401	R-CHIP:150OHM,5%,1/10W,DA,TP,2012		RP2005	2011-000151	R-NETWORK:100ohm,5%,63mW,L,CHIP,8P,TP	
R831	2007-000931	R-CHIP:470OHM,5%,1/10W,DA,TP,2012		RP2006	2011-000151	R-NETWORK:100ohm,5%,63mW,L,CHIP,8P,TP	
R832	2007-000931	R-CHIP:470OHM,5%,1/10W,DA,TP,2012		RP2007	2011-000151	R-NETWORK:100ohm,5%,63mW,L,CHIP,8P,TP	
R833	2007-000457	R-CHIP:18KOHM,5%,1/10W,DA,TP,2012		RP500	2011-000881	R-NETWORK:33ohm,5%,1/16W,L,CHIP,8P,TP	
R834	2007-000457	R-CHIP:18KOHM,5%,1/10W,DA,TP,2012		RP501	2011-000881	R-NETWORK:33ohm,5%,1/16W,L,CHIP,8P,TP	
R835	2007-000290	R-CHIP:100OHM,5%,1/10W,DA,TP,2012		RP502	2011-000881	R-NETWORK:33ohm,5%,1/16W,L,CHIP,8P,TP	
R836	2007-000872	R-CHIP:4.7KOHM,5%,1/10W,DA,TP,2012		RP503	2011-000881	R-NETWORK:33ohm,5%,1/16W,L,CHIP,8P,TP	
R837	2007-000447	R-CHIP:180OHM,1%,1/10W,DA,TP,2012		RP504	2011-000881	R-NETWORK:33ohm,5%,1/16W,L,CHIP,8P,TP	
R838	2007-000361	R-CHIP:120HM,5%,1/10W,DA,TP,2012		RP505	2011-000881	R-NETWORK:33ohm,5%,1/16W,L,CHIP,8P,TP	
R839	2007-000872	R-CHIP:4.7KOHM,5%,1/10W,DA,TP,2012		RP506	2011-000881	R-NETWORK:33ohm,5%,1/16W,L,CHIP,8P,TP	
R840	2007-001133	R-CHIP:680HM,5%,1/10W,DA,TP,2012		RP507	2011-000881	R-NETWORK:33ohm,5%,1/16W,L,CHIP,8P,TP	
R841	2007-000218	R-CHIP:1.2KOHM,1%,1/10W,DA,TP,2012		RP508	2011-000881	R-NETWORK:33ohm,5%,1/16W,L,CHIP,8P,TP	
R842	2007-001166	R-CHIP:750HM,5%,1/10W,DA,TP,2012		RP509	2011-000881	R-NETWORK:33ohm,5%,1/16W,L,CHIP,8P,TP	
R843	2007-000457	R-CHIP:18KOHM,5%,1/10W,DA,TP,2012		RP510	2011-000881	R-NETWORK:33ohm,5%,1/16W,L,CHIP,8P,TP	
R844	2007-000766	R-CHIP:330OHM,5%,1/10W,DA,TP,2012		RP511	2011-000881	R-NETWORK:33ohm,5%,1/16W,L,CHIP,8P,TP	
R845	2007-000872	R-CHIP:4.7KOHM,5%,1/10W,DA,TP,2012		RP513	2011-000881	R-NETWORK:33ohm,5%,1/16W,L,CHIP,8P,TP	
R849	2007-000565	R-CHIP:220KOHM,5%,1/10W,DA,TP,2012		RP514	2011-000881	R-NETWORK:33ohm,5%,1/16W,L,CHIP,8P,TP	
R850	2007-000565	R-CHIP:220KOHM,5%,1/10W,DA,TP,2012		RP515	2011-000881	R-NETWORK:33ohm,5%,1/16W,L,CHIP,8P,TP	
R851	2001-000034	R-CARBON:220OHM,5%,1/4W,AA,TP,2.4X6.4MM		RP516	2011-000881	R-NETWORK:33ohm,5%,1/16W,L,CHIP,8P,TP	
R852	2001-001114	R-CARBON(S):270OHM,5%,1/2W,AA,TP,2.4X6.4		RP517	2011-000881	R-NETWORK:33ohm,5%,1/16W,L,CHIP,8P,TP	
R853	2007-000565	R-CHIP:220KOHM,5%,1/10W,DA,TP,2012		RP518	2011-000881	R-NETWORK:33ohm,5%,1/16W,L,CHIP,8P,TP	
R854	2001-000036	R-CARBON:330OHM,5%,1/4W,AA,TP,2.4X6.4MM		RP519	2011-000881	R-NETWORK:33ohm,5%,1/16W,L,CHIP,8P,TP	
R855	2001-000036	R-CARBON:330OHM,5%,1/4W,AA,TP,2.4X6.4MM		RP520	2011-000881	R-NETWORK:33ohm,5%,1/16W,L,CHIP,8P,TP	
R856	2007-000218	R-CHIP:1.2KOHM,1%,1/10W,DA,TP,2012		RP521	2011-000881	R-NETWORK:33ohm,5%,1/16W,L,CHIP,8P,TP	
R857	2007-000872	R-CHIP:4.7KOHM,5%,1/10W,DA,TP,2012		RP522	2011-000881	R-NETWORK:33ohm,5%,1/16W,L,CHIP,8P,TP	
R858	2007-000872	R-CHIP:4.7KOHM,5%,1/10W,DA,TP,2012		RP523	2011-000881	R-NETWORK:33ohm,5%,1/16W,L,CHIP,8P,TP	
R859	2007-000565	R-CHIP:220KOHM,5%,1/10W,DA,TP,2012		RP524	2011-000881	R-NETWORK:33ohm,5%,1/16W,L,CHIP,8P,TP	
R860	2007-000300	R-CHIP:10KOHM,5%,1/10W,DA,TP,2012		T1001	MF40-001244	TUNER-SILICON:ICTM200009,-PAL-MULTI,-	
R861	2007-000300	R-CHIP:10KOHM,5%,1/10W,DA,TP,2012		C1	2203-000704	C-CERAMIC,CHIP:0.002nF,0.25pF,50V,RH,TP	
R862	2007-000300	R-CHIP:10KOHM,5%,1/10W,DA,TP,2012		C10	2203-000440	C-CERAMIC,CHIP:1nF,10%,50V,X7R,TP,1608,-	
R863	2007-000218	R-CHIP:1.2KOHM,1%,1/10W,DA,TP,2012		C103	2203-000815	C-CERAMIC,CHIP:0.033nF,5%,50V,NPO,TP,160	
R864	2007-000290	R-CHIP:100OHM,5%,1/10W,DA,TP,2012		C105	2203-000815	C-CERAMIC,CHIP:0.033nF,5%,50V,NPO,TP,160	

Electrical Parts List

Loc.No	Part No	Description ; Specification	Remark	Loc.No	Part No	Description ; Specification	Remark
BD700	3301-000287	CORE-FERRITE BEAD-AA,3.5x1.0x6.0mm,1500,		C650	2203-000206	C-CERAMIC,CHIP;100nF,10%,50V,X7R,TP,2012	
BD71	3301-000287	CORE-FERRITE BEAD-AA,3.5x1.0x6.0mm,1500,		C651	2203-000206	C-CERAMIC,CHIP;100nF,10%,50V,X7R,TP,2012	
BD72	3301-000287	CORE-FERRITE BEAD-AA,3.5x1.0x6.0mm,1500,		C652	2401-000408	C-AL:10uF,20%,16V,GP,TP,3.5x5,2.5	
BD73	3301-000287	CORE-FERRITE BEAD-AA,3.5x1.0x6.0mm,1500,		C653	2203-000206	C-CERAMIC,CHIP;100nF,10%,50V,X7R,TP,2012	
BD74	3301-000287	CORE-FERRITE BEAD-AA,3.5x1.0x6.0mm,1500,		C654	2203-000595	C-CERAMIC,CHIP;0.22nF,5%,50V,NPO,TP,2012	
BD75	3301-000287	CORE-FERRITE BEAD-AA,3.5x1.0x6.0mm,1500,		C655	2203-000595	C-CERAMIC,CHIP;0.22nF,5%,50V,NPO,TP,2012	
BD801	3301-000287	CORE-FERRITE BEAD-AA,3.5x1.0x6.0mm,1500,		C656	2203-000206	C-CERAMIC,CHIP;100nF,10%,50V,X7R,TP,2012	
C100	2203-000206	C-CERAMIC,CHIP;100nF,10%,50V,X7R,TP,2012		C657	2203-000206	C-CERAMIC,CHIP;100nF,10%,50V,X7R,TP,2012	
C1001	2203-000206	C-CERAMIC,CHIP;100nF,10%,50V,X7R,TP,2012		C658	2203-000206	C-CERAMIC,CHIP;100nF,10%,50V,X7R,TP,2012	
C1007	2203-000206	C-CERAMIC,CHIP;100nF,10%,50V,X7R,TP,2012		C659	2203-000206	C-CERAMIC,CHIP;100nF,10%,50V,X7R,TP,2012	
C1008	2203-000206	C-CERAMIC,CHIP;100nF,10%,50V,X7R,TP,2012		C660	2203-000444	C-CERAMIC,CHIP;1nF,10%,50V,X7R,TP,2012,-	
C1009	2203-000206	C-CERAMIC,CHIP;100nF,10%,50V,X7R,TP,2012		C661	2203-002392	C-CERAMIC,CHIP;220nF,+80-20%,50V,Y5V,TP,	
C101	2203-000206	C-CERAMIC,CHIP;100nF,10%,50V,X7R,TP,2012		C662	2203-001245	C-CERAMIC,CHIP;0.082nF,5%,50V,NPO,TP,201	
C102	2203-000206	C-CERAMIC,CHIP;100nF,10%,50V,X7R,TP,2012		C663	2203-001245	C-CERAMIC,CHIP;0.082nF,5%,50V,NPO,TP,201	
C103	2203-000206	C-CERAMIC,CHIP;100nF,10%,50V,X7R,TP,2012		C664	2203-000206	C-CERAMIC,CHIP;100nF,10%,50V,X7R,TP,2012	
C104	2203-000206	C-CERAMIC,CHIP;100nF,10%,50V,X7R,TP,2012		C665	2203-000206	C-CERAMIC,CHIP;100nF,10%,50V,X7R,TP,2012	
C105	2203-000206	C-CERAMIC,CHIP;100nF,10%,50V,X7R,TP,2012		C70	2203-000206	C-CERAMIC,CHIP;100nF,10%,50V,X7R,TP,2012	
C106	2203-000206	C-CERAMIC,CHIP;100nF,10%,50V,X7R,TP,2012		C701	2203-000206	C-CERAMIC,CHIP;100nF,10%,50V,X7R,TP,2012	
C1066	2401-001415	C-AL:470uF,20%,35V,GP,TP,10x20,5		C702	2203-000595	C-CERAMIC,CHIP;0.22nF,5%,50V,NPO,TP,2012	
C107	2203-000206	C-CERAMIC,CHIP;100nF,10%,50V,X7R,TP,2012		C705	2401-000273	AL CAPACITOR;100uF,20%,16V,GP,-,6.3x11.2	
C108	2203-000206	C-CERAMIC,CHIP;100nF,10%,50V,X7R,TP,2012		C706	2203-000206	C-CERAMIC,CHIP;100nF,10%,50V,X7R,TP,2012	
C109	2203-000206	C-CERAMIC,CHIP;100nF,10%,50V,X7R,TP,2012		C707	2301-000106	C-FILM,PEF;1.5nF,0.05,100V,TP,10.5*12.5*	
C110	2203-000206	C-CERAMIC,CHIP;100nF,10%,50V,X7R,TP,2012		C709	2203-000595	C-CERAMIC,CHIP;0.22nF,5%,50V,NPO,TP,2012	
C111	2203-000206	C-CERAMIC,CHIP;100nF,10%,50V,X7R,TP,2012		C71	2203-000206	C-CERAMIC,CHIP;100nF,10%,50V,X7R,TP,2012	
C112	2203-000206	C-CERAMIC,CHIP;100nF,10%,50V,X7R,TP,2012		C712	2301-000106	C-FILM,PEF;1.5nF,0.05,100V,TP,10.5*12.5*	
C113	2203-001245	C-CERAMIC,CHIP;0.082nF,5%,50V,NPO,TP,201		C72	2203-000206	C-CERAMIC,CHIP;100nF,10%,50V,X7R,TP,2012	
C114	2203-001245	C-CERAMIC,CHIP;0.082nF,5%,50V,NPO,TP,201		C73	2203-000206	C-CERAMIC,CHIP;100nF,10%,50V,X7R,TP,2012	
C115	2203-000609	C-CERAMIC,CHIP;22nF,10%,50V,X7R,TP,2012		C74	2203-000206	C-CERAMIC,CHIP;100nF,10%,50V,X7R,TP,2012	
C116	2203-000206	C-CERAMIC,CHIP;100nF,10%,50V,X7R,TP,2012		C750	2203-000206	C-CERAMIC,CHIP;100nF,10%,50V,X7R,TP,2012	
C117	2203-000206	C-CERAMIC,CHIP;100nF,10%,50V,X7R,TP,2012		C801	2203-000595	C-CERAMIC,CHIP;0.22nF,5%,50V,NPO,TP,2012	
C118	2203-000206	C-CERAMIC,CHIP;100nF,10%,50V,X7R,TP,2012		C802	2203-000206	C-CERAMIC,CHIP;100nF,10%,50V,X7R,TP,2012	
C119	2203-000206	C-CERAMIC,CHIP;100nF,10%,50V,X7R,TP,2012		C803	2203-001002	C-CERAMIC,CHIP;0.047nF,5%,50V,NPO,TP,201	
C122	2203-000206	C-CERAMIC,CHIP;100nF,10%,50V,X7R,TP,2012		C804	2401-001287	C-AL:47uF,20%,16V,GP,TP,5x12mm,-	
C123	2203-000206	C-CERAMIC,CHIP;100nF,10%,50V,X7R,TP,2012		C805	2401-001287	C-AL:47uF,20%,16V,GP,TP,5x12mm,-	
C124	2203-000206	C-CERAMIC,CHIP;100nF,10%,50V,X7R,TP,2012		C806	2203-000260	C-CERAMIC,CHIP;10nF,10%,50V,X7R,TP,2012	
C126	2203-000444	C-CERAMIC,CHIP;1nF,10%,50V,X7R,TP,2012,-		C807	2203-000260	C-CERAMIC,CHIP;10nF,10%,50V,X7R,TP,2012	
C127	2203-000206	C-CERAMIC,CHIP;100nF,10%,50V,X7R,TP,2012		C808	2203-000444	C-CERAMIC,CHIP;1nF,10%,50V,X7R,TP,2012,-	
C128	2203-000206	C-CERAMIC,CHIP;100nF,10%,50V,X7R,TP,2012		C809	2203-000260	C-CERAMIC,CHIP;10nF,10%,50V,X7R,TP,2012	
C129	2203-000206	C-CERAMIC,CHIP;100nF,10%,50V,X7R,TP,2012		C810	2203-000206	C-CERAMIC,CHIP;100nF,10%,50V,X7R,TP,2012	
C130	2203-000206	C-CERAMIC,CHIP;100nF,10%,50V,X7R,TP,2012		C811	2203-000595	C-CERAMIC,CHIP;0.22nF,5%,50V,NPO,TP,2012	
C132	2203-000206	C-CERAMIC,CHIP;100nF,10%,50V,X7R,TP,2012		C812	2203-000260	C-CERAMIC,CHIP;10nF,10%,50V,X7R,TP,2012	
C133	2203-000206	C-CERAMIC,CHIP;100nF,10%,50V,X7R,TP,2012		C813	2203-000260	C-CERAMIC,CHIP;10nF,10%,50V,X7R,TP,2012	
C139	2203-000206	C-CERAMIC,CHIP;100nF,10%,50V,X7R,TP,2012		C814	2203-001002	C-CERAMIC,CHIP;0.047nF,5%,50V,NPO,TP,201	
C140	2203-000206	C-CERAMIC,CHIP;100nF,10%,50V,X7R,TP,2012		C815	2203-000206	C-CERAMIC,CHIP;100nF,10%,50V,X7R,TP,2012	
C141	2203-000206	C-CERAMIC,CHIP;100nF,10%,50V,X7R,TP,2012		C816	2203-000595	C-CERAMIC,CHIP;0.22nF,5%,50V,NPO,TP,2012	
C142	2203-000206	C-CERAMIC,CHIP;100nF,10%,50V,X7R,TP,2012		C817	2203-000206	C-CERAMIC,CHIP;100nF,10%,50V,X7R,TP,2012	
C150	2203-000206	C-CERAMIC,CHIP;100nF,10%,50V,X7R,TP,2012		C818	2203-000260	C-CERAMIC,CHIP;10nF,10%,50V,X7R,TP,2012	
C151	2203-000206	C-CERAMIC,CHIP;100nF,10%,50V,X7R,TP,2012		C819	2203-000260	C-CERAMIC,CHIP;10nF,10%,50V,X7R,TP,2012	
C152	2203-000206	C-CERAMIC,CHIP;100nF,10%,50V,X7R,TP,2012		C820	2203-001002	C-CERAMIC,CHIP;0.047nF,5%,50V,NPO,TP,201	
C153	2203-000206	C-CERAMIC,CHIP;100nF,10%,50V,X7R,TP,2012		C822	2203-000595	C-CERAMIC,CHIP;0.22nF,5%,50V,NPO,TP,2012	
C154	2203-000784	C-CERAMIC,CHIP;0.33nF,5%,50V,NPO,TP,2012		C823	2203-000206	C-CERAMIC,CHIP;100nF,10%,50V,X7R,TP,2012	
C155	2203-000784	C-CERAMIC,CHIP;0.33nF,5%,50V,NPO,TP,2012		C824	2203-000206	C-CERAMIC,CHIP;100nF,10%,50V,X7R,TP,2012	
C400	2203-000206	C-CERAMIC,CHIP;100nF,10%,50V,X7R,TP,2012		C828	2203-000444	C-CERAMIC,CHIP;1nF,10%,50V,X7R,TP,2012,-	
C402	2203-001002	C-CERAMIC,CHIP;0.047nF,5%,50V,NPO,TP,201		C829	2203-001002	C-CERAMIC,CHIP;0.047nF,5%,50V,NPO,TP,201	
C404	2203-000206	C-CERAMIC,CHIP;100nF,10%,50V,X7R,TP,2012		C835	2401-000273	AL CAPACITOR;100uF,20%,16V,GP,-,6.3x11.2	
C405	2203-001002	C-CERAMIC,CHIP;0.047nF,5%,50V,NPO,TP,201		CP101	2401-000037	C-AL:470uF,20%,16V,GP,TP,8x11.5,5	
C420	2203-000206	C-CERAMIC,CHIP;100nF,10%,50V,X7R,TP,2012		CP400	2401-000273	AL CAPACITOR;100uF,20%,16V,GP,-,6.3x11.2	
C600	2203-000206	C-CERAMIC,CHIP;100nF,10%,50V,X7R,TP,2012		CP401	2401-000273	AL CAPACITOR;100uF,20%,16V,GP,-,6.3x11.2	
C601	2203-000206	C-CERAMIC,CHIP;100nF,10%,50V,X7R,TP,2012		CP402	2401-000273	AL CAPACITOR;100uF,20%,16V,GP,-,6.3x11.2	
C602	2401-000408	C-AL:10uF,20%,16V,GP,TP,3.5x5,2.5		CP404	2401-000273	AL CAPACITOR;100uF,20%,16V,GP,-,6.3x11.2	
C603	2203-000206	C-CERAMIC,CHIP;100nF,10%,50V,X7R,TP,2012		CP405	2401-000273	AL CAPACITOR;100uF,20%,16V,GP,-,6.3x11.2	
C604	2203-000595	C-CERAMIC,CHIP;0.22nF,5%,50V,NPO,TP,2012		CP406	2401-000273	AL CAPACITOR;100uF,20%,16V,GP,-,6.3x11.2	
C605	2203-000206	C-CERAMIC,CHIP;100nF,10%,50V,X7R,TP,2012		CP70	2401-000037	C-AL:470uF,20%,16V,GP,TP,8x11.5,5	
C607	2203-000595	C-CERAMIC,CHIP;0.22nF,5%,50V,NPO,TP,2012		CP700	2401-001529	C-AL:47uF,20%,25V,GP,-,5x11,2mm	
C608	2203-000206	C-CERAMIC,CHIP;100nF,10%,50V,X7R,TP,2012		CP703	2401-000408	C-AL:10uF,20%,16V,GP,TP,3.5x5,2.5	
C609	2203-000206	C-CERAMIC,CHIP;100nF,10%,50V,X7R,TP,2012		CP704	2401-001287	C-AL:47uF,20%,16V,GP,TP,5x12mm,-	

Loc.No	Part No	Description ; Specification	Remark	Loc.No	Part No	Description ; Specification	Remark
CP708	2401-001287	C-AL:47uF,20%,16V,GP,TP,5x12mm,-		L801	3301-000287	CORE-FERRITE BEAD:AA,3.5x1.0x6.0mm,1500,	
CP71	2401-000037	C-AL:470uF,20%,16V,GP,TP,8x11.5,5		L802	2703-000229	INDUCTOR-SMD:6.8UH,20%,1.25X2X1.25MM	
CP710	2401-000408	C-AL:10uF,20%,16V,GP,TP,3.5x5,2.5		L803	2703-000229	INDUCTOR-SMD:6.8UH,20%,1.25X2X1.25MM	
CP711	2401-001287	C-AL:47uF,20%,16V,GP,TP,5x12mm,-		L804	2703-000229	INDUCTOR-SMD:6.8UH,20%,1.25X2X1.25MM	
CP713	2401-001287	C-AL:47uF,20%,16V,GP,TP,5x12mm,-		L805	2703-000229	INDUCTOR-SMD:6.8UH,20%,1.25X2X1.25MM	
CP72	2401-000010	C-AL:220uF,20%,16V,GP,-,6.3x11mm,2.		L806	2703-000229	INDUCTOR-SMD:6.8UH,20%,1.25X2X1.25MM	
CP73	2401-000010	C-AL:220uF,20%,16V,GP,-,6.3x11mm,2.		L807	2703-000229	INDUCTOR-SMD:6.8UH,20%,1.25X2X1.25MM	
CP74	2401-000273	AL CAPACITOR:100uF,20%,16V,GP,-,6.3x11,2		MOD801	MF40-00129A	RF MODULATOR:RMUP74055FS(S),PAL,40CHANNE	
CP801	2401-000273	AL CAPACITOR:100uF,20%,16V,GP,-,6.3x11,2		Q1006	0504-000180	TR-DIGITAL:DTC114ES,NPN,300mW,10K/10K,SC	
CP802	2401-000273	AL CAPACITOR:100uF,20%,16V,GP,-,6.3x11,2		Q1007	0504-000180	TR-DIGITAL:DTC114ES,NPN,300mW,10K/10K,SC	
CP803	2401-000010	C-AL:220uF,20%,16V,GP,-,6.3x11mm,2.		Q1008	0504-000180	TR-DIGITAL:DTC114ES,NPN,300mW,10K/10K,SC	
CP804	2401-000273	AL CAPACITOR:100uF,20%,16V,GP,-,6.3x11,2		Q1009	0504-000180	TR-DIGITAL:DTC114ES,NPN,300mW,10K/10K,SC	
CP805	2401-000273	AL CAPACITOR:100uF,20%,16V,GP,-,6.3x11,2		Q1010	0502-000360	TR-POWER:TIP42C,PNP,65000MW,TO-220,TP,1	
CP806	2401-000273	AL CAPACITOR:100uF,20%,16V,GP,-,6.3x11,2		Q1011	0502-000360	TR-POWER:TIP42C,PNP,65000MW,TO-220,TP,1	
CP807	2401-001287	C-AL:47uF,20%,16V,GP,TP,5x12mm,-		Q1012	0501-000457	TR-SMALL SIGNAL:MMBT2222A,NPN,350MW,SOT-	
CP808	2401-001287	C-AL:47uF,20%,16V,GP,TP,5x12mm,-		Q1015	0504-000180	TR-DIGITAL:DTC114ES,NPN,300mW,10K/10K,SC	
CP809	2401-000273	AL CAPACITOR:100uF,20%,16V,GP,-,6.3x11,2		Q1023	0501-000316	TR-SMALL SIGNAL:KSA928A-Y,PNP,1000mW,TO-	
CP810	2401-000273	AL CAPACITOR:100uF,20%,16V,GP,-,6.3x11,2		Q1024	0504-000180	TR-DIGITAL:DTC114ES,NPN,300mW,10K/10K,SC	
CP813	2401-000273	AL CAPACITOR:100uF,20%,16V,GP,-,6.3x11,2		Q1025	0504-000180	TR-DIGITAL:DTC114ES,NPN,300mW,10K/10K,SC	
CP814	2401-000273	AL CAPACITOR:100uF,20%,16V,GP,-,6.3x11,2		Q1026	0504-000180	TR-DIGITAL:DTC114ES,NPN,300mW,10K/10K,SC	
CP815	2401-000273	AL CAPACITOR:100uF,20%,16V,GP,-,6.3x11,2		Q400	0501-000457	TR-SMALL SIGNAL:MMBT2222A,NPN,350MW,SOT-	
CP816	2401-000273	AL CAPACITOR:100uF,20%,16V,GP,-,6.3x11,2		Q401	0501-000462	TR-SMALL SIGNAL:MMBT2907A,PNP,350MW,SOT-	
CP817	2401-001287	C-AL:47uF,20%,16V,GP,TP,5x12mm,-		Q402	0501-000462	TR-SMALL SIGNAL:MMBT2907A,PNP,350MW,SOT-	
CP818	2401-000408	C-AL:10uF,20%,16V,GP,TP,3.5x5,2.5		Q403	0501-000457	TR-SMALL SIGNAL:MMBT2222A,NPN,350MW,SOT-	
CP819	2401-000408	C-AL:10uF,20%,16V,GP,TP,3.5x5,2.5		Q650	0501-000316	TR-SMALL SIGNAL:KSA928A-Y,PNP,1000mW,TO-	
CP820	2401-001287	C-AL:47uF,20%,16V,GP,TP,5x12mm,-		Q701	0501-000462	TR-SMALL SIGNAL:MMBT2907A,PNP,350MW,SOT-	
CP821	2401-000273	AL CAPACITOR:100uF,20%,16V,GP,-,6.3x11,2		Q702	0501-000457	TR-SMALL SIGNAL:MMBT2222A,NPN,350MW,SOT-	
CP823	2401-000273	AL CAPACITOR:100uF,20%,16V,GP,-,6.3x11,2		Q703	0501-000462	TR-SMALL SIGNAL:MMBT2907A,PNP,350MW,SOT-	
CP824	2401-000273	AL CAPACITOR:100uF,20%,16V,GP,-,6.3x11,2		Q704	0501-000457	TR-SMALL SIGNAL:MMBT2222A,NPN,350MW,SOT-	
CP825	2401-000273	AL CAPACITOR:100uF,20%,16V,GP,-,6.3x11,2		Q801	0501-000457	TR-SMALL SIGNAL:MMBT2222A,NPN,350MW,SOT-	
CP826	2401-000037	C-AL:470uF,20%,16V,GP,TP,8x11.5,5		Q804	0501-000457	TR-SMALL SIGNAL:MMBT2222A,NPN,350MW,SOT-	
CP827	2401-000408	C-AL:10uF,20%,16V,GP,TP,3.5x5,2.5		Q805	0501-000462	TR-SMALL SIGNAL:MMBT2907A,PNP,350MW,SOT-	
CP828	2401-000037	C-AL:470uF,20%,16V,GP,TP,8x11.5,5		Q806	0501-000316	TR-SMALL SIGNAL:KSA928A-Y,PNP,1000mW,TO-	
CP829	2401-000273	AL CAPACITOR:100uF,20%,16V,GP,-,6.3x11,2		Q807	0501-000457	TR-SMALL SIGNAL:MMBT2222A,NPN,350MW,SOT-	
CP830	2401-000273	AL CAPACITOR:100uF,20%,16V,GP,-,6.3x11,2		Q808	0501-000457	TR-SMALL SIGNAL:MMBT2222A,NPN,350MW,SOT-	
CP831	2401-000677	C-AL:2200uF,20%,10V,GP,TP,10x20mm,5		Q809	0501-000457	TR-SMALL SIGNAL:MMBT2222A,NPN,350MW,SOT-	
CP832	2401-000677	C-AL:2200uF,20%,10V,GP,TP,10x20mm,5		Q810	0504-000180	TR-DIGITAL:DTC114ES,NPN,300mW,10K/10K,SC	
CP833	2401-001287	C-AL:47uF,20%,16V,GP,TP,5x12mm,-		Q811	0501-000462	TR-SMALL SIGNAL:MMBT2907A,PNP,350MW,SOT-	
CP834	2401-001287	C-AL:47uF,20%,16V,GP,TP,5x12mm,-		Q812	0501-000457	TR-SMALL SIGNAL:MMBT2222A,NPN,350MW,SOT-	
CP835	2401-000037	C-AL:470uF,20%,16V,GP,TP,8x11.5,5		Q813	0501-000462	TR-SMALL SIGNAL:MMBT2907A,PNP,350MW,SOT-	
CP836	2401-000010	C-AL:220uF,20%,16V,GP,-,6.3x11mm,2.		Q814	0504-000180	TR-DIGITAL:DTC114ES,NPN,300mW,10K/10K,SC	
D1002	0402-000129	DIODE-RECTIFIER:1N4003,200V,1A,DO-41,TP		Q816	0504-000180	TR-DIGITAL:DTC114ES,NPN,300mW,10K/10K,SC	
D1003	0402-000129	DIODE-RECTIFIER:1N4003,200V,1A,DO-41,TP		Q817	0501-000462	TR-SMALL SIGNAL:MMBT2907A,PNP,350MW,SOT-	
D801	0401-000133	DIODE-SWITCHING:RLS4148,100V,200MA,SOD-8		Q818	0504-000180	TR-DIGITAL:DTC114ES,NPN,300mW,10K/10K,SC	
D804	0401-000133	DIODE-SWITCHING:RLS4148,100V,200MA,SOD-8		Q820	0501-000457	TR-SMALL SIGNAL:MMBT2222A,NPN,350MW,SOT-	
D805	0401-000133	DIODE-SWITCHING:RLS4148,100V,200MA,SOD-8		Q821	0501-000457	TR-SMALL SIGNAL:MMBT2222A,NPN,350MW,SOT-	
D806	0401-000133	DIODE-SWITCHING:RLS4148,100V,200MA,SOD-8		Q822	0501-000457	TR-SMALL SIGNAL:MMBT2222A,NPN,350MW,SOT-	
D807	0401-000133	DIODE-SWITCHING:RLS4148,100V,200MA,SOD-8		Q823	0504-000180	TR-DIGITAL:DTC114ES,NPN,300mW,10K/10K,SC	
D815	0501-000462	TR-SMALL SIGNAL:MMBT2907A,PNP,350MW,SOT-		Q824	0501-000462	TR-SMALL SIGNAL:MMBT2907A,PNP,350MW,SOT-	
D816	0403-001390	DIODE-ZENER:RLZ18B,16.82-17.7V,500mW,LL-		Q825	0501-000462	TR-SMALL SIGNAL:MMBT2907A,PNP,350MW,SOT-	
D817	0403-001390	DIODE-ZENER:RLZ18B,16.82-17.7V,500mW,LL-		Q826	0501-000457	TR-SMALL SIGNAL:MMBT2222A,NPN,350MW,SOT-	
DB201	3701-000320	CONNECTOR-DSUB:9P,2R,FEMALE,ANGLE,AUF		Q827	0501-000462	TR-SMALL SIGNAL:MMBT2907A,PNP,350MW,SOT-	
J100	3711-002633	CONNECTOR-HEADER:NOWALL,2P,1R,2.54mm,STRA		Q828	0502-000360	TR-POWER:TIP42C,PNP,65000MW,TO-220,TP,1	
J103	3711-000754	CONNECTOR-HEADER:BOX,20P,2R,2.54mm,STRAI		Q829	0504-000180	TR-DIGITAL:DTC114ES,NPN,300mW,10K/10K,SC	
J104	3711-000577	CONNECTOR-HEADER:BOX,10P,1R,2.5mm,STRAIG		R100	2007-000300	R-CHIP:10KOHM,5%,1/10W,DA,TP,2012	
J400	MF39-00014A	SUPER VIDEO-JACK:4016-4P-MR,-,-,-,-,-,-,-,-,-,-		R1002	2007-000290	R-CHIP:100OHM,5%,1/10W,DA,TP,2012	
J70	3711-003131	CONNECTOR-HEADER:BOX,13P,1R,2.5mm,STRAIG		R1003	2007-000290	R-CHIP:100OHM,5%,1/10W,DA,TP,2012	
J801	0603-001051	OPTIC TRANSMITTER:5V,6Mb/s,5m,-,15dBm,660		R1004	2007-000290	R-CHIP:100OHM,5%,1/10W,DA,TP,2012	
JR100	3404-001064	SWITCH-TACT:12V,50mA,160gf,6x6x3.5mm,-		R1006	2007-000290	R-CHIP:100OHM,5%,1/10W,DA,TP,2012	
L1002	MF27-00010D	HZ CHIP INDUCTOR:-,2.0x1.25x0.9,-,-,-,-,-,-,-,-,-,-		R1007	2007-000290	R-CHIP:100OHM,5%,1/10W,DA,TP,2012	
L101	2703-000125	INDUCTOR-SMD:10uH,10%,1.25x2x1.25mm		R1008	2007-000290	R-CHIP:100OHM,5%,1/10W,DA,TP,2012	
L102	2703-000125	INDUCTOR-SMD:10uH,10%,1.25x2x1.25mm		R1009	2007-000290	R-CHIP:100OHM,5%,1/10W,DA,TP,2012	
L103	MF27-00010D	HZ CHIP INDUCTOR:-,2.0x1.25x0.9,-,-,-,-,-,-,-,-,-,-		R1010	2007-000290	R-CHIP:100OHM,5%,1/10W,DA,TP,2012	
L104	2703-000125	INDUCTOR-SMD:10uH,10%,1.25x2x1.25mm		R1011	2007-000290	R-CHIP:100OHM,5%,1/10W,DA,TP,2012	
L106	2703-000125	INDUCTOR-SMD:10uH,10%,1.25x2x1.25mm		R1012	2007-000290	R-CHIP:100OHM,5%,1/10W,DA,TP,2012	
L700	2703-000125	INDUCTOR-SMD:10uH,10%,1.25x2x1.25mm		R1013	2007-000290	R-CHIP:100OHM,5%,1/10W,DA,TP,2012	

Electrical Parts List

Loc.No	Part No	Description ; Specification	Remark	Loc.No	Part No	Description ; Specification	Remark
R1015	2007-000290	R-CHIP:100OHM,5%,1/10W,DA,TP,2012		R172	2007-000300	R-CHIP:10KOHM,5%,1/10W,DA,TP,2012	
R102	2007-001043	R-CHIP:560HM,5%,1/10W,DA,TP,2012		R173	2007-000300	R-CHIP:10KOHM,5%,1/10W,DA,TP,2012	
R1023	2007-000981	R-CHIP:5.6KOHM,5%,1/10W,DA,TP,2012		R174	2007-000029	R-CHIP:00HM,5%,1/10W,DA,TP,2012	
R1024	2007-000586	R-CHIP:22KOHM,5%,1/10W,DA,TP,2012		R175	2007-000029	R-CHIP:00HM,5%,1/10W,DA,TP,2012	
R1025	2007-000766	R-CHIP:330OHM,5%,1/10W,DA,TP,2012		R177	2007-000468	R-CHIP:1KOHM,5%,1/10W,DA,TP,2012	
R1026	2007-000947	R-CHIP:470HM,5%,1/10W,DA,TP,2012		R178	2007-000781	R-CHIP:330HM,5%,1/10W,DA,TP,2012	
R1027	2007-000245	R-CHIP:1.5KOHM,5%,1/8W,DA,TP,3216		R179	2007-000029	R-CHIP:00HM,5%,1/10W,DA,TP,2012	
R1028	2007-000300	R-CHIP:10KOHM,5%,1/10W,DA,TP,2012		R181	2007-000300	R-CHIP:10KOHM,5%,1/10W,DA,TP,2012	
R1029	2007-001166	R-CHIP:750HM,5%,1/10W,DA,TP,2012		R182	2007-000300	R-CHIP:10KOHM,5%,1/10W,DA,TP,2012	
R1030	2007-000300	R-CHIP:10KOHM,5%,1/10W,DA,TP,2012		R183	2007-000300	R-CHIP:10KOHM,5%,1/10W,DA,TP,2012	
R1031	2001-001045	R-CARBON(S):1.2KOHM,5%,1/2W,AA,TP,2.4X6		R184	2007-000300	R-CHIP:10KOHM,5%,1/10W,DA,TP,2012	
R1032	2001-000044	R-CARBON:1.2KOHM,5%,1/4W,AA,TP,2.4X6.4M		R185	2007-000300	R-CHIP:10KOHM,5%,1/10W,DA,TP,2012	
R1033	2007-000300	R-CHIP:10KOHM,5%,1/10W,DA,TP,2012		R186	2007-000300	R-CHIP:10KOHM,5%,1/10W,DA,TP,2012	
R104	2007-000300	R-CHIP:10KOHM,5%,1/10W,DA,TP,2012		R187	2007-000300	R-CHIP:10KOHM,5%,1/10W,DA,TP,2012	
R106	2007-000029	R-CHIP:00HM,5%,1/10W,DA,TP,2012		R188	2007-000300	R-CHIP:10KOHM,5%,1/10W,DA,TP,2012	
R108	2007-000029	R-CHIP:00HM,5%,1/10W,DA,TP,2012		R189	2007-000300	R-CHIP:10KOHM,5%,1/10W,DA,TP,2012	
R110	2007-000781	R-CHIP:330HM,5%,1/10W,DA,TP,2012		R190	2007-000300	R-CHIP:10KOHM,5%,1/10W,DA,TP,2012	
R111	2007-000781	R-CHIP:330HM,5%,1/10W,DA,TP,2012		R191	2007-000300	R-CHIP:10KOHM,5%,1/10W,DA,TP,2012	
R112	2007-000781	R-CHIP:330HM,5%,1/10W,DA,TP,2012		R192	2007-000300	R-CHIP:10KOHM,5%,1/10W,DA,TP,2012	
R114	2007-000781	R-CHIP:330HM,5%,1/10W,DA,TP,2012		R193	2007-000300	R-CHIP:10KOHM,5%,1/10W,DA,TP,2012	
R115	2007-000781	R-CHIP:330HM,5%,1/10W,DA,TP,2012		R194	2007-000300	R-CHIP:10KOHM,5%,1/10W,DA,TP,2012	
R116	2007-000781	R-CHIP:330HM,5%,1/10W,DA,TP,2012		R195	2007-000300	R-CHIP:10KOHM,5%,1/10W,DA,TP,2012	
R117	2007-000029	R-CHIP:00HM,5%,1/10W,DA,TP,2012		R196	2007-000300	R-CHIP:10KOHM,5%,1/10W,DA,TP,2012	
R118	2007-000300	R-CHIP:10KOHM,5%,1/10W,DA,TP,2012		R197	2007-000300	R-CHIP:10KOHM,5%,1/10W,DA,TP,2012	
R119	2007-000300	R-CHIP:10KOHM,5%,1/10W,DA,TP,2012		R200	2007-000872	R-CHIP:4.7KOHM,5%,1/10W,DA,TP,2012	
R121	2007-000029	R-CHIP:00HM,5%,1/10W,DA,TP,2012		R2001	2007-000290	R-CHIP:100OHM,5%,1/10W,DA,TP,2012	
R122	2007-000029	R-CHIP:00HM,5%,1/10W,DA,TP,2012		R2002	2007-000290	R-CHIP:100OHM,5%,1/10W,DA,TP,2012	
R1227	2003-000126	R-METAL OXIDE:1.2Kohm,5%,1W,AA,TP,4.3x12		R2003	2007-000029	R-CHIP:00HM,5%,1/10W,DA,TP,2012	
R1228	2007-000457	R-CHIP:18KOHM,5%,1/10W,DA,TP,2012		R2004	2007-000029	R-CHIP:00HM,5%,1/10W,DA,TP,2012	
R1229	2007-000774	R-CHIP:33KOHM,5%,1/10W,DA,TP,2012		R2005	2007-000029	R-CHIP:00HM,5%,1/10W,DA,TP,2012	
R123	2007-001043	R-CHIP:560HM,5%,1/10W,DA,TP,2012		R2006	2007-001166	R-CHIP:750HM,5%,1/10W,DA,TP,2012	
R1230	2007-000300	R-CHIP:10KOHM,5%,1/10W,DA,TP,2012		R2012	2007-000029	R-CHIP:00HM,5%,1/10W,DA,TP,2012	
R1234	2007-000290	R-CHIP:100OHM,5%,1/10W,DA,TP,2012		R2015	MF27-00010D	HZ CHIP INDUCTOR:-2.0x1.25x0.9-.....	
R124	2007-001043	R-CHIP:560HM,5%,1/10W,DA,TP,2012		R2016	2007-000029	R-CHIP:00HM,5%,1/10W,DA,TP,2012	
R125	2007-000029	R-CHIP:00HM,5%,1/10W,DA,TP,2012		R2018	2007-000029	R-CHIP:00HM,5%,1/10W,DA,TP,2012	
R126	2007-001043	R-CHIP:560HM,5%,1/10W,DA,TP,2012		R2019	2007-000029	R-CHIP:00HM,5%,1/10W,DA,TP,2012	
R127	2007-000498	R-CHIP:2.2MOHM,5%,1/10W,DA,TP,2012		R2020	2007-000029	R-CHIP:00HM,5%,1/10W,DA,TP,2012	
R128	2007-000282	R-CHIP:100KOHM,5%,1/10W,DA,TP,2012		R2021	2007-000029	R-CHIP:00HM,5%,1/10W,DA,TP,2012	
R129	2007-000282	R-CHIP:100KOHM,5%,1/10W,DA,TP,2012		R2050	2007-000029	R-CHIP:00HM,5%,1/10W,DA,TP,2012	
R130	2007-000001	R-CHIP:68KOHM,5%,1/10W,DA,TP,2012		R225	2007-000290	R-CHIP:100OHM,5%,1/10W,DA,TP,2012	
R132	2007-000468	R-CHIP:1KOHM,5%,1/10W,DA,TP,2012		R226	2007-000290	R-CHIP:100OHM,5%,1/10W,DA,TP,2012	
R133	2007-000029	R-CHIP:00HM,5%,1/10W,DA,TP,2012		R229	2007-000781	R-CHIP:330HM,5%,1/10W,DA,TP,2012	
R138	2007-000300	R-CHIP:10KOHM,5%,1/10W,DA,TP,2012		R230	2007-000290	R-CHIP:100OHM,5%,1/10W,DA,TP,2012	
R139	2007-000300	R-CHIP:10KOHM,5%,1/10W,DA,TP,2012		R231	2007-000290	R-CHIP:100OHM,5%,1/10W,DA,TP,2012	
R140	2007-000300	R-CHIP:10KOHM,5%,1/10W,DA,TP,2012		R232	2007-000290	R-CHIP:100OHM,5%,1/10W,DA,TP,2012	
R142	2007-000029	R-CHIP:00HM,5%,1/10W,DA,TP,2012		R233	2007-000290	R-CHIP:100OHM,5%,1/10W,DA,TP,2012	
R143	2007-001672	R-CHIP:8.2KOHM,1%,1/10W,DA,TP,2012		R234	2007-000290	R-CHIP:100OHM,5%,1/10W,DA,TP,2012	
R144	2007-000300	R-CHIP:10KOHM,5%,1/10W,DA,TP,2012		R235	2007-000290	R-CHIP:100OHM,5%,1/10W,DA,TP,2012	
R145	2007-000300	R-CHIP:10KOHM,5%,1/10W,DA,TP,2012		R236	2007-000300	R-CHIP:10KOHM,5%,1/10W,DA,TP,2012	
R146	2007-000300	R-CHIP:10KOHM,5%,1/10W,DA,TP,2012		R240	2007-000300	R-CHIP:10KOHM,5%,1/10W,DA,TP,2012	
R156	2007-000468	R-CHIP:1KOHM,5%,1/10W,DA,TP,2012		R241	2007-000300	R-CHIP:10KOHM,5%,1/10W,DA,TP,2012	
R157	2007-000300	R-CHIP:10KOHM,5%,1/10W,DA,TP,2012		R242	2007-000300	R-CHIP:10KOHM,5%,1/10W,DA,TP,2012	
R158	2007-000300	R-CHIP:10KOHM,5%,1/10W,DA,TP,2012		R243	2007-000300	R-CHIP:10KOHM,5%,1/10W,DA,TP,2012	
R159	2007-000029	R-CHIP:00HM,5%,1/10W,DA,TP,2012		R244	2007-001166	R-CHIP:750HM,5%,1/10W,DA,TP,2012	
R160	2007-000029	R-CHIP:00HM,5%,1/10W,DA,TP,2012		R245	2007-001166	R-CHIP:750HM,5%,1/10W,DA,TP,2012	
R161	2007-000029	R-CHIP:00HM,5%,1/10W,DA,TP,2012		R246	2007-001166	R-CHIP:750HM,5%,1/10W,DA,TP,2012	
R162	2007-000029	R-CHIP:00HM,5%,1/10W,DA,TP,2012		R247	2007-000300	R-CHIP:10KOHM,5%,1/10W,DA,TP,2012	
R163	2007-000029	R-CHIP:00HM,5%,1/10W,DA,TP,2012		R249	2007-000300	R-CHIP:10KOHM,5%,1/10W,DA,TP,2012	
R164	2007-000029	R-CHIP:00HM,5%,1/10W,DA,TP,2012		R250	2007-000300	R-CHIP:10KOHM,5%,1/10W,DA,TP,2012	
R165	2007-000468	R-CHIP:1KOHM,5%,1/10W,DA,TP,2012		R251	2007-000300	R-CHIP:10KOHM,5%,1/10W,DA,TP,2012	
R166	2007-000029	R-CHIP:00HM,5%,1/10W,DA,TP,2012		R254	2007-000300	R-CHIP:10KOHM,5%,1/10W,DA,TP,2012	
R167	2007-000468	R-CHIP:1KOHM,5%,1/10W,DA,TP,2012		R258	2007-000029	R-CHIP:00HM,5%,1/10W,DA,TP,2012	
R168	2007-000029	R-CHIP:00HM,5%,1/10W,DA,TP,2012		R259	2007-000029	R-CHIP:00HM,5%,1/10W,DA,TP,2012	
R169	2007-000518	R-CHIP:2.7KOHM,5%,1/10W,DA,TP,2012		R275	2007-000409	R-CHIP:15KOHM,5%,1/10W,DA,TP,2012	
R170	2007-000518	R-CHIP:2.7KOHM,5%,1/10W,DA,TP,2012		R278	2007-000872	R-CHIP:4.7KOHM,5%,1/10W,DA,TP,2012	
R171	2007-000029	R-CHIP:00HM,5%,1/10W,DA,TP,2012		R282	2007-000872	R-CHIP:4.7KOHM,5%,1/10W,DA,TP,2012	

Loc.No	Part No	Description ; Specification	Remark	Loc.No	Part No	Description ; Specification	Remark
R286	2007-000781	R-CHIP:330HM,5%,1/10W,DA,TP,2012		R714	2007-000518	R-CHIP:2.7KOHM,5%,1/10W,DA,TP,2012	
R288	2007-000029	R-CHIP:00HM,5%,1/10W,DA,TP,2012		R715	2007-000710	R-CHIP:3.9KOHM,5%,1/10W,DA,TP,2012	
R289	2007-000029	R-CHIP:00HM,5%,1/10W,DA,TP,2012		R716	2007-000586	R-CHIP:22KOHM,5%,1/10W,DA,TP,2012	
R290	2007-000029	R-CHIP:00HM,5%,1/10W,DA,TP,2012		R728	2007-000029	R-CHIP:00HM,5%,1/10W,DA,TP,2012	
R400	2007-000872	R-CHIP:4.7KOHM,5%,1/10W,DA,TP,2012		R729	2007-000029	R-CHIP:00HM,5%,1/10W,DA,TP,2012	
R401	2007-000029	R-CHIP:00HM,5%,1/10W,DA,TP,2012		R733	2007-000029	R-CHIP:00HM,5%,1/10W,DA,TP,2012	
R402	2007-000290	R-CHIP:100OHM,5%,1/10W,DA,TP,2012		R734	2007-000029	R-CHIP:00HM,5%,1/10W,DA,TP,2012	
R403	2007-000872	R-CHIP:4.7KOHM,5%,1/10W,DA,TP,2012		R736	2007-000290	R-CHIP:100OHM,5%,1/10W,DA,TP,2012	
R404	2007-000026	R-CHIP:200OHM,5%,1/10W,DA,TP,2012		R737	2007-000290	R-CHIP:100OHM,5%,1/10W,DA,TP,2012	
R405	2007-001166	R-CHIP:750HM,5%,1/10W,DA,TP,2012		R738	2007-000290	R-CHIP:100OHM,5%,1/10W,DA,TP,2012	
R406	2007-000457	R-CHIP:18KOHM,5%,1/10W,DA,TP,2012		R739	2007-000290	R-CHIP:100OHM,5%,1/10W,DA,TP,2012	
R407	2007-000572	R-CHIP:220OHM,5%,1/10W,DA,TP,2012		R740	2007-000300	R-CHIP:10KOHM,5%,1/10W,DA,TP,2012	
R408	2007-000872	R-CHIP:4.7KOHM,5%,1/10W,DA,TP,2012		R741	2007-000468	R-CHIP:1KOHM,5%,1/10W,DA,TP,2012	
R409	2007-000931	R-CHIP:470OHM,5%,1/10W,DA,TP,2012		R743	2007-000300	R-CHIP:10KOHM,5%,1/10W,DA,TP,2012	
R410	2007-000029	R-CHIP:00HM,5%,1/10W,DA,TP,2012		R744	2007-000468	R-CHIP:1KOHM,5%,1/10W,DA,TP,2012	
R411	2007-000872	R-CHIP:4.7KOHM,5%,1/10W,DA,TP,2012		R750	2007-000029	R-CHIP:00HM,5%,1/10W,DA,TP,2012	
R412	2007-000290	R-CHIP:100OHM,5%,1/10W,DA,TP,2012		R751	2007-000029	R-CHIP:00HM,5%,1/10W,DA,TP,2012	
R414	2007-000872	R-CHIP:4.7KOHM,5%,1/10W,DA,TP,2012		R752	2007-000029	R-CHIP:00HM,5%,1/10W,DA,TP,2012	
R415	2007-000026	R-CHIP:200OHM,5%,1/10W,DA,TP,2012		R753	2007-000029	R-CHIP:00HM,5%,1/10W,DA,TP,2012	
R417	2007-001166	R-CHIP:750HM,5%,1/10W,DA,TP,2012		R755	2007-000872	R-CHIP:4.7KOHM,5%,1/10W,DA,TP,2012	
R419	2007-000457	R-CHIP:18KOHM,5%,1/10W,DA,TP,2012		R756	2007-000872	R-CHIP:4.7KOHM,5%,1/10W,DA,TP,2012	
R420	2007-000728	R-CHIP:300OHM,5%,1/10W,DA,TP,2012		R757	2007-000029	R-CHIP:00HM,5%,1/10W,DA,TP,2012	
R421	2007-000872	R-CHIP:4.7KOHM,5%,1/10W,DA,TP,2012		R758	2007-000872	R-CHIP:4.7KOHM,5%,1/10W,DA,TP,2012	
R422	2007-000931	R-CHIP:470OHM,5%,1/10W,DA,TP,2012		R761	2007-000029	R-CHIP:00HM,5%,1/10W,DA,TP,2012	
R430	MF27-00010D	HZ CHIP INDUCTOR- 2.0x1.25x0.9,-----,		R769	2007-000029	R-CHIP:00HM,5%,1/10W,DA,TP,2012	
R431	2007-000029	R-CHIP:00HM,5%,1/10W,DA,TP,2012		R790	2007-000029	R-CHIP:00HM,5%,1/10W,DA,TP,2012	
R542	2007-000300	R-CHIP:10KOHM,5%,1/10W,DA,TP,2012		R791	2007-000029	R-CHIP:00HM,5%,1/10W,DA,TP,2012	
R600	2007-000546	R-CHIP:20KOHM,5%,1/10W,DA,TP,2012		R792	2007-000029	R-CHIP:00HM,5%,1/10W,DA,TP,2012	
R601	2007-000300	R-CHIP:10KOHM,5%,1/10W,DA,TP,2012		R793	2007-000029	R-CHIP:00HM,5%,1/10W,DA,TP,2012	
R602	2007-000300	R-CHIP:10KOHM,5%,1/10W,DA,TP,2012		R794	2007-000029	R-CHIP:00HM,5%,1/10W,DA,TP,2012	
R605	2007-001043	R-CHIP:560HM,5%,1/10W,DA,TP,2012		R795	2007-000029	R-CHIP:00HM,5%,1/10W,DA,TP,2012	
R606	2007-001043	R-CHIP:560HM,5%,1/10W,DA,TP,2012		R796	2007-000029	R-CHIP:00HM,5%,1/10W,DA,TP,2012	
R607	2007-000290	R-CHIP:100OHM,5%,1/10W,DA,TP,2012		R797	2007-000029	R-CHIP:00HM,5%,1/10W,DA,TP,2012	
R608	2007-001043	R-CHIP:560HM,5%,1/10W,DA,TP,2012		R798	2007-000029	R-CHIP:00HM,5%,1/10W,DA,TP,2012	
R611	2007-000468	R-CHIP:1KOHM,5%,1/10W,DA,TP,2012		R799	2007-000029	R-CHIP:00HM,5%,1/10W,DA,TP,2012	
R651	2007-000546	R-CHIP:20KOHM,5%,1/10W,DA,TP,2012		R801	2007-000872	R-CHIP:4.7KOHM,5%,1/10W,DA,TP,2012	
R652	2007-000300	R-CHIP:10KOHM,5%,1/10W,DA,TP,2012		R803	2007-000300	R-CHIP:10KOHM,5%,1/10W,DA,TP,2012	
R653	2007-000300	R-CHIP:10KOHM,5%,1/10W,DA,TP,2012		R804	2007-000290	R-CHIP:100OHM,5%,1/10W,DA,TP,2012	
R656	2007-001043	R-CHIP:560HM,5%,1/10W,DA,TP,2012		R806	2007-000290	R-CHIP:100OHM,5%,1/10W,DA,TP,2012	
R657	2007-001043	R-CHIP:560HM,5%,1/10W,DA,TP,2012		R807	2007-001166	R-CHIP:750HM,5%,1/10W,DA,TP,2012	
R658	2007-000290	R-CHIP:100OHM,5%,1/10W,DA,TP,2012		R808	2007-000586	R-CHIP:22KOHM,5%,1/10W,DA,TP,2012	
R659	2007-001043	R-CHIP:560HM,5%,1/10W,DA,TP,2012		R809	2007-000361	R-CHIP:120HM,5%,1/10W,DA,TP,2012	
R662	2007-000468	R-CHIP:1KOHM,5%,1/10W,DA,TP,2012		R810	2007-000586	R-CHIP:22KOHM,5%,1/10W,DA,TP,2012	
R669	2007-000947	R-CHIP:470HM,5%,1/10W,DA,TP,2012		R811	2007-000931	R-CHIP:470OHM,5%,1/10W,DA,TP,2012	
R670	2007-000572	R-CHIP:220OHM,5%,1/10W,DA,TP,2012		R812	2007-000872	R-CHIP:4.7KOHM,5%,1/10W,DA,TP,2012	
R671	2007-000300	R-CHIP:10KOHM,5%,1/10W,DA,TP,2012		R813	2007-001133	R-CHIP:680HM,5%,1/10W,DA,TP,2012	
R672	2007-000477	R-CHIP:1MOHM,5%,1/10W,DA,TP,2012		R814	2007-000457	R-CHIP:18KOHM,5%,1/10W,DA,TP,2012	
R673	2007-001043	R-CHIP:560HM,5%,1/10W,DA,TP,2012		R815	2007-001166	R-CHIP:750HM,5%,1/10W,DA,TP,2012	
R674	2007-001043	R-CHIP:560HM,5%,1/10W,DA,TP,2012		R816	2007-000766	R-CHIP:330OHM,5%,1/10W,DA,TP,2012	
R675	2007-001043	R-CHIP:560HM,5%,1/10W,DA,TP,2012		R817	2007-000872	R-CHIP:4.7KOHM,5%,1/10W,DA,TP,2012	
R676	2007-000029	R-CHIP:00HM,5%,1/10W,DA,TP,2012		R818	2007-000931	R-CHIP:470OHM,5%,1/10W,DA,TP,2012	
R677	2007-000029	R-CHIP:00HM,5%,1/10W,DA,TP,2012		R819	2007-000781	R-CHIP:330HM,5%,1/10W,DA,TP,2012	
R681	2007-000029	R-CHIP:00HM,5%,1/10W,DA,TP,2012		R820	2007-000451	R-CHIP:180OHM,5%,1/8W,DA,TP,3216	
R684	2007-000029	R-CHIP:00HM,5%,1/10W,DA,TP,2012		R821	2007-000457	R-CHIP:18KOHM,5%,1/10W,DA,TP,2012	
R686	2007-000029	R-CHIP:00HM,5%,1/10W,DA,TP,2012		R822	2007-000300	R-CHIP:10KOHM,5%,1/10W,DA,TP,2012	
R688	2007-000029	R-CHIP:00HM,5%,1/10W,DA,TP,2012		R823	2007-000565	R-CHIP:220KOHM,5%,1/10W,DA,TP,2012	
R690	2007-000468	R-CHIP:1KOHM,5%,1/10W,DA,TP,2012		R824	2007-000565	R-CHIP:220KOHM,5%,1/10W,DA,TP,2012	
R691	2007-000468	R-CHIP:1KOHM,5%,1/10W,DA,TP,2012		R825	2007-000457	R-CHIP:18KOHM,5%,1/10W,DA,TP,2012	
R692	2007-001043	R-CHIP:560HM,5%,1/10W,DA,TP,2012		R826	2007-000218	R-CHIP:1.2KOHM,1%,1/10W,DA,TP,2012	
R701	2007-000941	R-CHIP:47KOHM,5%,1/10W,DA,TP,2012		R827	2007-001166	R-CHIP:750HM,5%,1/10W,DA,TP,2012	
R703	2007-000300	R-CHIP:10KOHM,5%,1/10W,DA,TP,2012		R828	2007-000586	R-CHIP:22KOHM,5%,1/10W,DA,TP,2012	
R705	2007-000518	R-CHIP:2.7KOHM,5%,1/10W,DA,TP,2012		R829	2007-000586	R-CHIP:22KOHM,5%,1/10W,DA,TP,2012	
R706	2007-000710	R-CHIP:3.9KOHM,5%,1/10W,DA,TP,2012		R830	2007-000401	R-CHIP:150OHM,5%,1/10W,DA,TP,2012	
R707	2007-000586	R-CHIP:22KOHM,5%,1/10W,DA,TP,2012		R831	2007-000931	R-CHIP:470OHM,5%,1/10W,DA,TP,2012	
R711	2007-000941	R-CHIP:47KOHM,5%,1/10W,DA,TP,2012		R832	2007-000931	R-CHIP:470OHM,5%,1/10W,DA,TP,2012	
R712	2007-000300	R-CHIP:10KOHM,5%,1/10W,DA,TP,2012		R833	2007-000457	R-CHIP:18KOHM,5%,1/10W,DA,TP,2012	

Electrical Parts List

Loc.No	Part No	Description ; Specification	Remark	Loc.No	Part No	Description ; Specification	Remark
R834	2007-000457	R-CHIP:18KOHM,5%,1/10W,DA,TP,2012		C1	2203-000704	C-CERAMIC,CHIP:0.002nf,0.25pf,50V,RH,TP,	
R835	2007-000290	R-CHIP:100OHM,5%,1/10W,DA,TP,2012		C10	2203-000440	C-CERAMIC,CHIP:1nf,10%,50V,X7R,TP,1608,-	
R836	2007-000872	R-CHIP:4.7KOHM,5%,1/10W,DA,TP,2012		C103	2203-000815	C-CERAMIC,CHIP:0.033nf,5%,50V,NPO,TP,160	
R837	2007-000447	R-CHIP:180OHM,1%,1/10W,DA,TP,2012		C105	2203-000815	C-CERAMIC,CHIP:0.033nf,5%,50V,NPO,TP,160	
R838	2007-000361	R-CHIP:120HM,5%,1/10W,DA,TP,2012		C106	2203-000815	C-CERAMIC,CHIP:0.033nf,5%,50V,NPO,TP,160	
R839	2007-000872	R-CHIP:4.7KOHM,5%,1/10W,DA,TP,2012		C107	2203-005148	C-CERAMIC,CHIP:100nf,10%,16V,X7R,TP,1608	
R840	2007-001133	R-CHIP:68OHM,5%,1/10W,DA,TP,2012		C108	2203-000815	C-CERAMIC,CHIP:0.033nf,5%,50V,NPO,TP,160	
R841	2007-000218	R-CHIP:1.2KOHM,1%,1/10W,DA,TP,2012		C109	2203-000440	C-CERAMIC,CHIP:1nf,10%,50V,X7R,TP,1608,-	
R842	2007-001166	R-CHIP:75OHM,5%,1/10W,DA,TP,2012		C11	2203-000440	C-CERAMIC,CHIP:1nf,10%,50V,X7R,TP,1608,-	
R843	2007-000457	R-CHIP:18KOHM,5%,1/10W,DA,TP,2012		C110	2203-000440	C-CERAMIC,CHIP:1nf,10%,50V,X7R,TP,1608,-	
R844	2007-000766	R-CHIP:330OHM,5%,1/10W,DA,TP,2012		C111	2203-005171	C-CERAMIC,CHIP:1uf,10%,16V,X7R,TP,2012,-	
R845	2007-000872	R-CHIP:4.7KOHM,5%,1/10W,DA,TP,2012		C112	2203-005171	C-CERAMIC,CHIP:1uf,10%,16V,X7R,TP,2012,-	
R849	2007-000565	R-CHIP:220KOHM,5%,1/10W,DA,TP,2012		C113	2203-005171	C-CERAMIC,CHIP:1uf,10%,16V,X7R,TP,2012,-	
R850	2007-000565	R-CHIP:220KOHM,5%,1/10W,DA,TP,2012		C114	2203-000440	C-CERAMIC,CHIP:1nf,10%,50V,X7R,TP,1608,-	
R851	2001-000034	R-CARBON:220OHM,5%,1/4W,AA,TP,2.4X6.4MM		C115	2203-000800	C-CERAMIC,CHIP:33nf,10%,25V,X7R,TP,1608	
R852	2001-001114	R-CARBON(S):270OHM,5%,1/2W,AA,TP,2.4X6.4		C116	2203-001103	C-CERAMIC,CHIP:6.8nf,10%,50V,X7R,TP,1608	
R853	2007-000565	R-CHIP:220KOHM,5%,1/10W,DA,TP,2012		C117	2203-000257	C-CERAMIC,CHIP:10nf,10%,50V,X7R,TP,1608	
R854	2001-000036	R-CARBON:330OHM,5%,1/4W,AA,TP,2.4X6.4MM		C118	2402-001071	C-AL,SMD:220uf,20%,10V,GP,TP,8.3x8.3x6.	
R855	2001-000036	R-CARBON:330OHM,5%,1/4W,AA,TP,2.4X6.4MM		C119	2203-000257	C-CERAMIC,CHIP:10nf,10%,50V,X7R,TP,1608	
R856	2007-000218	R-CHIP:1.2KOHM,1%,1/10W,DA,TP,2012		C12	2203-000257	C-CERAMIC,CHIP:10nf,10%,50V,X7R,TP,1608	
R857	2007-000872	R-CHIP:4.7KOHM,5%,1/10W,DA,TP,2012		C120	2203-005171	C-CERAMIC,CHIP:1uf,10%,16V,X7R,TP,2012,-	
R858	2007-000872	R-CHIP:4.7KOHM,5%,1/10W,DA,TP,2012		C121	2203-005171	C-CERAMIC,CHIP:1uf,10%,16V,X7R,TP,2012,-	
R859	2007-000565	R-CHIP:220KOHM,5%,1/10W,DA,TP,2012		C14	2203-000236	C-CERAMIC,CHIP:0.1nf,5%,50V,NPO,TP,1608	
R860	2007-000300	R-CHIP:10KOHM,5%,1/10W,DA,TP,2012		C16	2203-001086	C-CERAMIC,CHIP:0.005nf,0.25pf,50V,NPO,TP	
R861	2007-000300	R-CHIP:10KOHM,5%,1/10W,DA,TP,2012		C2	2203-001086	C-CERAMIC,CHIP:0.005nf,0.25pf,50V,NPO,TP	
R862	2007-000300	R-CHIP:10KOHM,5%,1/10W,DA,TP,2012		C201	2402-000179	C-AL,SMD:47uf,20%,16V,GP,TP,6.6x6.6x5.4	
R863	2007-000218	R-CHIP:1.2KOHM,1%,1/10W,DA,TP,2012		C202	2203-005148	C-CERAMIC,CHIP:100nf,10%,16V,X7R,TP,1608	
R864	2007-000290	R-CHIP:100OHM,5%,1/10W,DA,TP,2012		C203	2203-005148	C-CERAMIC,CHIP:100nf,10%,16V,X7R,TP,1608	
R865	2007-000872	R-CHIP:4.7KOHM,5%,1/10W,DA,TP,2012		C204	2203-005148	C-CERAMIC,CHIP:100nf,10%,16V,X7R,TP,1608	
R866	2007-000361	R-CHIP:120HM,5%,1/10W,DA,TP,2012		C205	2203-000236	C-CERAMIC,CHIP:0.1nf,5%,50V,NPO,TP,1608	
R867	2007-000872	R-CHIP:4.7KOHM,5%,1/10W,DA,TP,2012		C206	2203-000236	C-CERAMIC,CHIP:0.1nf,5%,50V,NPO,TP,1608	
R868	2007-000300	R-CHIP:10KOHM,5%,1/10W,DA,TP,2012		C207	2203-000236	C-CERAMIC,CHIP:0.1nf,5%,50V,NPO,TP,1608	
R869	2007-001133	R-CHIP:68OHM,5%,1/10W,DA,TP,2012		C208	2203-005148	C-CERAMIC,CHIP:100nf,10%,16V,X7R,TP,1608	
R870	2007-001166	R-CHIP:75OHM,5%,1/10W,DA,TP,2012		C209	2203-005148	C-CERAMIC,CHIP:100nf,10%,16V,X7R,TP,1608	
R871	2007-000457	R-CHIP:18KOHM,5%,1/10W,DA,TP,2012		C210	2203-000975	C-CERAMIC,CHIP:47nf,10%,25V,X7R,TP,1608,	
R872	2007-000766	R-CHIP:330OHM,5%,1/10W,DA,TP,2012		C211	2203-000975	C-CERAMIC,CHIP:47nf,10%,25V,X7R,TP,1608,	
R873	2007-000872	R-CHIP:4.7KOHM,5%,1/10W,DA,TP,2012		C212	2203-000975	C-CERAMIC,CHIP:47nf,10%,25V,X7R,TP,1608,	
R874	2007-000468	R-CHIP:1KOHM,5%,1/10W,DA,TP,2012		C213	2203-000975	C-CERAMIC,CHIP:47nf,10%,25V,X7R,TP,1608,	
R875	2007-000931	R-CHIP:470OHM,5%,1/10W,DA,TP,2012		C214	2203-000975	C-CERAMIC,CHIP:47nf,10%,25V,X7R,TP,1608,	
R877	2007-001166	R-CHIP:75OHM,5%,1/10W,DA,TP,2012		C215	2203-000975	C-CERAMIC,CHIP:47nf,10%,25V,X7R,TP,1608,	
R878	2007-000300	R-CHIP:10KOHM,5%,1/10W,DA,TP,2012		C216	2203-000975	C-CERAMIC,CHIP:47nf,10%,25V,X7R,TP,1608,	
R879	2007-001166	R-CHIP:75OHM,5%,1/10W,DA,TP,2012		C217	2203-000975	C-CERAMIC,CHIP:47nf,10%,25V,X7R,TP,1608,	
R880	2007-000931	R-CHIP:470OHM,5%,1/10W,DA,TP,2012		C218	2203-000975	C-CERAMIC,CHIP:47nf,10%,25V,X7R,TP,1608,	
R881	2007-000586	R-CHIP:22KOHM,5%,1/10W,DA,TP,2012		C219	2203-000975	C-CERAMIC,CHIP:47nf,10%,25V,X7R,TP,1608,	
R882	2007-000586	R-CHIP:22KOHM,5%,1/10W,DA,TP,2012		C220	2203-005148	C-CERAMIC,CHIP:100nf,10%,16V,X7R,TP,1608	
R883	2007-000290	R-CHIP:100OHM,5%,1/10W,DA,TP,2012		C221	2402-000179	C-AL,SMD:47uf,20%,16V,GP,TP,6.6x6.6x5.4	
R884	2007-000218	R-CHIP:1.2KOHM,1%,1/10W,DA,TP,2012		C222	2203-005148	C-CERAMIC,CHIP:100nf,10%,16V,X7R,TP,1608	
R885	2007-000872	R-CHIP:4.7KOHM,5%,1/10W,DA,TP,2012		C223	2203-005148	C-CERAMIC,CHIP:100nf,10%,16V,X7R,TP,1608	
R886	2007-000872	R-CHIP:4.7KOHM,5%,1/10W,DA,TP,2012		C224	2402-000179	C-AL,SMD:47uf,20%,16V,GP,TP,6.6x6.6x5.4	
R887	2007-000361	R-CHIP:120HM,5%,1/10W,DA,TP,2012		C225	2203-005148	C-CERAMIC,CHIP:100nf,10%,16V,X7R,TP,1608	
R888	2007-000931	R-CHIP:470OHM,5%,1/10W,DA,TP,2012		C226	2203-000975	C-CERAMIC,CHIP:47nf,10%,25V,X7R,TP,1608,	
R889	2007-000026	R-CHIP:200OHM,5%,1/10W,DA,TP,2012		C3	2203-001086	C-CERAMIC,CHIP:0.005nf,0.25pf,50V,NPO,TP	
R890	2007-000457	R-CHIP:18KOHM,5%,1/10W,DA,TP,2012		C5	2203-000440	C-CERAMIC,CHIP:1nf,10%,50V,X7R,TP,1608,-	
R891	2007-000607	R-CHIP:240OHM,5%,1/10W,DA,TP,2012		C6	2203-000257	C-CERAMIC,CHIP:10nf,10%,50V,X7R,TP,1608	
R892	2007-000872	R-CHIP:4.7KOHM,5%,1/10W,DA,TP,2012		C7	2203-000704	C-CERAMIC,CHIP:0.002nf,0.25pf,50V,RH,TP,	
R893	2007-000931	R-CHIP:470OHM,5%,1/10W,DA,TP,2012		C9	2203-000257	C-CERAMIC,CHIP:10nf,10%,50V,X7R,TP,1608	
R894	2007-000029	R-CHIP:0OHM,5%,1/10W,DA,TP,2012		J101	MF70-00193A	SHIELD EUROSSTAR,ET (#50-50),0.4,-,54,	
R896	2007-000245	R-CHIP:1.5KOHM,5%,1/8W,DA,TP,3216		J201	3711-004724	CONNECTOR-HEADER:NOWALL,31P,1R,2.5mm,ANG	
RP2001	2011-000151	R-NETWORK:100ohm,5%,63mW,L,CHIP,8P,TP		L102	MF27-00010D	HZ CHIP INDUCTOR:-,2.0x1.25x0.9,-,-,-,-,-,	
RP2002	2011-000151	R-NETWORK:100ohm,5%,63mW,L,CHIP,8P,TP		L103	MF27-00010D	HZ CHIP INDUCTOR:-,2.0x1.25x0.9,-,-,-,-,-,	
RP2003	2011-000151	R-NETWORK:100ohm,5%,63mW,L,CHIP,8P,TP		L104	MF27-00010D	HZ CHIP INDUCTOR:-,2.0x1.25x0.9,-,-,-,-,-,	
RP2004	2011-000151	R-NETWORK:100ohm,5%,63mW,L,CHIP,8P,TP		L105	MF27-00010D	HZ CHIP INDUCTOR:-,2.0x1.25x0.9,-,-,-,-,-,	
RP2005	2011-000151	R-NETWORK:100ohm,5%,63mW,L,CHIP,8P,TP		L201	MF27-00010D	HZ CHIP INDUCTOR:-,2.0x1.25x0.9,-,-,-,-,-,	
RP2006	2011-000151	R-NETWORK:100ohm,5%,63mW,L,CHIP,8P,TP		L202	3301-000287	CORE-FERRITE BEAD:AA,3.5x1.0x6.0mm,1500,	
RP2007	2011-000151	R-NETWORK:100ohm,5%,63mW,L,CHIP,8P,TP		Q1	0501-000519	TR-SMALL SIGNAL:BF183,NPN,450mW,SOT-143	
T1001	MF40-00124A	TUNER-SILICON:ICTM200009,-PAL-MULTI,-,-		R1	2007-000070	R-CHIP:0ohm,5%,1/16W,DA,TP,1608	

Loc.No	Part No	Description ; Specification	Remark	Loc.No	Part No	Description ; Specification	Remark
R101	2007-000122	R-CHIP:1.2Kohm,5%,1/16W,DA,TP,1608		BD108	2007-001043	R-CHIP:560HM,5%,1/10W,DA,TP,2012	
R102	2007-000043	R-CHIP:1Kohm,1%,1/16W,DA,TP,1608		BD109	2203-001002	C-CERAMIC,CHIP:0.047nF,5%,50V,NPO,TP,201	
R105	2007-000309	R-CHIP:10ohm,5%,1/16W,DA,TP,1608		BD110	MF27-00010D	HZ CHIP INDUCTOR:-2.0x1.25x0.9,-,,-,-,-,-	
R2	2007-000120	R-CHIP:680ohm,5%,1/16W,DA,TP,1608		BD70	3301-000287	CORE-FERRITE BEAD:AA,3.5x1.0x6.0mm,1500,	
R201	2007-000971	R-CHIP:5.1ohm,5%,1/16W,DA,TP,1608		BD700	3301-000287	CORE-FERRITE BEAD:AA,3.5x1.0x6.0mm,1500,	
R202	2007-000052	R-CHIP:10Kohm,1%,1/16W,DA,TP,1608		BD71	3301-000287	CORE-FERRITE BEAD:AA,3.5x1.0x6.0mm,1500,	
R203	2007-000729	R-CHIP:300ohm,5%,1/16W,DA,TP,1608		BD72	3301-000287	CORE-FERRITE BEAD:AA,3.5x1.0x6.0mm,1500,	
R204	2007-000729	R-CHIP:300ohm,5%,1/16W,DA,TP,1608		BD73	3301-000287	CORE-FERRITE BEAD:AA,3.5x1.0x6.0mm,1500,	
R205	2007-000729	R-CHIP:300ohm,5%,1/16W,DA,TP,1608		BD74	3301-000287	CORE-FERRITE BEAD:AA,3.5x1.0x6.0mm,1500,	
R206	2007-000729	R-CHIP:300ohm,5%,1/16W,DA,TP,1608		BD75	3301-000287	CORE-FERRITE BEAD:AA,3.5x1.0x6.0mm,1500,	
R207	2007-000052	R-CHIP:10Kohm,1%,1/16W,DA,TP,1608		BD801	3301-000287	CORE-FERRITE BEAD:AA,3.5x1.0x6.0mm,1500,	
R208	2007-000729	R-CHIP:300ohm,5%,1/16W,DA,TP,1608		C1	2203-000704	C-CERAMIC,CHIP:0.002nF,0.25pF,50V,RH,TP,	
R209	2007-000084	R-CHIP:4.7Kohm,5%,1/16W,DA,TP,1608		C10	2203-000440	C-CERAMIC,CHIP:1nF,10%,50V,X7R,TP,1608,-	
R210	2007-000070	R-CHIP:0ohm,5%,1/16W,DA,TP,1608		C100	2203-000206	C-CERAMIC,CHIP:100nF,10%,50V,X7R,TP,2012	
R211	2007-000074	R-CHIP:100ohm,5%,1/16W,DA,TP,1608		C1001	2203-000206	C-CERAMIC,CHIP:100nF,10%,50V,X7R,TP,2012	
R212	2007-000074	R-CHIP:100ohm,5%,1/16W,DA,TP,1608		C1007	2203-000206	C-CERAMIC,CHIP:100nF,10%,50V,X7R,TP,2012	
R3	2007-000081	R-CHIP:2.7Kohm,5%,1/16W,DA,TP,1608		C1008	2203-000206	C-CERAMIC,CHIP:100nF,10%,50V,X7R,TP,2012	
R4	2007-000028	R-CHIP:390HM,5%,1/10W,DA,TP,2012		C1009	2203-000206	C-CERAMIC,CHIP:100nF,10%,50V,X7R,TP,2012	
R5	2007-001167	R-CHIP:75ohm,5%,1/16W,DA,TP,1608		C101	2203-000206	C-CERAMIC,CHIP:100nF,10%,50V,X7R,TP,2012	
R6	2007-001167	R-CHIP:75ohm,5%,1/16W,DA,TP,1608		C102	2203-000206	C-CERAMIC,CHIP:100nF,10%,50V,X7R,TP,2012	
R8	2007-000113	R-CHIP:33ohm,5%,1/16W,DA,TP,1608		C103	2203-000206	C-CERAMIC,CHIP:100nF,10%,50V,X7R,TP,2012	
R9	2007-000070	R-CHIP:0ohm,5%,1/16W,DA,TP,1608		C103	2203-000815	C-CERAMIC,CHIP:0.033nF,5%,50V,NPO,TP,160	
T101	MD26-00107A	TRANS:BTB003-1,-,5P5.6uH,-,-,-,-,-,-,-,-,-,-		C104	2203-000206	C-CERAMIC,CHIP:100nF,10%,50V,X7R,TP,2012	
U1	1204-001686	IC-TUNER:1821,QFP,48P,276MIL,PALSTIC,5.		C105	2203-000206	C-CERAMIC,CHIP:100nF,10%,50V,X7R,TP,2012	
U2	1204-001685	IC-DECODER:HM1221,QFP,100P,-,PLRSTIC,3.		C105	2203-000815	C-CERAMIC,CHIP:0.033nF,5%,50V,NPO,TP,160	
Y1	2801-004002	CRYSTAL-UNIT:10.111MHz,30ppm,28-AAA,20pF		C106	2203-000206	C-CERAMIC,CHIP:100nF,10%,50V,X7R,TP,2012	
T801	3722-001345	JACK-SCART:42P,2R,-,SN,BLK,-		C106	2203-000815	C-CERAMIC,CHIP:0.033nF,5%,50V,NPO,TP,160	
T802	3722-001735	JACK-PIN:4P/4C,8.3PI,NL,WHT/YEL/RED/BLK		C1066	2401-001415	C-AL:470uF,20%,35V,GP,TP,10x20.5	
U100	1204-001809	IC-ENCODER/DECODER:ST15512AWE,BGA,256P,1		C107	2203-000206	C-CERAMIC,CHIP:100nF,10%,50V,X7R,TP,2012	
U1004	1203-000157	IC-POS:ADJUST REG.-317,TO-220,3P,-,PLAS		C107	2203-005148	C-CERAMIC,CHIP:100nF,10%,16V,X7R,TP,1608	
U101	0801-002536	IC-CMOS LOGIC:74LCX04,INVERTER,SOIC,14P,		C108	2203-000206	C-CERAMIC,CHIP:100nF,10%,50V,X7R,TP,2012	
U102	1203-001758	IC-RESET:1813,SOT-23,3P,-,PLASTIC,-0.5/		C108	2203-000815	C-CERAMIC,CHIP:0.033nF,5%,50V,NPO,TP,160	
U103	0801-001090	IC-CMOS LOGIC:74HC14,SCHMITT INVERTER,S		C109	2203-000206	C-CERAMIC,CHIP:100nF,10%,50V,X7R,TP,2012	
U104	0803-000111	IC-TTL:74F138,1-OF-8 ENCODER/DEMUX,SO		C109	2203-000440	C-CERAMIC,CHIP:1nF,10%,50V,X7R,TP,1608,-	
U105	0801-002370	IC-CMOS LOGIC:74AC377,D FILP-FLOP,TSSOP,		C111	2203-000440	C-CERAMIC,CHIP:1nF,10%,50V,X7R,TP,1608,-	
U106	0801-002370	IC-CMOS LOGIC:74AC377,D FILP-FLOP,TSSOP,		C110	2203-000206	C-CERAMIC,CHIP:100nF,10%,50V,X7R,TP,2012	
U108	1107-001238	IC-FLASH MEMORY:29LV160,2Mx8/1Mx16BIT,TS		C110	2203-000440	C-CERAMIC,CHIP:1nF,10%,50V,X7R,TP,1608,-	
U112	1105-001390	IC-DRAM:K4S641632F,4K1MX16BIT,TSOP(II)		C111	2203-000206	C-CERAMIC,CHIP:100nF,10%,50V,X7R,TP,2012	
U113	1103-001090	IC-EEPROM:24C128,16Kx8BIT,SOP,8P,150MIL,		C111	2203-005171	C-CERAMIC,CHIP:1uF,10%,16V,X7R,TP,2012,-	
U114	1103-001090	IC-EEPROM:24C128,16Kx8BIT,SOP,8P,150MIL,		C112	2203-000206	C-CERAMIC,CHIP:100nF,10%,50V,X7R,TP,2012	
U201	1006-000347	IC-LINE TRANSCEIVER:202,SOP,16P,150MIL,D		C112	2203-005171	C-CERAMIC,CHIP:1uF,10%,16V,X7R,TP,2012,-	
U600	1205-001448	IC-ICC:TDA8004T,SOP,28P,-,PLASTIC,6.5		C113	2203-001245	C-CERAMIC,CHIP:0.082nF,5%,50V,NPO,TP,201	
U650	1205-001448	IC-ICC:TDA8004T,SOP,28P,-,PLASTIC,6.5		C113	2203-005171	C-CERAMIC,CHIP:1uF,10%,16V,X7R,TP,2012,-	
U651	1203-002242	IC-RESET:1233,SOT-23,4P,-,PLASTIC,-,-,		C114	2203-001245	C-CERAMIC,CHIP:0.082nF,5%,50V,NPO,TP,201	
U652	0801-002536	IC-CMOS LOGIC:74LCX04,INVERTER,SOIC,14P,		C114	2203-000440	C-CERAMIC,CHIP:1nF,10%,50V,X7R,TP,1608,-	
U653	0801-002536	IC-CMOS LOGIC:74LCX04,INVERTER,SOIC,14P,		C115	2203-000609	C-CERAMIC,CHIP:22nF,10%,50V,X7R,TP,2012	
U70	1203-001455	IC-POS:FIXED REG.-1117,DPAK,3P,265MIL,P		C115	2203-000800	C-CERAMIC,CHIP:33nF,10%,25V,X7R,TP,1608	
U700	1002-001059	IC-D/A CONVERTER:CS4330-KS,18BIT,SOP,8P,		C116	2203-000206	C-CERAMIC,CHIP:100nF,10%,50V,X7R,TP,2012	
U701	1201-000167	IC-OP AMP:358,SOP,8P,150MIL,DUAL,100V/mV		C116	2203-001103	C-CERAMIC,CHIP:6.8nF,10%,50V,X7R,TP,1608	
U71	1203-001455	IC-POS:FIXED REG.-1117,DPAK,3P,265MIL,P		C117	2203-000206	C-CERAMIC,CHIP:100nF,10%,50V,X7R,TP,2012	
U72	1203-000273	IC-POS:FIXED REG.-7805,TO-220,3P,-,PLAS		C117	2203-000257	C-CERAMIC,CHIP:10nF,10%,50V,X7R,TP,1608	
U750	1205-002067	IC-TRANSMITTER:STA020D,SO,24P,295MIL,-,3		C118	2203-000206	C-CERAMIC,CHIP:100nF,10%,50V,X7R,TP,2012	
U801	1001-000172	IC-ANALOG SWITCH:4053,SPDT CMOS,SOP,16P,		C118	2402-001071	C-AL,SMD:220uF,20%,10V,GP,TP,8.3x8.3x6.	
VD100	0405-000117	DIODE-VARACTOR:1SV215,30V,10nA,USC,TP		C119	2203-000206	C-CERAMIC,CHIP:100nF,10%,50V,X7R,TP,2012	
VD101	0405-000117	DIODE-VARACTOR:1SV215,30V,10nA,USC,TP		C119	2203-000257	C-CERAMIC,CHIP:10nF,10%,50V,X7R,TP,1608	
X100	2801-003365	CRYSTAL-UNIT:27MHZ,20PPM,28-AAM,17PF,350		C12	2203-000257	C-CERAMIC,CHIP:10nF,10%,50V,X7R,TP,1608	
X1001	1404-000154	THERMISTOR-PTC:0.47ohm,-,-,60Vac,40A,1.8		C120	2203-005171	C-CERAMIC,CHIP:1uF,10%,16V,X7R,TP,2012,-	
X601	2801-004088	CRYSTAL-UNIT:3.5714MHZ,30PPM,28-AAM,16PF		C121	2203-005171	C-CERAMIC,CHIP:1uF,10%,16V,X7R,TP,2012,-	
X800	1404-000233	THERMISTOR-PTC:0.48ohm,-,-,60Vac,40A,1.3		C122	2203-000206	C-CERAMIC,CHIP:100nF,10%,50V,X7R,TP,2012	
3	MF95-10004G	MAIN PCB ASSY:SRV22901FA,DSR9500(VIA/C)		C123	2203-000206	C-CERAMIC,CHIP:100nF,10%,50V,X7R,TP,2012	
BD103	2007-001043	R-CHIP:560HM,5%,1/10W,DA,TP,2012		C124	2203-000206	C-CERAMIC,CHIP:100nF,10%,50V,X7R,TP,2012	
BD104	2007-000029	R-CHIP:00HM,5%,1/10W,DA,TP,2012		C126	2203-000444	C-CERAMIC,CHIP:1nF,10%,50V,X7R,TP,2012,-	
BD105	2007-000029	R-CHIP:00HM,5%,1/10W,DA,TP,2012		C127	2203-000206	C-CERAMIC,CHIP:100nF,10%,50V,X7R,TP,2012	
BD106	2007-000029	R-CHIP:00HM,5%,1/10W,DA,TP,2012		C128	2203-000206	C-CERAMIC,CHIP:100nF,10%,50V,X7R,TP,2012	
BD107	2007-000029	R-CHIP:00HM,5%,1/10W,DA,TP,2012		C129	2203-000206	C-CERAMIC,CHIP:100nF,10%,50V,X7R,TP,2012	
				C130	2203-000206	C-CERAMIC,CHIP:100nF,10%,50V,X7R,TP,2012	

Electrical Parts List

Loc.No	Part No	Description ; Specification	Remark	Loc.No	Part No	Description ; Specification	Remark
C132	2203-000206	C-CERAMIC,CHIP:100nF,10%,50V,X7R,TP,2012		C518	2203-000426	C-CERAMIC,CHIP:0.018nF,5%,50V,NPO,TP,160	
C133	2203-000206	C-CERAMIC,CHIP:100nF,10%,50V,X7R,TP,2012		C519	2203-000426	C-CERAMIC,CHIP:0.018nF,5%,50V,NPO,TP,160	
C139	2203-000206	C-CERAMIC,CHIP:100nF,10%,50V,X7R,TP,2012		C520	2203-000426	C-CERAMIC,CHIP:0.018nF,5%,50V,NPO,TP,160	
C14	2203-000236	C-CERAMIC,CHIP:0.1nF,5%,50V,NPO,TP,1608		C521	2203-000426	C-CERAMIC,CHIP:0.018nF,5%,50V,NPO,TP,160	
C140	2203-000206	C-CERAMIC,CHIP:100nF,10%,50V,X7R,TP,2012		C522	2203-000426	C-CERAMIC,CHIP:0.018nF,5%,50V,NPO,TP,160	
C141	2203-000206	C-CERAMIC,CHIP:100nF,10%,50V,X7R,TP,2012		C523	2203-000426	C-CERAMIC,CHIP:0.018nF,5%,50V,NPO,TP,160	
C142	2203-000206	C-CERAMIC,CHIP:100nF,10%,50V,X7R,TP,2012		C524	2203-000426	C-CERAMIC,CHIP:0.018nF,5%,50V,NPO,TP,160	
C150	2203-000206	C-CERAMIC,CHIP:100nF,10%,50V,X7R,TP,2012		C525	2203-000426	C-CERAMIC,CHIP:0.018nF,5%,50V,NPO,TP,160	
C151	2203-000206	C-CERAMIC,CHIP:100nF,10%,50V,X7R,TP,2012		C526	2203-000206	C-CERAMIC,CHIP:100nF,10%,50V,X7R,TP,2012	
C152	2203-000206	C-CERAMIC,CHIP:100nF,10%,50V,X7R,TP,2012		C527	2203-000426	C-CERAMIC,CHIP:0.018nF,5%,50V,NPO,TP,160	
C153	2203-000206	C-CERAMIC,CHIP:100nF,10%,50V,X7R,TP,2012		C528	2203-000426	C-CERAMIC,CHIP:0.018nF,5%,50V,NPO,TP,160	
C154	2203-000784	C-CERAMIC,CHIP:0.33nF,5%,50V,NPO,TP,2012		C531	2203-000206	C-CERAMIC,CHIP:100nF,10%,50V,X7R,TP,2012	
C155	2203-000784	C-CERAMIC,CHIP:0.33nF,5%,50V,NPO,TP,2012		C532	2203-000206	C-CERAMIC,CHIP:100nF,10%,50V,X7R,TP,2012	
C16	2203-001086	C-CERAMIC,CHIP:0.005nF,0.25pF,50V,NPO,TP		C533	2203-000426	C-CERAMIC,CHIP:0.018nF,5%,50V,NPO,TP,160	
C2	2203-001086	C-CERAMIC,CHIP:0.005nF,0.25pF,50V,NPO,TP		C6	2203-000257	C-CERAMIC,CHIP:10nF,10%,50V,X7R,TP,1608	
C201	2402-000179	C-AL,SMD:47uF,20%,16V,GP,TP,6.6x6.6x5.4		C600	2203-000206	C-CERAMIC,CHIP:100nF,10%,50V,X7R,TP,2012	
C202	2203-005148	C-CERAMIC,CHIP:100nF,10%,16V,X7R,TP,1608		C601	2203-000206	C-CERAMIC,CHIP:100nF,10%,50V,X7R,TP,2012	
C203	2203-005148	C-CERAMIC,CHIP:100nF,10%,16V,X7R,TP,1608		C602	2401-000408	C-AL:10uF,20%,16V,GP,TP,3.5x5.2,5	
C204	2203-005148	C-CERAMIC,CHIP:100nF,10%,16V,X7R,TP,1608		C603	2203-000206	C-CERAMIC,CHIP:100nF,10%,50V,X7R,TP,2012	
C205	2203-000236	C-CERAMIC,CHIP:0.1nF,5%,50V,NPO,TP,1608		C604	2203-000595	C-CERAMIC,CHIP:0.22nF,5%,50V,NPO,TP,2012	
C206	2203-000236	C-CERAMIC,CHIP:0.1nF,5%,50V,NPO,TP,1608		C605	2203-000206	C-CERAMIC,CHIP:100nF,10%,50V,X7R,TP,2012	
C207	2203-000236	C-CERAMIC,CHIP:0.1nF,5%,50V,NPO,TP,1608		C607	2203-000595	C-CERAMIC,CHIP:0.22nF,5%,50V,NPO,TP,2012	
C208	2203-005148	C-CERAMIC,CHIP:100nF,10%,16V,X7R,TP,1608		C608	2203-000206	C-CERAMIC,CHIP:100nF,10%,50V,X7R,TP,2012	
C209	2203-005148	C-CERAMIC,CHIP:100nF,10%,16V,X7R,TP,1608		C609	2203-000206	C-CERAMIC,CHIP:100nF,10%,50V,X7R,TP,2012	
C210	2203-000975	C-CERAMIC,CHIP:47nF,10%,25V,X7R,TP,1608		C650	2203-000206	C-CERAMIC,CHIP:100nF,10%,50V,X7R,TP,2012	
C211	2203-000975	C-CERAMIC,CHIP:47nF,10%,25V,X7R,TP,1608		C651	2203-000206	C-CERAMIC,CHIP:100nF,10%,50V,X7R,TP,2012	
C212	2203-000975	C-CERAMIC,CHIP:47nF,10%,25V,X7R,TP,1608		C652	2401-000408	C-AL:10uF,20%,16V,GP,TP,3.5x5.2,5	
C213	2203-000975	C-CERAMIC,CHIP:47nF,10%,25V,X7R,TP,1608		C653	2203-000206	C-CERAMIC,CHIP:100nF,10%,50V,X7R,TP,2012	
C214	2203-000975	C-CERAMIC,CHIP:47nF,10%,25V,X7R,TP,1608		C654	2203-000595	C-CERAMIC,CHIP:0.22nF,5%,50V,NPO,TP,2012	
C215	2203-000975	C-CERAMIC,CHIP:47nF,10%,25V,X7R,TP,1608		C655	2203-000595	C-CERAMIC,CHIP:0.22nF,5%,50V,NPO,TP,2012	
C216	2203-000975	C-CERAMIC,CHIP:47nF,10%,25V,X7R,TP,1608		C656	2203-000206	C-CERAMIC,CHIP:100nF,10%,50V,X7R,TP,2012	
C217	2203-000975	C-CERAMIC,CHIP:47nF,10%,25V,X7R,TP,1608		C657	2203-000206	C-CERAMIC,CHIP:100nF,10%,50V,X7R,TP,2012	
C218	2203-000975	C-CERAMIC,CHIP:47nF,10%,25V,X7R,TP,1608		C658	2203-000206	C-CERAMIC,CHIP:100nF,10%,50V,X7R,TP,2012	
C219	2203-000975	C-CERAMIC,CHIP:47nF,10%,25V,X7R,TP,1608		C659	2203-000206	C-CERAMIC,CHIP:100nF,10%,50V,X7R,TP,2012	
C220	2203-005148	C-CERAMIC,CHIP:100nF,10%,16V,X7R,TP,1608		C660	2203-000444	C-CERAMIC,CHIP:1nF,10%,50V,X7R,TP,2012,-	
C221	2402-000179	C-AL,SMD:47uF,20%,16V,GP,TP,6.6x6.6x5.4		C661	2203-002392	C-CERAMIC,CHIP:220nF,+80-20%,50V,Y5V,TP,	
C222	2203-005148	C-CERAMIC,CHIP:100nF,10%,16V,X7R,TP,1608		C662	2203-001245	C-CERAMIC,CHIP:0.082nF,5%,50V,NPO,TP,201	
C223	2203-005148	C-CERAMIC,CHIP:100nF,10%,16V,X7R,TP,1608		C663	2203-001245	C-CERAMIC,CHIP:0.082nF,5%,50V,NPO,TP,201	
C224	2402-000179	C-AL,SMD:47uF,20%,16V,GP,TP,6.6x6.6x5.4		C664	2203-000206	C-CERAMIC,CHIP:100nF,10%,50V,X7R,TP,2012	
C225	2203-005148	C-CERAMIC,CHIP:100nF,10%,16V,X7R,TP,1608		C665	2203-000206	C-CERAMIC,CHIP:100nF,10%,50V,X7R,TP,2012	
C226	2203-000975	C-CERAMIC,CHIP:47nF,10%,25V,X7R,TP,1608		C7	2203-000704	C-CERAMIC,CHIP:0.002nF,0.25pF,50V,RH,TP,	
C3	2203-001086	C-CERAMIC,CHIP:0.005nF,0.25pF,50V,NPO,TP		C70	2203-000206	C-CERAMIC,CHIP:100nF,10%,50V,X7R,TP,2012	
C400	2203-000206	C-CERAMIC,CHIP:100nF,10%,50V,X7R,TP,2012		C701	2203-000206	C-CERAMIC,CHIP:100nF,10%,50V,X7R,TP,2012	
C402	2203-001002	C-CERAMIC,CHIP:0.047nF,5%,50V,NPO,TP,201		C702	2203-000595	C-CERAMIC,CHIP:0.22nF,5%,50V,NPO,TP,2012	
C404	2203-000206	C-CERAMIC,CHIP:100nF,10%,50V,X7R,TP,2012		C705	2401-000273	AL CAPACITOR:100uF,20%,16V,GP,-,6.3x11,2	
C405	2203-001002	C-CERAMIC,CHIP:0.047nF,5%,50V,NPO,TP,201		C706	2203-000206	C-CERAMIC,CHIP:100nF,10%,50V,X7R,TP,2012	
C420	2203-000206	C-CERAMIC,CHIP:100nF,10%,50V,X7R,TP,2012		C707	2301-000106	C-FILM,PEF:1.5nF,0.05,100V,TP,10.5*12.5*	
C5	2203-000440	C-CERAMIC,CHIP:1nF,10%,50V,X7R,TP,1608,-		C709	2203-000595	C-CERAMIC,CHIP:0.22nF,5%,50V,NPO,TP,2012	
C500	2203-000206	C-CERAMIC,CHIP:100nF,10%,50V,X7R,TP,2012		C71	2203-000206	C-CERAMIC,CHIP:100nF,10%,50V,X7R,TP,2012	
C501	2203-000206	C-CERAMIC,CHIP:100nF,10%,50V,X7R,TP,2012		C712	2301-000106	C-FILM,PEF:1.5nF,0.05,100V,TP,10.5*12.5*	
C502	2203-000206	C-CERAMIC,CHIP:100nF,10%,50V,X7R,TP,2012		C72	2203-000206	C-CERAMIC,CHIP:100nF,10%,50V,X7R,TP,2012	
C503	2203-000206	C-CERAMIC,CHIP:100nF,10%,50V,X7R,TP,2012		C73	2203-000206	C-CERAMIC,CHIP:100nF,10%,50V,X7R,TP,2012	
C504	2203-000206	C-CERAMIC,CHIP:100nF,10%,50V,X7R,TP,2012		C74	2203-000206	C-CERAMIC,CHIP:100nF,10%,50V,X7R,TP,2012	
C505	2203-000206	C-CERAMIC,CHIP:100nF,10%,50V,X7R,TP,2012		C750	2203-000206	C-CERAMIC,CHIP:100nF,10%,50V,X7R,TP,2012	
C506	2203-000206	C-CERAMIC,CHIP:100nF,10%,50V,X7R,TP,2012		C801	2203-000595	C-CERAMIC,CHIP:0.22nF,5%,50V,NPO,TP,2012	
C507	2203-000206	C-CERAMIC,CHIP:100nF,10%,50V,X7R,TP,2012		C802	2203-000206	C-CERAMIC,CHIP:100nF,10%,50V,X7R,TP,2012	
C508	2203-000206	C-CERAMIC,CHIP:100nF,10%,50V,X7R,TP,2012		C803	2203-001002	C-CERAMIC,CHIP:0.047nF,5%,50V,NPO,TP,201	
C509	2203-000206	C-CERAMIC,CHIP:100nF,10%,50V,X7R,TP,2012		C804	2401-001287	C-AL:47uF,20%,16V,GP,TP,5x12mm,-	
C510	2203-000206	C-CERAMIC,CHIP:100nF,10%,50V,X7R,TP,2012		C805	2401-001287	C-AL:47uF,20%,16V,GP,TP,5x12mm,-	
C511	2203-000206	C-CERAMIC,CHIP:100nF,10%,50V,X7R,TP,2012		C806	2203-000260	C-CERAMIC,CHIP:10nF,10%,50V,X7R,TP,2012	
C512	2203-000426	C-CERAMIC,CHIP:0.018nF,5%,50V,NPO,TP,160		C807	2203-000260	C-CERAMIC,CHIP:10nF,10%,50V,X7R,TP,2012	
C513	2203-000426	C-CERAMIC,CHIP:0.018nF,5%,50V,NPO,TP,160		C808	2203-000444	C-CERAMIC,CHIP:1nF,10%,50V,X7R,TP,2012,-	
C514	2203-000426	C-CERAMIC,CHIP:0.018nF,5%,50V,NPO,TP,160		C809	2203-000260	C-CERAMIC,CHIP:10nF,10%,50V,X7R,TP,2012	
C515	2203-000426	C-CERAMIC,CHIP:0.018nF,5%,50V,NPO,TP,160		C810	2203-000206	C-CERAMIC,CHIP:100nF,10%,50V,X7R,TP,2012	
C516	2203-000426	C-CERAMIC,CHIP:0.018nF,5%,50V,NPO,TP,160		C811	2203-000595	C-CERAMIC,CHIP:0.22nF,5%,50V,NPO,TP,2012	
C517	2203-000426	C-CERAMIC,CHIP:0.018nF,5%,50V,NPO,TP,160		C812	2203-000260	C-CERAMIC,CHIP:10nF,10%,50V,X7R,TP,2012	

Loc.No	Part No	Description ; Specification	Remark	Loc.No	Part No	Description ; Specification	Remark
C813	2203-000260	C-CERAMIC,CHIP:10nF,10%,50V,X7R,TP,2012		CP831	2401-000677	C-AL:2200uf,20%,10V,GP,TP,10x20mm,5	
C814	2203-001002	C-CERAMIC,CHIP:0.047nf,5%,50V,NPO,TP,201		CP832	2401-000677	C-AL:2200uf,20%,10V,GP,TP,10x20mm,5	
C815	2203-000206	C-CERAMIC,CHIP:100nF,10%,50V,X7R,TP,2012		CP833	2401-001287	C-AL:47uf,20%,16V,GP,TP,5x12mm,-	
C816	2203-000595	C-CERAMIC,CHIP:0.22nF,5%,50V,NPO,TP,2012		CP834	2401-001287	C-AL:47uf,20%,16V,GP,TP,5x12mm,-	
C817	2203-000206	C-CERAMIC,CHIP:100nF,10%,50V,X7R,TP,2012		CP835	2401-000037	C-AL:470uf,20%,16V,GP,TP,8x11.5.5	
C818	2203-000260	C-CERAMIC,CHIP:10nF,10%,50V,X7R,TP,2012		CP836	2401-000010	C-AL:220uf,20%,16V,GP,-,6.3x11mm,2	
C819	2203-000260	C-CERAMIC,CHIP:10nF,10%,50V,X7R,TP,2012		D1002	0402-000129	DIODE-RECTIFIER:1N4003,200V,1A,DO-41,TP	
C820	2203-001002	C-CERAMIC,CHIP:0.047nf,5%,50V,NPO,TP,201		D1003	0402-000129	DIODE-RECTIFIER:1N4003,200V,1A,DO-41,TP	
C822	2203-000595	C-CERAMIC,CHIP:0.22nF,5%,50V,NPO,TP,2012		D801	0401-000133	DIODE-SWITCHING:RLS4148,100V,200MA,SOD-8	
C823	2203-000206	C-CERAMIC,CHIP:100nF,10%,50V,X7R,TP,2012		D804	0401-000133	DIODE-SWITCHING:RLS4148,100V,200MA,SOD-8	
C824	2203-000206	C-CERAMIC,CHIP:100nF,10%,50V,X7R,TP,2012		D805	0401-000133	DIODE-SWITCHING:RLS4148,100V,200MA,SOD-8	
C828	2203-000444	C-CERAMIC,CHIP:1nF,10%,50V,X7R,TP,2012,-		D806	0401-000133	DIODE-SWITCHING:RLS4148,100V,200MA,SOD-8	
C829	2203-001002	C-CERAMIC,CHIP:0.047nf,5%,50V,NPO,TP,201		D807	0401-000133	DIODE-SWITCHING:RLS4148,100V,200MA,SOD-8	
C835	2401-000273	AL CAPACITOR:100uf,20%,16V,GP,-,6.3x11,2		D815	0501-000462	TR-SMALL SIGNAL-MMBT2907A,PNP,350MW,SOT-	
C9	2203-000257	C-CERAMIC,CHIP:10nF,10%,50V,X7R,TP,1608		D816	0403-001390	DIODE-ZENER:RLZ18B,16.82-17.7V,500mW,LL-	
CON501	3709-001141	CONNECTOR-CARD EDGE:136p;1.27mm,ANGLE,4U		D817	0403-001390	DIODE-ZENER:RLZ18B,16.82-17.7V,500mW,LL-	
CP101	2401-000037	C-AL:470uf,20%,16V,GP,TP,8x11.5.5		DB201	0703-000320	CONNECTOR-DSUB:9P,2R,FEMALE,ANGLE,AUF	
CP400	2401-000273	AL CAPACITOR:100uf,20%,16V,GP,-,6.3x11,2		J100	3711-002633	CONNECTOR-HEADER:NOWALL,2P,1R,2.54mm,STR	
CP401	2401-000273	AL CAPACITOR:100uf,20%,16V,GP,-,6.3x11,2		J101	MF70-00193A	SHIELD:EUROSTAR,ET(#50-50),0.4,-,54,	
CP402	2401-000273	AL CAPACITOR:100uf,20%,16V,GP,-,6.3x11,2		J103	3711-000754	CONNECTOR-HEADER:BOX,20P,2R,2.54mm,STRAI	
CP404	2401-000273	AL CAPACITOR:100uf,20%,16V,GP,-,6.3x11,2		J104	3711-000577	CONNECTOR-HEADER:BOX,10P,1R,2.5mm,STRAIG	
CP405	2401-000273	AL CAPACITOR:100uf,20%,16V,GP,-,6.3x11,2		J201	3711-004724	CONNECTOR-HEADER:NOWALL,31P,1R,2.5mm,ANG	
CP406	2401-000273	AL CAPACITOR:100uf,20%,16V,GP,-,6.3x11,2		J400	MF39-00014A	SUPER VIDEO-JACK:4016-4P-MR,-,-,-,-,-,-,-,-,-,-	
CP500	2401-000273	AL CAPACITOR:100uf,20%,16V,GP,-,6.3x11,2		J70	3711-003133	CONNECTOR-HEADER:BOX,13P,1R,2.5mm,STRAIG	
CP501	2401-000273	AL CAPACITOR:100uf,20%,16V,GP,-,6.3x11,2		J801	0603-001051	OPTIC TRANSMITTER:5V,6Mb/s,5m,-15dBm,660	
CP502	2401-000273	AL CAPACITOR:100uf,20%,16V,GP,-,6.3x11,2		JR100	3404-001064	SWITCH-TACT:12V,50mA,160gf,6x6x3.5mm,-	
CP503	2401-000273	AL CAPACITOR:100uf,20%,16V,GP,-,6.3x11,2		L1002	MF27-00010D	HZ CHIP INDUCTOR:-,2.0x1.25x0.9,-,-,-,-,-,-,-	
CP70	2401-000037	C-AL:470uf,20%,16V,GP,TP,8x11.5.5		L101	2703-000125	INDUCTOR-SMD:10uH,10%,1.25x2x1.25mm	
CP700	2401-001529	C-AL:47uf,20%,25V,GP,-,5x11,2mm		L102	2703-000125	INDUCTOR-SMD:10uH,10%,1.25x2x1.25mm	
CP703	2401-000408	C-AL:10uf,20%,16V,GP,TP,3.5x5,2.5		L102	MF27-00010D	HZ CHIP INDUCTOR:-,2.0x1.25x0.9,-,-,-,-,-,-,-	
CP704	2401-001287	C-AL:47uf,20%,16V,GP,TP,5x12mm,-		L103	MF27-00010D	HZ CHIP INDUCTOR:-,2.0x1.25x0.9,-,-,-,-,-,-,-	
CP708	2401-001287	C-AL:47uf,20%,16V,GP,TP,5x12mm,-		L103	MF27-00010D	HZ CHIP INDUCTOR:-,2.0x1.25x0.9,-,-,-,-,-,-,-	
CP71	2401-000037	C-AL:470uf,20%,16V,GP,TP,8x11.5.5		L104	2703-000125	INDUCTOR-SMD:10uH,10%,1.25x2x1.25mm	
CP710	2401-000408	C-AL:10uf,20%,16V,GP,TP,3.5x5,2.5		L104	MF27-00010D	HZ CHIP INDUCTOR:-,2.0x1.25x0.9,-,-,-,-,-,-,-	
CP711	2401-001287	C-AL:47uf,20%,16V,GP,TP,5x12mm,-		L105	MF27-00010D	HZ CHIP INDUCTOR:-,2.0x1.25x0.9,-,-,-,-,-,-,-	
CP713	2401-001287	C-AL:47uf,20%,16V,GP,TP,5x12mm,-		L106	2703-000125	INDUCTOR-SMD:10uH,10%,1.25x2x1.25mm	
CP72	2401-000010	C-AL:220uf,20%,16V,GP,-,6.3x11mm,2		L201	MF27-00010D	HZ CHIP INDUCTOR:-,2.0x1.25x0.9,-,-,-,-,-,-,-	
CP73	2401-000010	C-AL:220uf,20%,16V,GP,-,6.3x11mm,2		L202	3301-000287	CORE-FERRITE BEAD-AA,3.5x1.0x6.0mm,1500,	
CP74	2401-000273	AL CAPACITOR:100uf,20%,16V,GP,-,6.3x11,2		L700	2703-000125	INDUCTOR-SMD:10uH,10%,1.25x2x1.25mm	
CP801	2401-000273	AL CAPACITOR:100uf,20%,16V,GP,-,6.3x11,2		L801	3301-000287	CORE-FERRITE BEAD-AA,3.5x1.0x6.0mm,1500,	
CP802	2401-000273	AL CAPACITOR:100uf,20%,16V,GP,-,6.3x11,2		L802	2703-000229	INDUCTOR-SMD:6.8UH,20%,1.25X2X1.25MM	
CP803	2401-000010	C-AL:220uf,20%,16V,GP,-,6.3x11mm,2		L803	2703-000229	INDUCTOR-SMD:6.8UH,20%,1.25X2X1.25MM	
CP804	2401-000273	AL CAPACITOR:100uf,20%,16V,GP,-,6.3x11,2		L804	2703-000229	INDUCTOR-SMD:6.8UH,20%,1.25X2X1.25MM	
CP805	2401-000273	AL CAPACITOR:100uf,20%,16V,GP,-,6.3x11,2		L805	2703-000229	INDUCTOR-SMD:6.8UH,20%,1.25X2X1.25MM	
CP806	2401-000273	AL CAPACITOR:100uf,20%,16V,GP,-,6.3x11,2		L806	2703-000229	INDUCTOR-SMD:6.8UH,20%,1.25X2X1.25MM	
CP807	2401-001287	C-AL:47uf,20%,16V,GP,TP,5x12mm,-		L807	2703-000229	INDUCTOR-SMD:6.8UH,20%,1.25X2X1.25MM	
CP808	2401-001287	C-AL:47uf,20%,16V,GP,TP,5x12mm,-		MOD801	MF40-00129A	RF MODULATOR:RMUPT4055FS(S),PAL,40CHANNE	
CP809	2401-000273	AL CAPACITOR:100uf,20%,16V,GP,-,6.3x11,2		O1	0501-000519	TR-SMALL SIGNAL-BFP183,NPN,450mW,SOT-143	
CP810	2401-000273	AL CAPACITOR:100uf,20%,16V,GP,-,6.3x11,2		O1006	0504-000180	TR-DIGITAL:DTC114ES,NPN,300mW,10K/10K,SC	
CP813	2401-000273	AL CAPACITOR:100uf,20%,16V,GP,-,6.3x11,2		O1007	0504-000180	TR-DIGITAL:DTC114ES,NPN,300mW,10K/10K,SC	
CP814	2401-000273	AL CAPACITOR:100uf,20%,16V,GP,-,6.3x11,2		O1008	0504-000180	TR-DIGITAL:DTC114ES,NPN,300mW,10K/10K,SC	
CP815	2401-000273	AL CAPACITOR:100uf,20%,16V,GP,-,6.3x11,2		O1009	0504-000180	TR-DIGITAL:DTC114ES,NPN,300mW,10K/10K,SC	
CP816	2401-000273	AL CAPACITOR:100uf,20%,16V,GP,-,6.3x11,2		O1010	0502-000360	TR-POWER:TIP42C,PNP,65000MW,TO-220,TP,1	
CP817	2401-001287	C-AL:47uf,20%,16V,GP,TP,5x12mm,-		O1011	0502-000360	TR-POWER:TIP42C,PNP,65000MW,TO-220,TP,1	
CP818	2401-000408	C-AL:10uf,20%,16V,GP,TP,3.5x5,2.5		O1012	0501-000457	TR-SMALL SIGNAL-MMBT2222A,NPN,350MW,SOT-	
CP819	2401-000408	C-AL:10uf,20%,16V,GP,TP,3.5x5,2.5		O1015	0504-000180	TR-DIGITAL:DTC114ES,NPN,300mW,10K/10K,SC	
CP820	2401-001287	C-AL:47uf,20%,16V,GP,TP,5x12mm,-		O1023	0501-000316	TR-SMALL SIGNAL:KSA928A-Y,PNP,1000mW,TO-	
CP821	2401-000273	AL CAPACITOR:100uf,20%,16V,GP,-,6.3x11,2		O1024	0504-000180	TR-DIGITAL:DTC114ES,NPN,300mW,10K/10K,SC	
CP823	2401-000273	AL CAPACITOR:100uf,20%,16V,GP,-,6.3x11,2		O1025	0504-000180	TR-DIGITAL:DTC114ES,NPN,300mW,10K/10K,SC	
CP824	2401-000273	AL CAPACITOR:100uf,20%,16V,GP,-,6.3x11,2		O1026	0504-000180	TR-DIGITAL:DTC114ES,NPN,300mW,10K/10K,SC	
CP825	2401-000273	AL CAPACITOR:100uf,20%,16V,GP,-,6.3x11,2		O400	0501-000457	TR-SMALL SIGNAL-MMBT2222A,NPN,350MW,SOT-	
CP826	2401-000037	C-AL:470uf,20%,16V,GP,TP,8x11.5.5		O401	0501-000462	TR-SMALL SIGNAL-MMBT2907A,PNP,350MW,SOT-	
CP827	2401-000408	C-AL:10uf,20%,16V,GP,TP,3.5x5,2.5		O402	0501-000462	TR-SMALL SIGNAL-MMBT2907A,PNP,350MW,SOT-	
CP828	2401-000037	C-AL:470uf,20%,16V,GP,TP,8x11.5.5		O403	0501-000457	TR-SMALL SIGNAL-MMBT2222A,NPN,350MW,SOT-	
CP829	2401-000273	AL CAPACITOR:100uf,20%,16V,GP,-,6.3x11,2		O650	0501-000316	TR-SMALL SIGNAL:KSA928A-Y,PNP,1000mW,TO-	
CP830	2401-000273	AL CAPACITOR:100uf,20%,16V,GP,-,6.3x11,2		O701	0501-000462	TR-SMALL SIGNAL-MMBT2907A,PNP,350MW,SOT-	

Electrical Parts List

Loc.No	Part No	Description ; Specification	Remark	Loc.No	Part No	Description ; Specification	Remark
Q702	0501-000457	TR-SMALL SIGNAL:MMBT2222A,NPN,350MW,SOT-		R117	2007-000029	R-CHIP:00HM,5%,1/10W,DA,TP,2012	
Q703	0501-000462	TR-SMALL SIGNAL:MMBT2907A,PNP,350MW,SOT-		R118	2007-000300	R-CHIP:10KOHM,5%,1/10W,DA,TP,2012	
Q704	0501-000457	TR-SMALL SIGNAL:MMBT2222A,NPN,350MW,SOT-		R119	2007-000300	R-CHIP:10KOHM,5%,1/10W,DA,TP,2012	
Q801	0501-000457	TR-SMALL SIGNAL:MMBT2222A,NPN,350MW,SOT-		R121	2007-000029	R-CHIP:00HM,5%,1/10W,DA,TP,2012	
Q804	0501-000457	TR-SMALL SIGNAL:MMBT2222A,NPN,350MW,SOT-		R122	2007-000029	R-CHIP:00HM,5%,1/10W,DA,TP,2012	
Q805	0501-000462	TR-SMALL SIGNAL:MMBT2907A,PNP,350MW,SOT-		R1227	2003-000126	R-METAL OXIDE:1.2Kohm,5%,1W,AA,TP,4.3x12	
Q806	0501-000316	TR-SMALL SIGNAL:KSA928A-Y,PNP,1000mW,TO-		R1228	2007-000457	R-CHIP:18KOHM,5%,1/10W,DA,TP,2012	
Q807	0501-000457	TR-SMALL SIGNAL:MMBT2222A,NPN,350MW,SOT-		R1229	2007-000774	R-CHIP:33KOHM,5%,1/10W,DA,TP,2012	
Q808	0501-000457	TR-SMALL SIGNAL:MMBT2222A,NPN,350MW,SOT-		R123	2007-001043	R-CHIP:560HM,5%,1/10W,DA,TP,2012	
Q809	0501-000457	TR-SMALL SIGNAL:MMBT2222A,NPN,350MW,SOT-		R1230	2007-000300	R-CHIP:10KOHM,5%,1/10W,DA,TP,2012	
Q810	0504-000180	TR-DIGITAL:DTC114ES,NPN,300mW,10K/10K,SC		R1234	2007-000290	R-CHIP:100OHM,5%,1/10W,DA,TP,2012	
Q811	0501-000462	TR-SMALL SIGNAL:MMBT2907A,PNP,350MW,SOT-		R124	2007-001043	R-CHIP:560HM,5%,1/10W,DA,TP,2012	
Q812	0501-000457	TR-SMALL SIGNAL:MMBT2222A,NPN,350MW,SOT-		R125	2007-000029	R-CHIP:00HM,5%,1/10W,DA,TP,2012	
Q813	0501-000462	TR-SMALL SIGNAL:MMBT2907A,PNP,350MW,SOT-		R126	2007-001043	R-CHIP:560HM,5%,1/10W,DA,TP,2012	
Q814	0504-000180	TR-DIGITAL:DTC114ES,NPN,300mW,10K/10K,SC		R127	2007-000498	R-CHIP:2.2MOHM,5%,1/10W,DA,TP,2012	
Q816	0504-000180	TR-DIGITAL:DTC114ES,NPN,300mW,10K/10K,SC		R128	2007-000282	R-CHIP:100KOHM,5%,1/10W,DA,TP,2012	
Q817	0501-000462	TR-SMALL SIGNAL:MMBT2907A,PNP,350MW,SOT-		R129	2007-000282	R-CHIP:100KOHM,5%,1/10W,DA,TP,2012	
Q818	0504-000180	TR-DIGITAL:DTC114ES,NPN,300mW,10K/10K,SC		R130	2007-000001	R-CHIP:68KOHM,5%,1/10W,DA,TP,2012	
Q820	0501-000457	TR-SMALL SIGNAL:MMBT2222A,NPN,350MW,SOT-		R132	2007-000468	R-CHIP:1KOHM,5%,1/10W,DA,TP,2012	
Q821	0501-000457	TR-SMALL SIGNAL:MMBT2222A,NPN,350MW,SOT-		R133	2007-000029	R-CHIP:00HM,5%,1/10W,DA,TP,2012	
Q822	0501-000457	TR-SMALL SIGNAL:MMBT2222A,NPN,350MW,SOT-		R138	2007-000300	R-CHIP:10KOHM,5%,1/10W,DA,TP,2012	
Q823	0504-000180	TR-DIGITAL:DTC114ES,NPN,300mW,10K/10K,SC		R139	2007-000300	R-CHIP:10KOHM,5%,1/10W,DA,TP,2012	
Q824	0501-000462	TR-SMALL SIGNAL:MMBT2907A,PNP,350MW,SOT-		R140	2007-000300	R-CHIP:10KOHM,5%,1/10W,DA,TP,2012	
Q825	0501-000462	TR-SMALL SIGNAL:MMBT2907A,PNP,350MW,SOT-		R142	2007-000029	R-CHIP:00HM,5%,1/10W,DA,TP,2012	
Q826	0501-000457	TR-SMALL SIGNAL:MMBT2222A,NPN,350MW,SOT-		R143	2007-001672	R-CHIP:8.2KOHM,1%,1/10W,DA,TP,2012	
Q827	0501-000462	TR-SMALL SIGNAL:MMBT2907A,PNP,350MW,SOT-		R144	2007-000300	R-CHIP:10KOHM,5%,1/10W,DA,TP,2012	
Q828	0502-000360	TR-POWER:TIP42C,PNP,65000MW,TO-220,TP,1		R145	2007-000300	R-CHIP:10KOHM,5%,1/10W,DA,TP,2012	
Q829	0504-000180	TR-DIGITAL:DTC114ES,NPN,300mW,10K/10K,SC		R146	2007-000300	R-CHIP:10KOHM,5%,1/10W,DA,TP,2012	
R1	2007-000070	R-CHIP:0ohm,5%,1/16W,DA,TP,1608		R156	2007-000468	R-CHIP:10KOHM,5%,1/10W,DA,TP,2012	
R100	2007-000300	R-CHIP:10KOHM,5%,1/10W,DA,TP,2012		R157	2007-000300	R-CHIP:10KOHM,5%,1/10W,DA,TP,2012	
R1002	2007-000290	R-CHIP:100OHM,5%,1/10W,DA,TP,2012		R158	2007-000300	R-CHIP:10KOHM,5%,1/10W,DA,TP,2012	
R1003	2007-000290	R-CHIP:100OHM,5%,1/10W,DA,TP,2012		R159	2007-000029	R-CHIP:00HM,5%,1/10W,DA,TP,2012	
R1004	2007-000290	R-CHIP:100OHM,5%,1/10W,DA,TP,2012		R160	2007-000029	R-CHIP:00HM,5%,1/10W,DA,TP,2012	
R1006	2007-000290	R-CHIP:100OHM,5%,1/10W,DA,TP,2012		R161	2007-000029	R-CHIP:00HM,5%,1/10W,DA,TP,2012	
R1007	2007-000290	R-CHIP:100OHM,5%,1/10W,DA,TP,2012		R162	2007-000029	R-CHIP:00HM,5%,1/10W,DA,TP,2012	
R1008	2007-000290	R-CHIP:100OHM,5%,1/10W,DA,TP,2012		R163	2007-000029	R-CHIP:00HM,5%,1/10W,DA,TP,2012	
R1009	2007-000290	R-CHIP:100OHM,5%,1/10W,DA,TP,2012		R164	2007-000029	R-CHIP:00HM,5%,1/10W,DA,TP,2012	
R101	2007-000122	R-CHIP:1.2Kohm,5%,1/16W,DA,TP,1608		R165	2007-000468	R-CHIP:1KOHM,5%,1/10W,DA,TP,2012	
R1010	2007-000290	R-CHIP:100OHM,5%,1/10W,DA,TP,2012		R166	2007-000029	R-CHIP:00HM,5%,1/10W,DA,TP,2012	
R1011	2007-000290	R-CHIP:100OHM,5%,1/10W,DA,TP,2012		R167	2007-000468	R-CHIP:1KOHM,5%,1/10W,DA,TP,2012	
R1012	2007-000290	R-CHIP:100OHM,5%,1/10W,DA,TP,2012		R168	2007-000029	R-CHIP:00HM,5%,1/10W,DA,TP,2012	
R1013	2007-000290	R-CHIP:100OHM,5%,1/10W,DA,TP,2012		R169	2007-000518	R-CHIP:2.7KOHM,5%,1/10W,DA,TP,2012	
R1015	2007-000290	R-CHIP:100OHM,5%,1/10W,DA,TP,2012		R170	2007-000518	R-CHIP:2.7KOHM,5%,1/10W,DA,TP,2012	
R102	2007-001043	R-CHIP:560HM,5%,1/10W,DA,TP,2012		R171	2007-000029	R-CHIP:00HM,5%,1/10W,DA,TP,2012	
R102	2007-000043	R-CHIP:1Kohm,1%,1/16W,DA,TP,1608		R172	2007-000300	R-CHIP:10KOHM,5%,1/10W,DA,TP,2012	
R1023	2007-000981	R-CHIP:5.6KOHM,5%,1/10W,DA,TP,2012		R173	2007-000300	R-CHIP:10KOHM,5%,1/10W,DA,TP,2012	
R1024	2007-000586	R-CHIP:22KOHM,5%,1/10W,DA,TP,2012		R174	2007-000029	R-CHIP:00HM,5%,1/10W,DA,TP,2012	
R1025	2007-000766	R-CHIP:330OHM,5%,1/10W,DA,TP,2012		R175	2007-000029	R-CHIP:00HM,5%,1/10W,DA,TP,2012	
R1026	2007-000947	R-CHIP:470HM,5%,1/10W,DA,TP,2012		R177	2007-000468	R-CHIP:1KOHM,5%,1/10W,DA,TP,2012	
R1027	2007-000245	R-CHIP:1.5KOHM,5%,1/8W,DA,TP,3216		R178	2007-000781	R-CHIP:330HM,5%,1/10W,DA,TP,2012	
R1028	2007-000300	R-CHIP:10KOHM,5%,1/10W,DA,TP,2012		R179	2007-000029	R-CHIP:00HM,5%,1/10W,DA,TP,2012	
R1029	2007-001166	R-CHIP:750HM,5%,1/10W,DA,TP,2012		R181	2007-000300	R-CHIP:10KOHM,5%,1/10W,DA,TP,2012	
R1030	2007-000300	R-CHIP:10KOHM,5%,1/10W,DA,TP,2012		R182	2007-000300	R-CHIP:10KOHM,5%,1/10W,DA,TP,2012	
R1031	2001-001045	R-CARBON(S):1.2KOHM,5%,1/2W,AA,TP,2.4X6		R183	2007-000300	R-CHIP:10KOHM,5%,1/10W,DA,TP,2012	
R1032	2001-000044	R-CARBON:1.2KOHM,5%,1/4W,AA,TP,2.4X6.4M		R184	2007-000300	R-CHIP:10KOHM,5%,1/10W,DA,TP,2012	
R1033	2007-000300	R-CHIP:10KOHM,5%,1/10W,DA,TP,2012		R185	2007-000300	R-CHIP:10KOHM,5%,1/10W,DA,TP,2012	
R104	2007-000300	R-CHIP:10KOHM,5%,1/10W,DA,TP,2012		R186	2007-000300	R-CHIP:10KOHM,5%,1/10W,DA,TP,2012	
R105	2007-000309	R-CHIP:10ohm,5%,1/16W,DA,TP,1608		R187	2007-000300	R-CHIP:10KOHM,5%,1/10W,DA,TP,2012	
R106	2007-000029	R-CHIP:00HM,5%,1/10W,DA,TP,2012		R188	2007-000300	R-CHIP:10KOHM,5%,1/10W,DA,TP,2012	
R108	2007-000029	R-CHIP:00HM,5%,1/10W,DA,TP,2012		R189	2007-000300	R-CHIP:10KOHM,5%,1/10W,DA,TP,2012	
R110	2007-000781	R-CHIP:330HM,5%,1/10W,DA,TP,2012		R190	2007-000300	R-CHIP:10KOHM,5%,1/10W,DA,TP,2012	
R111	2007-000781	R-CHIP:330HM,5%,1/10W,DA,TP,2012		R191	2007-000300	R-CHIP:10KOHM,5%,1/10W,DA,TP,2012	
R112	2007-000781	R-CHIP:330HM,5%,1/10W,DA,TP,2012		R192	2007-000300	R-CHIP:10KOHM,5%,1/10W,DA,TP,2012	
R114	2007-000781	R-CHIP:330HM,5%,1/10W,DA,TP,2012		R193	2007-000300	R-CHIP:10KOHM,5%,1/10W,DA,TP,2012	
R115	2007-000781	R-CHIP:330HM,5%,1/10W,DA,TP,2012		R194	2007-000300	R-CHIP:10KOHM,5%,1/10W,DA,TP,2012	
R116	2007-000781	R-CHIP:330HM,5%,1/10W,DA,TP,2012		R195	2007-000300	R-CHIP:10KOHM,5%,1/10W,DA,TP,2012	

Loc.No	Part No	Description ; Specification	Remark	Loc.No	Part No	Description ; Specification	Remark
R196	2007-000300	R-CHIP:10KOHM,5%,1/10W,DA,TP,2012		R403	2007-000872	R-CHIP:4.7KOHM,5%,1/10W,DA,TP,2012	
R197	2007-000300	R-CHIP:10KOHM,5%,1/10W,DA,TP,2012		R404	2007-000026	R-CHIP:200OHM,5%,1/10W,DA,TP,2012	
R2	2007-000120	R-CHIP:680ohm,5%,1/16W,DA,TP,1608		R405	2007-001166	R-CHIP:750HM,5%,1/10W,DA,TP,2012	
R200	2007-000872	R-CHIP:4.7KOHM,5%,1/10W,DA,TP,2012		R406	2007-000457	R-CHIP:18KOHM,5%,1/10W,DA,TP,2012	
R2001	2007-000290	R-CHIP:100OHM,5%,1/10W,DA,TP,2012		R407	2007-000572	R-CHIP:220OHM,5%,1/10W,DA,TP,2012	
R2002	2007-000290	R-CHIP:100OHM,5%,1/10W,DA,TP,2012		R408	2007-000872	R-CHIP:4.7KOHM,5%,1/10W,DA,TP,2012	
R2003	2007-000029	R-CHIP:00HM,5%,1/10W,DA,TP,2012		R409	2007-000931	R-CHIP:470OHM,5%,1/10W,DA,TP,2012	
R2004	2007-000029	R-CHIP:00HM,5%,1/10W,DA,TP,2012		R410	2007-000029	R-CHIP:00HM,5%,1/10W,DA,TP,2012	
R2005	2007-000029	R-CHIP:00HM,5%,1/10W,DA,TP,2012		R411	2007-000872	R-CHIP:4.7KOHM,5%,1/10W,DA,TP,2012	
R2006	2007-001166	R-CHIP:750HM,5%,1/10W,DA,TP,2012		R412	2007-000290	R-CHIP:100OHM,5%,1/10W,DA,TP,2012	
R201	2007-000971	R-CHIP:5.1ohm,5%,1/16W,DA,TP,1608		R414	2007-000872	R-CHIP:4.7KOHM,5%,1/10W,DA,TP,2012	
R2012	2007-000029	R-CHIP:00HM,5%,1/10W,DA,TP,2012		R415	2007-000026	R-CHIP:200OHM,5%,1/10W,DA,TP,2012	
R2015	MF27-00010D	HZ CHIP INDUCTOR-.20x1.25x0.9,-----		R417	2007-001166	R-CHIP:750HM,5%,1/10W,DA,TP,2012	
R2016	2007-000029	R-CHIP:00HM,5%,1/10W,DA,TP,2012		R419	2007-000457	R-CHIP:18KOHM,5%,1/10W,DA,TP,2012	
R2018	2007-000029	R-CHIP:00HM,5%,1/10W,DA,TP,2012		R420	2007-000728	R-CHIP:300OHM,5%,1/10W,DA,TP,2012	
R2019	2007-000029	R-CHIP:00HM,5%,1/10W,DA,TP,2012		R421	2007-000872	R-CHIP:4.7KOHM,5%,1/10W,DA,TP,2012	
R202	2007-000052	R-CHIP:10Kohm,1%,1/16W,DA,TP,1608		R422	2007-000931	R-CHIP:470OHM,5%,1/10W,DA,TP,2012	
R2020	2007-000029	R-CHIP:00HM,5%,1/10W,DA,TP,2012		R430	MF27-00010D	HZ CHIP INDUCTOR-.20x1.25x0.9,-----	
R2021	2007-000029	R-CHIP:00HM,5%,1/10W,DA,TP,2012		R431	2007-000029	R-CHIP:00HM,5%,1/10W,DA,TP,2012	
R203	2007-000729	R-CHIP:300ohm,5%,1/16W,DA,TP,1608		R5	2007-001167	R-CHIP:75ohm,5%,1/16W,DA,TP,1608	
R204	2007-000729	R-CHIP:300ohm,5%,1/16W,DA,TP,1608		R500	2007-000781	R-CHIP:330HM,5%,1/10W,DA,TP,2012	
R205	2007-000729	R-CHIP:300ohm,5%,1/16W,DA,TP,1608		R501	2007-000290	R-CHIP:100OHM,5%,1/10W,DA,TP,2012	
R2050	2007-000029	R-CHIP:00HM,5%,1/10W,DA,TP,2012		R502	2007-000290	R-CHIP:100OHM,5%,1/10W,DA,TP,2012	
R206	2007-000729	R-CHIP:300ohm,5%,1/16W,DA,TP,1608		R503	2007-000290	R-CHIP:100OHM,5%,1/10W,DA,TP,2012	
R207	2007-000052	R-CHIP:10Kohm,1%,1/16W,DA,TP,1608		R504	2007-000781	R-CHIP:330HM,5%,1/10W,DA,TP,2012	
R208	2007-000729	R-CHIP:300ohm,5%,1/16W,DA,TP,1608		R505	2007-000781	R-CHIP:330HM,5%,1/10W,DA,TP,2012	
R209	2007-000084	R-CHIP:4.7Kohm,5%,1/16W,DA,TP,1608		R506	2007-000290	R-CHIP:100OHM,5%,1/10W,DA,TP,2012	
R210	2007-000070	R-CHIP:0ohm,5%,1/16W,DA,TP,1608		R507	2007-000290	R-CHIP:100OHM,5%,1/10W,DA,TP,2012	
R211	2007-000074	R-CHIP:100ohm,5%,1/16W,DA,TP,1608		R508	2007-000290	R-CHIP:100OHM,5%,1/10W,DA,TP,2012	
R212	2007-000074	R-CHIP:100ohm,5%,1/16W,DA,TP,1608		R509	2007-000781	R-CHIP:330HM,5%,1/10W,DA,TP,2012	
R225	2007-000290	R-CHIP:100OHM,5%,1/10W,DA,TP,2012		R510	2007-000781	R-CHIP:330HM,5%,1/10W,DA,TP,2012	
R226	2007-000290	R-CHIP:100OHM,5%,1/10W,DA,TP,2012		R511	2007-000781	R-CHIP:330HM,5%,1/10W,DA,TP,2012	
R229	2007-000781	R-CHIP:330HM,5%,1/10W,DA,TP,2012		R514	2007-000290	R-CHIP:100OHM,5%,1/10W,DA,TP,2012	
R230	2007-000290	R-CHIP:100OHM,5%,1/10W,DA,TP,2012		R515	2007-000290	R-CHIP:100OHM,5%,1/10W,DA,TP,2012	
R231	2007-000290	R-CHIP:100OHM,5%,1/10W,DA,TP,2012		R516	2007-000290	R-CHIP:100OHM,5%,1/10W,DA,TP,2012	
R232	2007-000290	R-CHIP:100OHM,5%,1/10W,DA,TP,2012		R517	2007-000300	R-CHIP:10KOHM,5%,1/10W,DA,TP,2012	
R233	2007-000290	R-CHIP:100OHM,5%,1/10W,DA,TP,2012		R518	2007-000300	R-CHIP:10KOHM,5%,1/10W,DA,TP,2012	
R234	2007-000290	R-CHIP:100OHM,5%,1/10W,DA,TP,2012		R519	2007-000300	R-CHIP:10KOHM,5%,1/10W,DA,TP,2012	
R235	2007-000290	R-CHIP:100OHM,5%,1/10W,DA,TP,2012		R520	2007-000300	R-CHIP:10KOHM,5%,1/10W,DA,TP,2012	
R236	2007-000300	R-CHIP:10KOHM,5%,1/10W,DA,TP,2012		R521	2007-000029	R-CHIP:00HM,5%,1/10W,DA,TP,2012	
R240	2007-000300	R-CHIP:10KOHM,5%,1/10W,DA,TP,2012		R522	2007-000781	R-CHIP:330HM,5%,1/10W,DA,TP,2012	
R241	2007-000300	R-CHIP:10KOHM,5%,1/10W,DA,TP,2012		R523	2007-000290	R-CHIP:100OHM,5%,1/10W,DA,TP,2012	
R242	2007-000300	R-CHIP:10KOHM,5%,1/10W,DA,TP,2012		R525	2007-000781	R-CHIP:330HM,5%,1/10W,DA,TP,2012	
R243	2007-000300	R-CHIP:10KOHM,5%,1/10W,DA,TP,2012		R526	2007-000290	R-CHIP:100OHM,5%,1/10W,DA,TP,2012	
R244	2007-001166	R-CHIP:750HM,5%,1/10W,DA,TP,2012		R527	2007-000781	R-CHIP:330HM,5%,1/10W,DA,TP,2012	
R245	2007-001166	R-CHIP:750HM,5%,1/10W,DA,TP,2012		R528	2007-000290	R-CHIP:100OHM,5%,1/10W,DA,TP,2012	
R246	2007-001166	R-CHIP:750HM,5%,1/10W,DA,TP,2012		R529	2007-000781	R-CHIP:330HM,5%,1/10W,DA,TP,2012	
R247	2007-000300	R-CHIP:10KOHM,5%,1/10W,DA,TP,2012		R530	2007-000781	R-CHIP:330HM,5%,1/10W,DA,TP,2012	
R249	2007-000300	R-CHIP:10KOHM,5%,1/10W,DA,TP,2012		R532	2007-000029	R-CHIP:00HM,5%,1/10W,DA,TP,2012	
R250	2007-000300	R-CHIP:10KOHM,5%,1/10W,DA,TP,2012		R533	2007-000029	R-CHIP:00HM,5%,1/10W,DA,TP,2012	
R251	2007-000300	R-CHIP:10KOHM,5%,1/10W,DA,TP,2012		R534	2007-000300	R-CHIP:10KOHM,5%,1/10W,DA,TP,2012	
R254	2007-000300	R-CHIP:10KOHM,5%,1/10W,DA,TP,2012		R535	2007-000300	R-CHIP:10KOHM,5%,1/10W,DA,TP,2012	
R258	2007-000029	R-CHIP:00HM,5%,1/10W,DA,TP,2012		R536	2007-000300	R-CHIP:10KOHM,5%,1/10W,DA,TP,2012	
R259	2007-000029	R-CHIP:00HM,5%,1/10W,DA,TP,2012		R537	2007-000300	R-CHIP:10KOHM,5%,1/10W,DA,TP,2012	
R275	2007-000409	R-CHIP:15KOHM,5%,1/10W,DA,TP,2012		R539	2007-000468	R-CHIP:1KOHM,5%,1/10W,DA,TP,2012	
R278	2007-000872	R-CHIP:4.7KOHM,5%,1/10W,DA,TP,2012		R541	2007-000468	R-CHIP:1KOHM,5%,1/10W,DA,TP,2012	
R282	2007-000872	R-CHIP:4.7KOHM,5%,1/10W,DA,TP,2012		R542	2007-000300	R-CHIP:10KOHM,5%,1/10W,DA,TP,2012	
R286	2007-000781	R-CHIP:330HM,5%,1/10W,DA,TP,2012		R543	2007-000029	R-CHIP:00HM,5%,1/10W,DA,TP,2012	
R288	2007-000029	R-CHIP:00HM,5%,1/10W,DA,TP,2012		R544	2007-000029	R-CHIP:00HM,5%,1/10W,DA,TP,2012	
R289	2007-000029	R-CHIP:00HM,5%,1/10W,DA,TP,2012		R546	2007-000029	R-CHIP:00HM,5%,1/10W,DA,TP,2012	
R290	2007-000029	R-CHIP:00HM,5%,1/10W,DA,TP,2012		R550	2007-000029	R-CHIP:00HM,5%,1/10W,DA,TP,2012	
R3	2007-000081	R-CHIP:2.7Kohm,5%,1/16W,DA,TP,1608		R6	2007-001167	R-CHIP:75ohm,5%,1/16W,DA,TP,1608	
R4	2007-000028	R-CHIP:390HM,5%,1/10W,DA,TP,2012		R600	2007-000546	R-CHIP:20KOHM,5%,1/10W,DA,TP,2012	
R400	2007-000872	R-CHIP:4.7KOHM,5%,1/10W,DA,TP,2012		R601	2007-000300	R-CHIP:10KOHM,5%,1/10W,DA,TP,2012	
R401	2007-000029	R-CHIP:00HM,5%,1/10W,DA,TP,2012		R602	2007-000300	R-CHIP:10KOHM,5%,1/10W,DA,TP,2012	
R402	2007-000290	R-CHIP:100OHM,5%,1/10W,DA,TP,2012		R605	2007-001043	R-CHIP:560HM,5%,1/10W,DA,TP,2012	

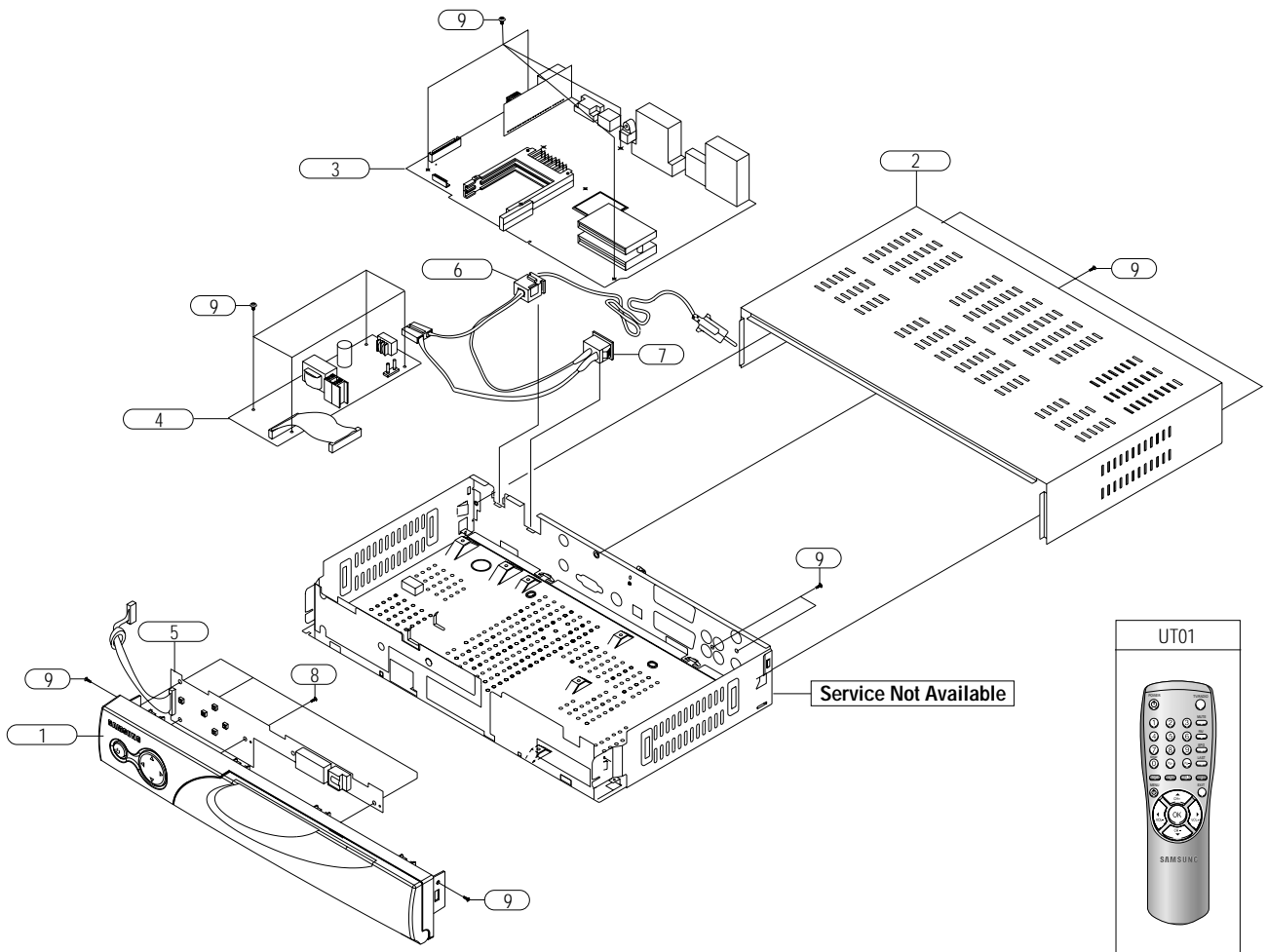
Electrical Parts List

Loc.No	Part No	Description ; Specification	Remark	Loc.No	Part No	Description ; Specification	Remark
R606	2007-001043	R-CHIP:560HM,5%,1/10W,DA,TP,2012		R809	2007-000361	R-CHIP:120HM,5%,1/10W,DA,TP,2012	
R607	2007-000290	R-CHIP:1000HM,5%,1/10W,DA,TP,2012		R810	2007-000586	R-CHIP:22KOHM,5%,1/10W,DA,TP,2012	
R608	2007-001043	R-CHIP:560HM,5%,1/10W,DA,TP,2012		R811	2007-000931	R-CHIP:4700HM,5%,1/10W,DA,TP,2012	
R611	2007-000468	R-CHIP:1KOHM,5%,1/10W,DA,TP,2012		R812	2007-000872	R-CHIP:4.7KOHM,5%,1/10W,DA,TP,2012	
R651	2007-000546	R-CHIP:20KOHM,5%,1/10W,DA,TP,2012		R813	2007-001133	R-CHIP:680HM,5%,1/10W,DA,TP,2012	
R652	2007-000300	R-CHIP:10KOHM,5%,1/10W,DA,TP,2012		R814	2007-000457	R-CHIP:18KOHM,5%,1/10W,DA,TP,2012	
R653	2007-000300	R-CHIP:10KOHM,5%,1/10W,DA,TP,2012		R815	2007-001166	R-CHIP:750HM,5%,1/10W,DA,TP,2012	
R656	2007-001043	R-CHIP:560HM,5%,1/10W,DA,TP,2012		R816	2007-000766	R-CHIP:3300HM,5%,1/10W,DA,TP,2012	
R657	2007-001043	R-CHIP:560HM,5%,1/10W,DA,TP,2012		R817	2007-000872	R-CHIP:4.7KOHM,5%,1/10W,DA,TP,2012	
R658	2007-000290	R-CHIP:1000HM,5%,1/10W,DA,TP,2012		R818	2007-000931	R-CHIP:4700HM,5%,1/10W,DA,TP,2012	
R659	2007-001043	R-CHIP:560HM,5%,1/10W,DA,TP,2012		R819	2007-000781	R-CHIP:330HM,5%,1/10W,DA,TP,2012	
R662	2007-000468	R-CHIP:1KOHM,5%,1/10W,DA,TP,2012		R820	2007-000451	R-CHIP:1800HM,5%,1/8W,DA,TP,3216	
R669	2007-000947	R-CHIP:470HM,5%,1/10W,DA,TP,2012		R821	2007-000457	R-CHIP:18KOHM,5%,1/10W,DA,TP,2012	
R670	2007-000572	R-CHIP:2200HM,5%,1/10W,DA,TP,2012		R822	2007-000300	R-CHIP:10KOHM,5%,1/10W,DA,TP,2012	
R671	2007-000300	R-CHIP:10KOHM,5%,1/10W,DA,TP,2012		R823	2007-000565	R-CHIP:220KOHM,5%,1/10W,DA,TP,2012	
R672	2007-000477	R-CHIP:1MOHM,5%,1/10W,DA,TP,2012		R824	2007-000565	R-CHIP:220KOHM,5%,1/10W,DA,TP,2012	
R673	2007-001043	R-CHIP:560HM,5%,1/10W,DA,TP,2012		R825	2007-000457	R-CHIP:18KOHM,5%,1/10W,DA,TP,2012	
R674	2007-001043	R-CHIP:560HM,5%,1/10W,DA,TP,2012		R826	2007-000218	R-CHIP:1.2KOHM,1%,1/10W,DA,TP,2012	
R675	2007-001043	R-CHIP:560HM,5%,1/10W,DA,TP,2012		R827	2007-001166	R-CHIP:750HM,5%,1/10W,DA,TP,2012	
R676	2007-000029	R-CHIP:00HM,5%,1/10W,DA,TP,2012		R828	2007-000586	R-CHIP:22KOHM,5%,1/10W,DA,TP,2012	
R677	2007-000029	R-CHIP:00HM,5%,1/10W,DA,TP,2012		R829	2007-000586	R-CHIP:22KOHM,5%,1/10W,DA,TP,2012	
R681	2007-000029	R-CHIP:00HM,5%,1/10W,DA,TP,2012		R830	2007-000401	R-CHIP:1500HM,5%,1/10W,DA,TP,2012	
R684	2007-000029	R-CHIP:00HM,5%,1/10W,DA,TP,2012		R831	2007-000931	R-CHIP:4700HM,5%,1/10W,DA,TP,2012	
R686	2007-000029	R-CHIP:00HM,5%,1/10W,DA,TP,2012		R832	2007-000931	R-CHIP:4700HM,5%,1/10W,DA,TP,2012	
R688	2007-000029	R-CHIP:00HM,5%,1/10W,DA,TP,2012		R833	2007-000457	R-CHIP:18KOHM,5%,1/10W,DA,TP,2012	
R690	2007-000468	R-CHIP:1KOHM,5%,1/10W,DA,TP,2012		R834	2007-000457	R-CHIP:18KOHM,5%,1/10W,DA,TP,2012	
R691	2007-000468	R-CHIP:1KOHM,5%,1/10W,DA,TP,2012		R835	2007-000290	R-CHIP:1000HM,5%,1/10W,DA,TP,2012	
R692	2007-001043	R-CHIP:560HM,5%,1/10W,DA,TP,2012		R836	2007-000872	R-CHIP:4.7KOHM,5%,1/10W,DA,TP,2012	
R701	2007-000941	R-CHIP:47KOHM,5%,1/10W,DA,TP,2012		R837	2007-000447	R-CHIP:1800HM,1%,1/10W,DA,TP,2012	
R703	2007-000300	R-CHIP:10KOHM,5%,1/10W,DA,TP,2012		R838	2007-000361	R-CHIP:120HM,5%,1/10W,DA,TP,2012	
R705	2007-000518	R-CHIP:2.7KOHM,5%,1/10W,DA,TP,2012		R839	2007-000872	R-CHIP:4.7KOHM,5%,1/10W,DA,TP,2012	
R706	2007-000710	R-CHIP:3.9KOHM,5%,1/10W,DA,TP,2012		R840	2007-001133	R-CHIP:680HM,5%,1/10W,DA,TP,2012	
R707	2007-000586	R-CHIP:22KOHM,5%,1/10W,DA,TP,2012		R841	2007-000218	R-CHIP:1.2KOHM,1%,1/10W,DA,TP,2012	
R711	2007-000941	R-CHIP:47KOHM,5%,1/10W,DA,TP,2012		R842	2007-001166	R-CHIP:750HM,5%,1/10W,DA,TP,2012	
R712	2007-000300	R-CHIP:10KOHM,5%,1/10W,DA,TP,2012		R843	2007-000457	R-CHIP:18KOHM,5%,1/10W,DA,TP,2012	
R714	2007-000518	R-CHIP:2.7KOHM,5%,1/10W,DA,TP,2012		R844	2007-000766	R-CHIP:3300HM,5%,1/10W,DA,TP,2012	
R715	2007-000710	R-CHIP:3.9KOHM,5%,1/10W,DA,TP,2012		R845	2007-000872	R-CHIP:4.7KOHM,5%,1/10W,DA,TP,2012	
R716	2007-000586	R-CHIP:22KOHM,5%,1/10W,DA,TP,2012		R849	2007-000565	R-CHIP:220KOHM,5%,1/10W,DA,TP,2012	
R728	2007-000029	R-CHIP:00HM,5%,1/10W,DA,TP,2012		R850	2007-000565	R-CHIP:220KOHM,5%,1/10W,DA,TP,2012	
R729	2007-000029	R-CHIP:00HM,5%,1/10W,DA,TP,2012		R851	2001-000034	R-CARBON:2200HM,5%,1/4W,AA,TP,2.4X6.4MM	
R733	2007-000029	R-CHIP:00HM,5%,1/10W,DA,TP,2012		R852	2001-001114	R-CARBON(S):2700HM,5%,1/2W,AA,TP,2.4X6.4	
R734	2007-000029	R-CHIP:00HM,5%,1/10W,DA,TP,2012		R853	2007-000565	R-CHIP:220KOHM,5%,1/10W,DA,TP,2012	
R736	2007-000290	R-CHIP:1000HM,5%,1/10W,DA,TP,2012		R854	2001-000036	R-CARBON:3300HM,5%,1/4W,AA,TP,2.4X6.4MM	
R737	2007-000290	R-CHIP:1000HM,5%,1/10W,DA,TP,2012		R855	2001-000036	R-CARBON:3300HM,5%,1/4W,AA,TP,2.4X6.4MM	
R738	2007-000290	R-CHIP:1000HM,5%,1/10W,DA,TP,2012		R856	2007-000218	R-CHIP:1.2KOHM,1%,1/10W,DA,TP,2012	
R739	2007-000290	R-CHIP:1000HM,5%,1/10W,DA,TP,2012		R857	2007-000872	R-CHIP:4.7KOHM,5%,1/10W,DA,TP,2012	
R740	2007-000300	R-CHIP:10KOHM,5%,1/10W,DA,TP,2012		R858	2007-000872	R-CHIP:4.7KOHM,5%,1/10W,DA,TP,2012	
R741	2007-000468	R-CHIP:1KOHM,5%,1/10W,DA,TP,2012		R859	2007-000565	R-CHIP:220KOHM,5%,1/10W,DA,TP,2012	
R743	2007-000300	R-CHIP:10KOHM,5%,1/10W,DA,TP,2012		R860	2007-000300	R-CHIP:10KOHM,5%,1/10W,DA,TP,2012	
R744	2007-000468	R-CHIP:1KOHM,5%,1/10W,DA,TP,2012		R861	2007-000300	R-CHIP:10KOHM,5%,1/10W,DA,TP,2012	
R750	2007-000029	R-CHIP:00HM,5%,1/10W,DA,TP,2012		R862	2007-000300	R-CHIP:10KOHM,5%,1/10W,DA,TP,2012	
R751	2007-000029	R-CHIP:00HM,5%,1/10W,DA,TP,2012		R863	2007-000218	R-CHIP:1.2KOHM,1%,1/10W,DA,TP,2012	
R752	2007-000029	R-CHIP:00HM,5%,1/10W,DA,TP,2012		R864	2007-000290	R-CHIP:1000HM,5%,1/10W,DA,TP,2012	
R753	2007-000029	R-CHIP:00HM,5%,1/10W,DA,TP,2012		R865	2007-000872	R-CHIP:4.7KOHM,5%,1/10W,DA,TP,2012	
R755	2007-000872	R-CHIP:4.7KOHM,5%,1/10W,DA,TP,2012		R866	2007-000361	R-CHIP:120HM,5%,1/10W,DA,TP,2012	
R756	2007-000872	R-CHIP:4.7KOHM,5%,1/10W,DA,TP,2012		R867	2007-000872	R-CHIP:4.7KOHM,5%,1/10W,DA,TP,2012	
R757	2007-000029	R-CHIP:00HM,5%,1/10W,DA,TP,2012		R868	2007-000300	R-CHIP:10KOHM,5%,1/10W,DA,TP,2012	
R758	2007-000872	R-CHIP:4.7KOHM,5%,1/10W,DA,TP,2012		R869	2007-001133	R-CHIP:680HM,5%,1/10W,DA,TP,2012	
R761	2007-000029	R-CHIP:00HM,5%,1/10W,DA,TP,2012		R870	2007-001166	R-CHIP:750HM,5%,1/10W,DA,TP,2012	
R8	2007-000113	R-CHIP:33ohm,5%,1/16W,DA,TP,1608		R871	2007-000457	R-CHIP:18KOHM,5%,1/10W,DA,TP,2012	
R801	2007-000872	R-CHIP:4.7KOHM,5%,1/10W,DA,TP,2012		R872	2007-000766	R-CHIP:3300HM,5%,1/10W,DA,TP,2012	
R803	2007-000300	R-CHIP:10KOHM,5%,1/10W,DA,TP,2012		R873	2007-000872	R-CHIP:4.7KOHM,5%,1/10W,DA,TP,2012	
R804	2007-000290	R-CHIP:1000HM,5%,1/10W,DA,TP,2012		R874	2007-000468	R-CHIP:1KOHM,5%,1/10W,DA,TP,2012	
R806	2007-000290	R-CHIP:1000HM,5%,1/10W,DA,TP,2012		R875	2007-000931	R-CHIP:4700HM,5%,1/10W,DA,TP,2012	
R807	2007-001166	R-CHIP:750HM,5%,1/10W,DA,TP,2012		R877	2007-001166	R-CHIP:750HM,5%,1/10W,DA,TP,2012	
R808	2007-000586	R-CHIP:22KOHM,5%,1/10W,DA,TP,2012		R878	2007-000300	R-CHIP:10KOHM,5%,1/10W,DA,TP,2012	

Electrical Parts List

Loc.No	Part No	Description ; Specification	Remark	Loc.No	Part No	Description ; Specification	Remark
R16		2.2K 2W J MINI					
R2, RP2		100K 1W J MINI					
R4		108Y 1/4W J					
R5		820BY 1/8W J					
R6		1.07K 1/8W F					
R7		1.0K 1/8W F					
R8		1.0K 1/8W J					
TH1		NTC10D-09 / TP10D-09					
TI		T-122 (EE3327)					
TNR1		INR10D471 / JVR10N471K					
ZD1		MTZJ - 30B 1/2W (30V)					
5	MF75-00039A	PCB ASSY-FRONT;SRF00901FA					
C10	2203-000206	C-CERAMIC,CHIP:100nF,10%,50V,X7R,TP,2012					
C11	2203-000206	C-CERAMIC,CHIP:100nF,10%,50V,X7R,TP,2012					
C12	2203-000206	C-CERAMIC,CHIP:100nF,10%,50V,X7R,TP,2012					
D10	0401-000133	DIODE-SWITCHING:RLS4148,100V,200MA,SOD-8					
D11	0401-000133	DIODE-SWITCHING:RLS4148,100V,200MA,SOD-8					
D12	0401-000133	DIODE-SWITCHING:RLS4148,100V,200MA,SOD-8					
D13	0401-000133	DIODE-SWITCHING:RLS4148,100V,200MA,SOD-8					
D14	0401-000133	DIODE-SWITCHING:RLS4148,100V,200MA,SOD-8					
Q10	0501-000457	TR-SMALL SIGNAL:MMBT2222A,NPN,350MW,SOT-					
Q11	0501-000457	TR-SMALL SIGNAL:MMBT2222A,NPN,350MW,SOT-					
Q12	0501-000457	TR-SMALL SIGNAL:MMBT2222A,NPN,350MW,SOT-					
Q13	0501-000457	TR-SMALL SIGNAL:MMBT2222A,NPN,350MW,SOT-					
R10	2007-000300	R-CHIP:1KOHM,5%,1/10W,DA,TP,2012					
R11	2007-000468	R-CHIP:1KOHM,5%,1/10W,DA,TP,2012					
R12	2007-000468	R-CHIP:1KOHM,5%,1/10W,DA,TP,2012					
R13	2007-000468	R-CHIP:1KOHM,5%,1/10W,DA,TP,2012					
R14	2007-000468	R-CHIP:1KOHM,5%,1/10W,DA,TP,2012					
R15	2007-000290	R-CHIP:100OHM,5%,1/10W,DA,TP,2012					
R16	2007-000290	R-CHIP:100OHM,5%,1/10W,DA,TP,2012					
R17	2007-000290	R-CHIP:100OHM,5%,1/10W,DA,TP,2012					
R18	2007-000290	R-CHIP:100OHM,5%,1/10W,DA,TP,2012					
R19	2007-000290	R-CHIP:100OHM,5%,1/10W,DA,TP,2012					
R20	2007-000290	R-CHIP:100OHM,5%,1/10W,DA,TP,2012					
R21	2007-000290	R-CHIP:100OHM,5%,1/10W,DA,TP,2012					
R22	2007-000290	R-CHIP:100OHM,5%,1/10W,DA,TP,2012					
R23	2007-000290	R-CHIP:100OHM,5%,1/10W,DA,TP,2012					
SW10	3404-001064	SWITCH-TACT:12V,50mA,160gf,6x6x3.5mm,-					
SW11	3404-001064	SWITCH-TACT:12V,50mA,160gf,6x6x3.5mm,-					
SW12	3404-001064	SWITCH-TACT:12V,50mA,160gf,6x6x3.5mm,-					
SW13	3404-001064	SWITCH-TACT:12V,50mA,160gf,6x6x3.5mm,-					
SW14	3404-001064	SWITCH-TACT:12V,50mA,160gf,6x6x3.5mm,-					
T10	MF59-00183H	IR RECEIVER;TSOP1238UU1,-,-,-,-,38KHZ,-					
U10	0801-000679	IC-CMOS LOGIC:74HC595,SHIFT REGISTER,SOP					
U11	0703-001113	LED DISPLAY:GRN,4DIGIT,7SEG,30X14X7.2MM					
U12	0801-000679	IC-CMOS LOGIC:74HC595,SHIFT REGISTER,SOP					

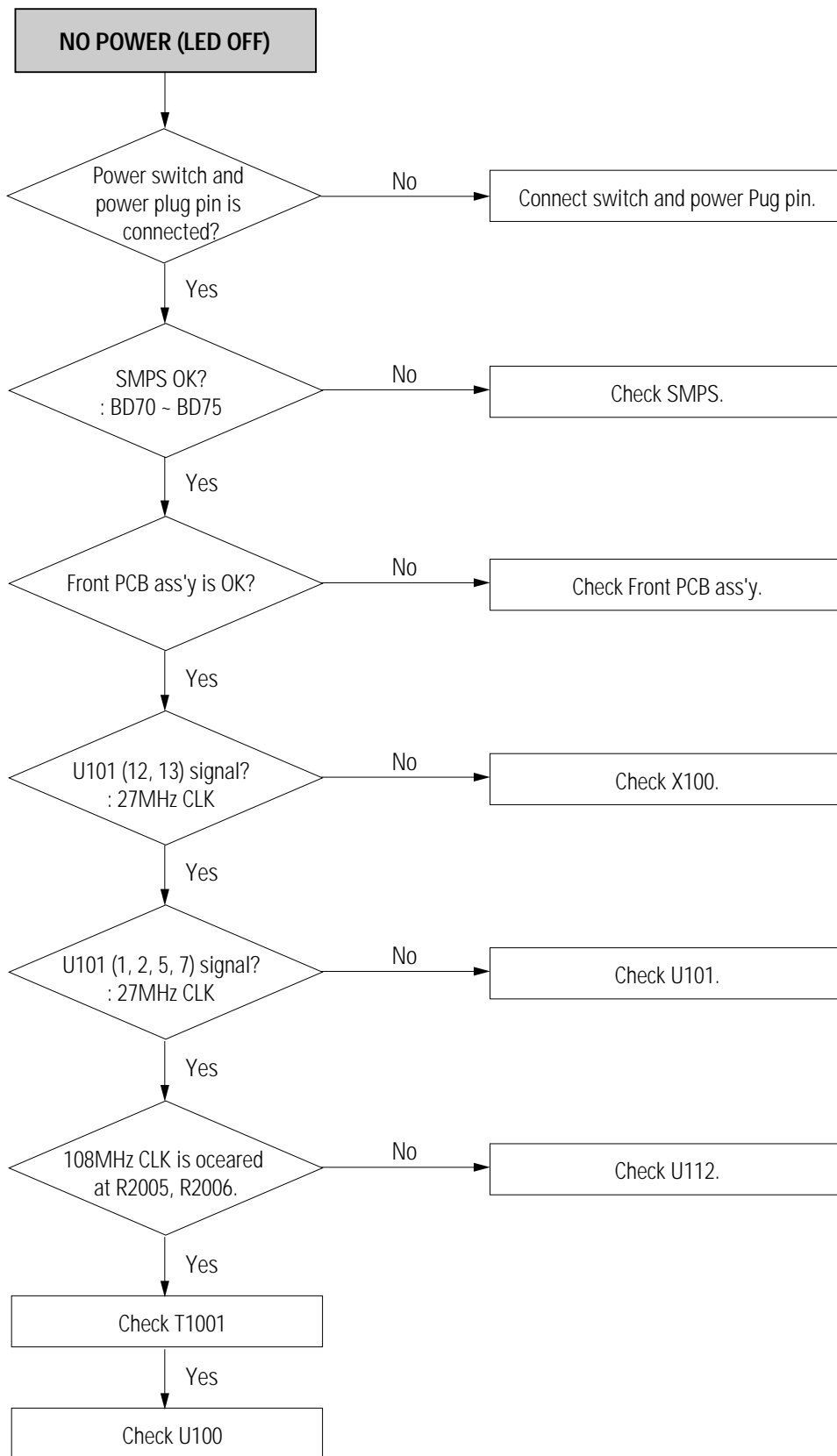
5. Exploded View and Parts List

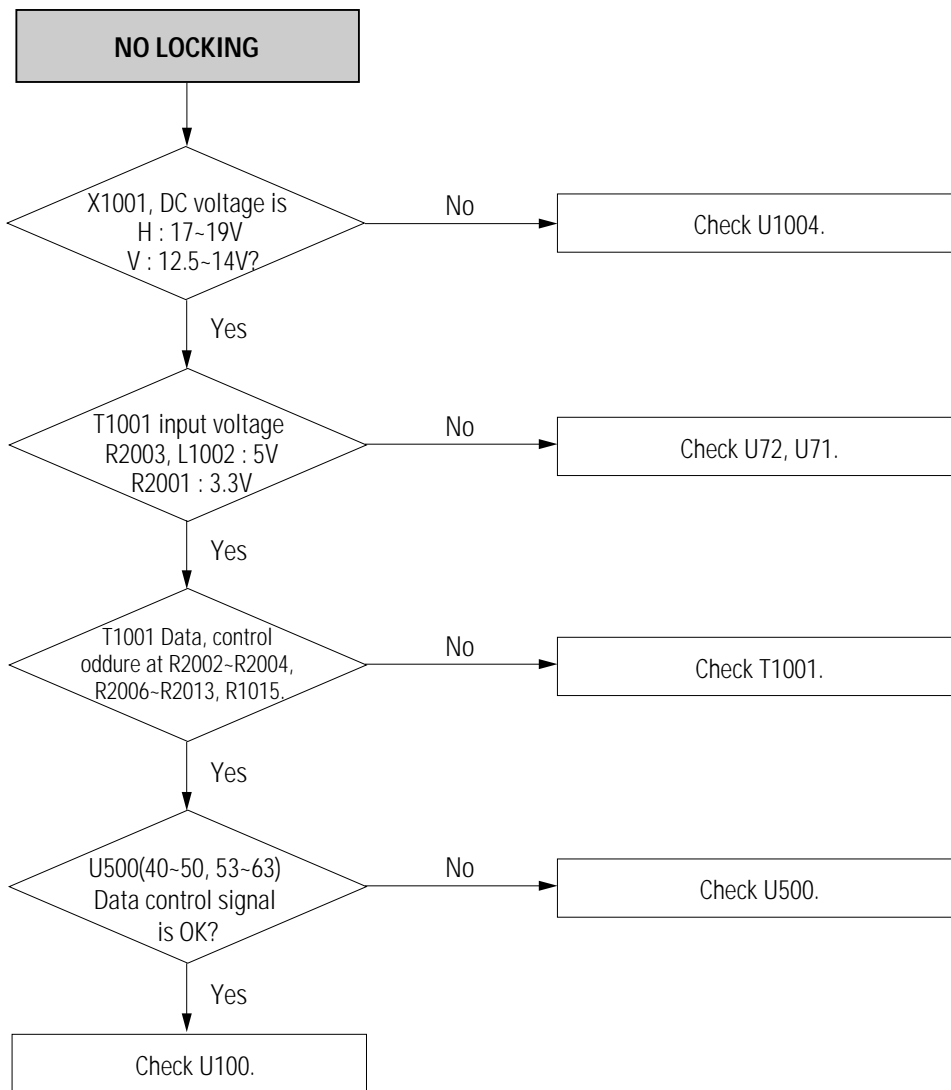


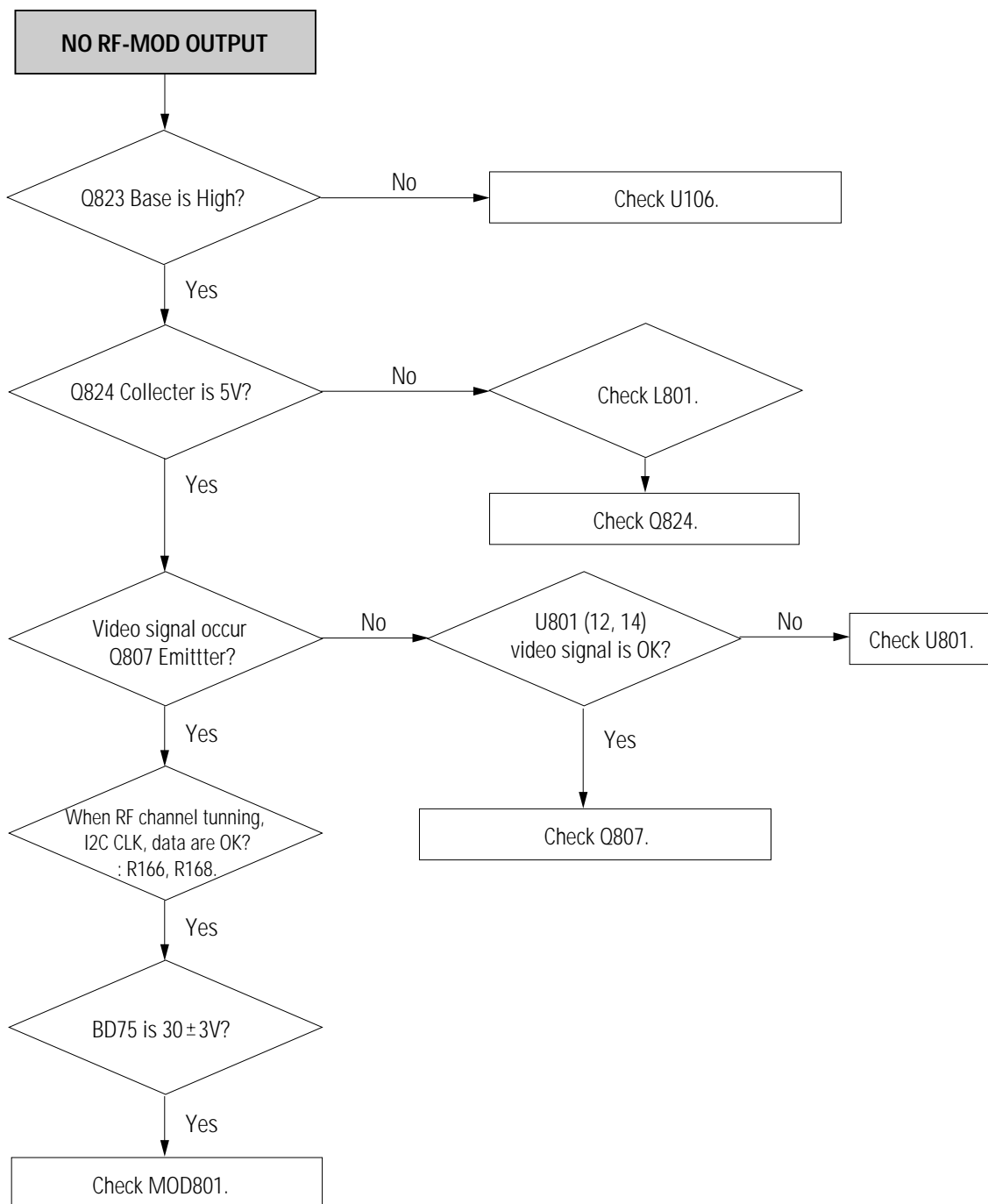
Loc. No	Parts No.	Description ; Specification	Remark
1	MF61-00019A	HOUSING ASSY;SRF00901FA,ABS 94V-0,-,24.6	FTA
	MF61-00019B	HOUSING ASSY;SRF02901FA,ABS 94V-0,-,24.6	CI
	MF61-00019C	HOUSING ASSY;SRF20901FA,ABS 94V-0,-,24.6	EM VIA
	MF61-00019D	HOUSING ASSY;SRF22901FA,ABS 94V-0,-,24.6	VIA CI
2	MF63-00005A	COVER TOP;SRF00901FA,-,DSR9500,PCM T0.62	
3	MF95-10004D	MAIN PCB ASSY;SRF00901FA,DSR9500(FTA)	FTA
	MF95-10004E	MAIN PCB ASSY;SRF02901FA,DSR9500(2CI)	CI
	MF95-10004F	MAIN PCB ASSY;SRV20901FA,DSR9500(VIA)	EM VIA
	MF95-10004G	MAIN PCB ASSY;SRV22901FA,DSR9500(VIA/CI)	VIA CI
4	MF44-00018A	SMPS;SRV22901EA,P-151,AC/DC,-,AC85-	
5	MF75-00039A	PCB ASSY-FRONT;SRF00901FA,-,,-,,-,,-,,-,,-,	
6	MF39-00258A	ASSY POWER CORD;- ,KJP-140/BLK,H03VVH2-F/	
7	MF34-00001A	SWITCH AUTO POWER;125/250VAC,10/5A,JRA11	
8	6002-000441	SCREW-TAPPING;BH,+,1,M3,L6,ZPC(BLK),SWRC	
9	6003-000282	SCREW-TAPTITE;BH,+,B,M3,L8,ZPC(BLK),SWCH	
UT01	MF59-00215A	REMOCON;DSR9000VC2,-,-,TM59-RM700,-,-,	

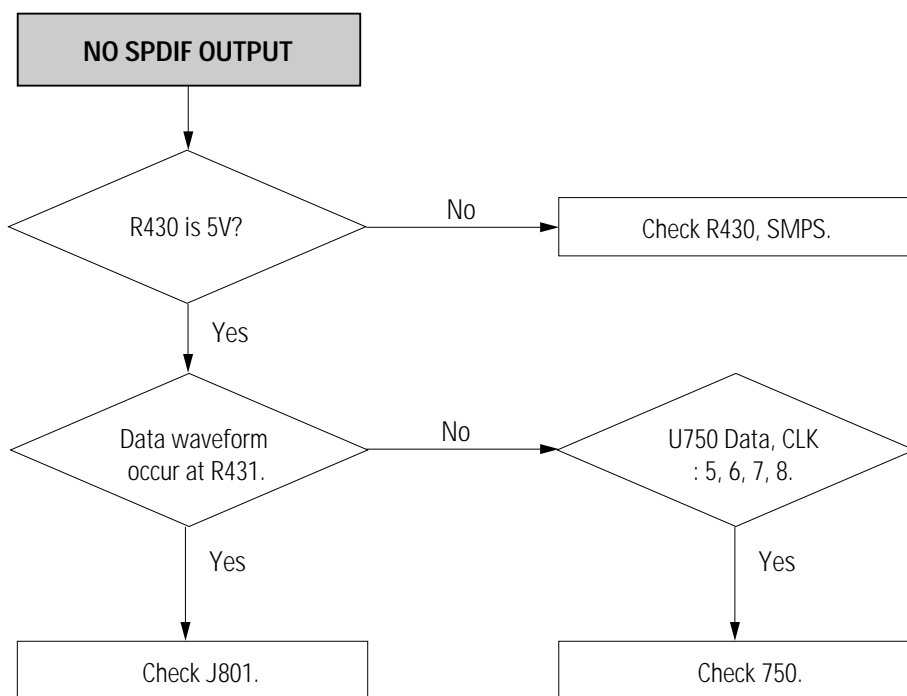
MEMO

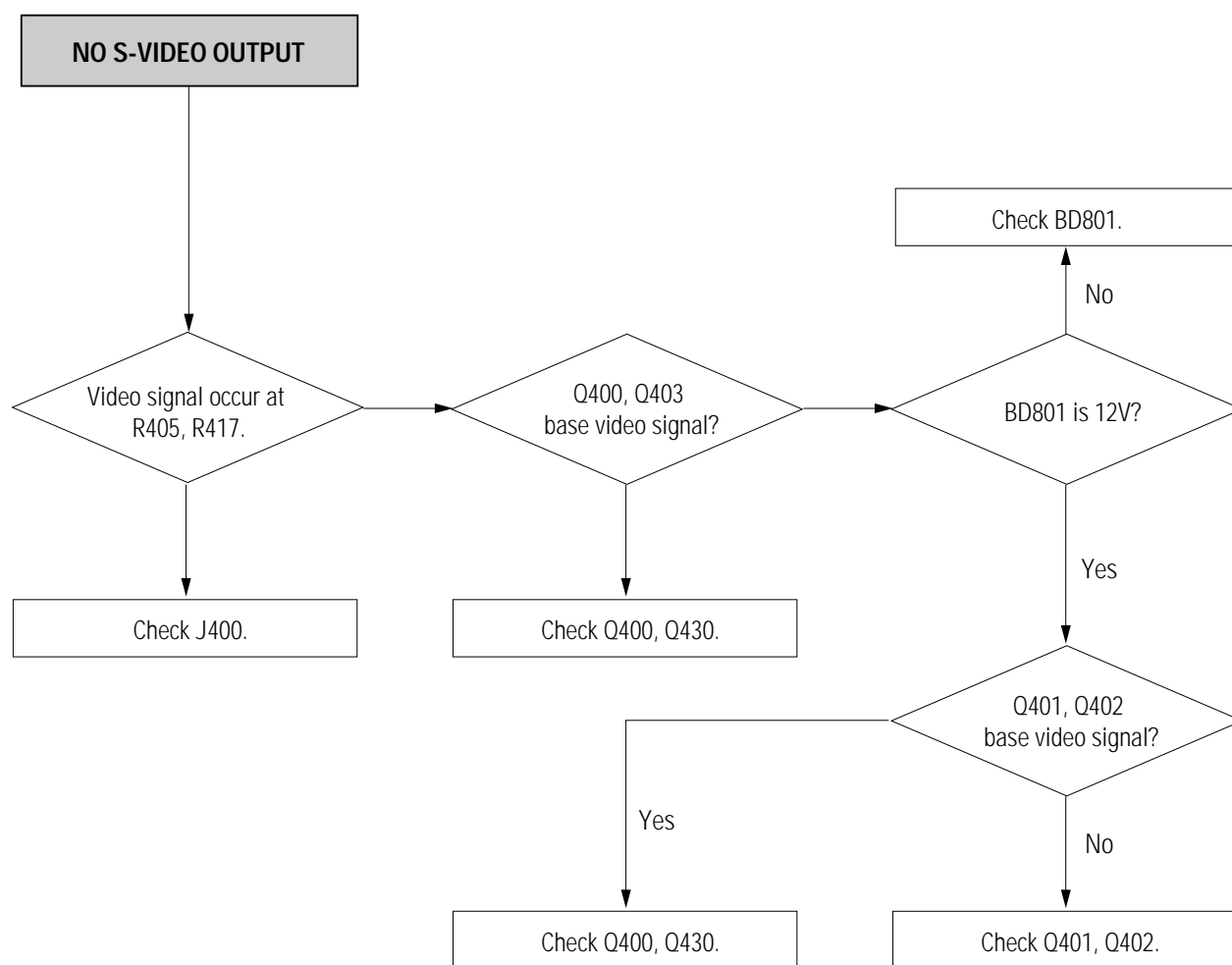
4. Troubleshooting

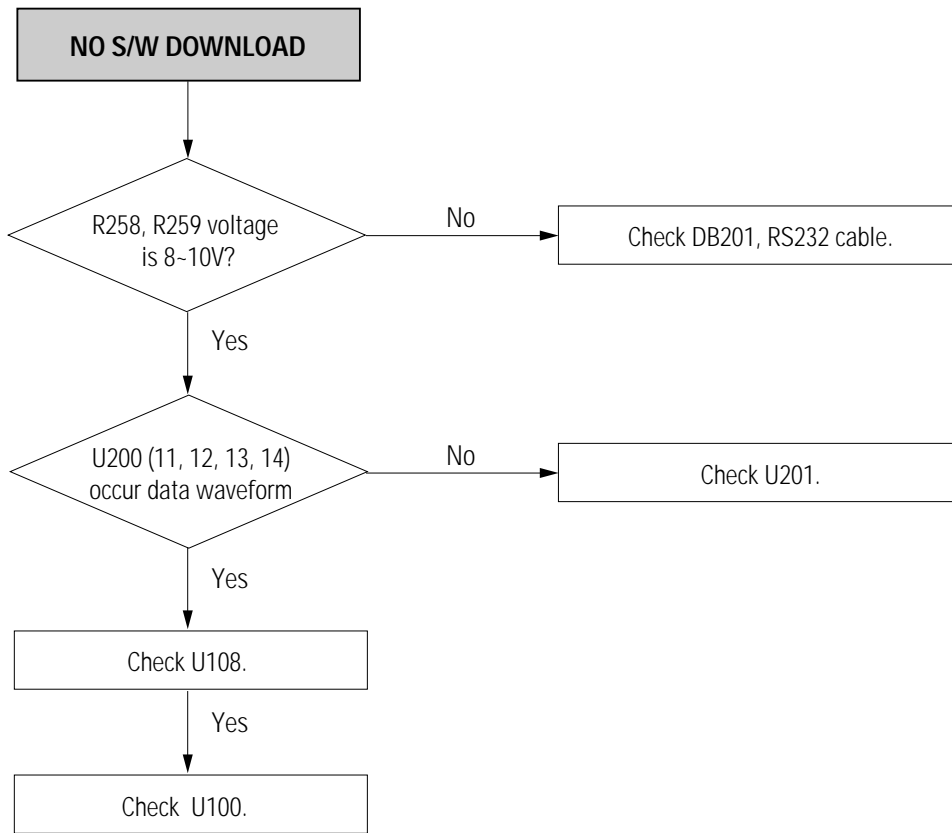


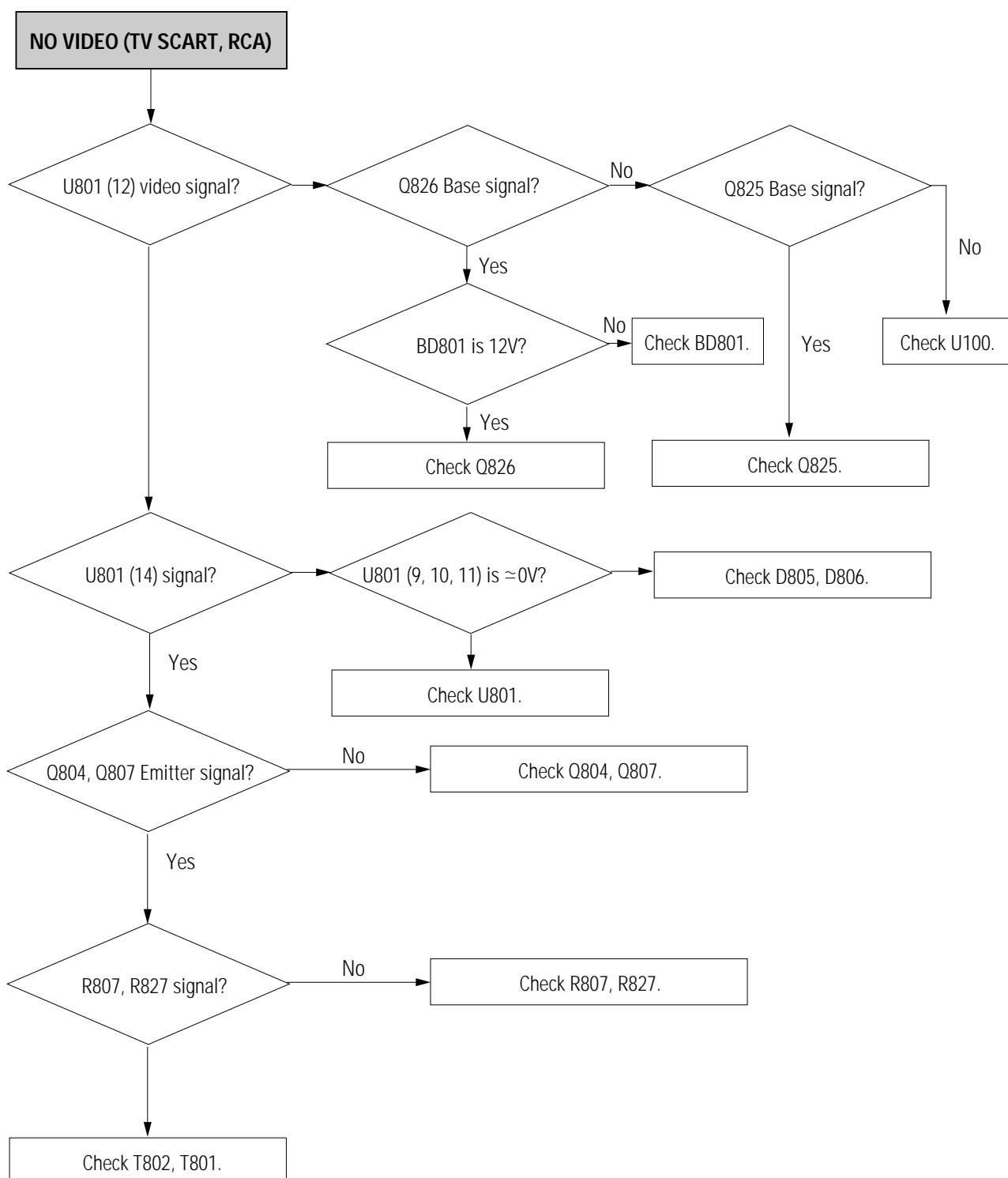


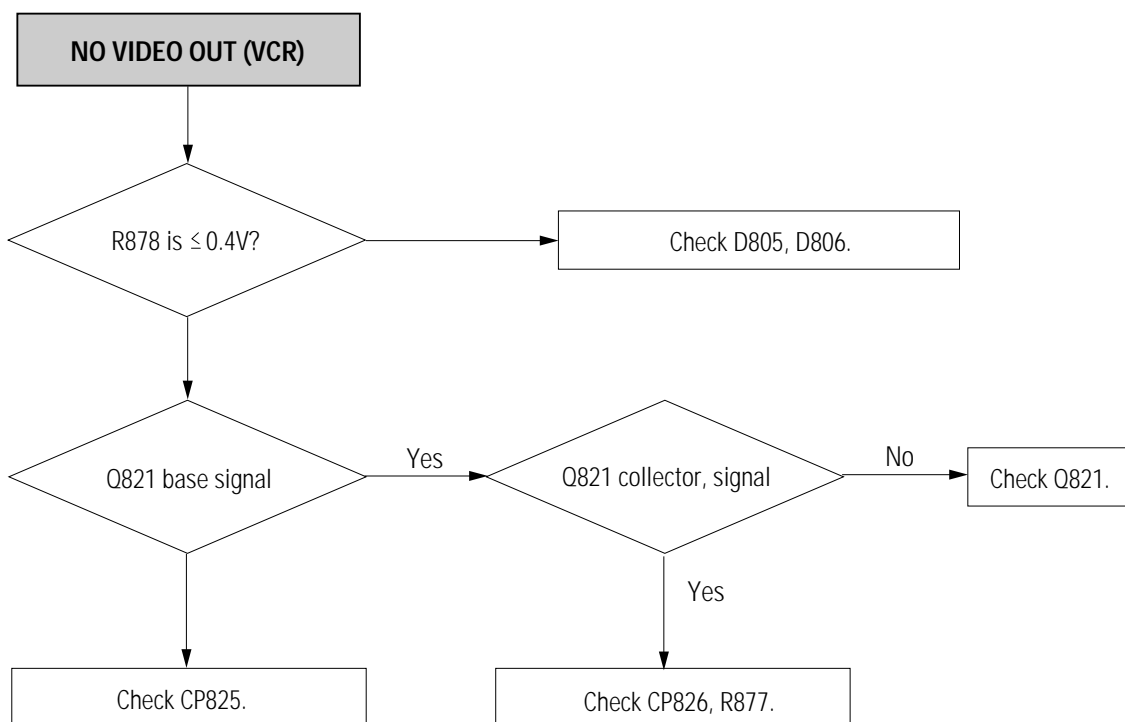


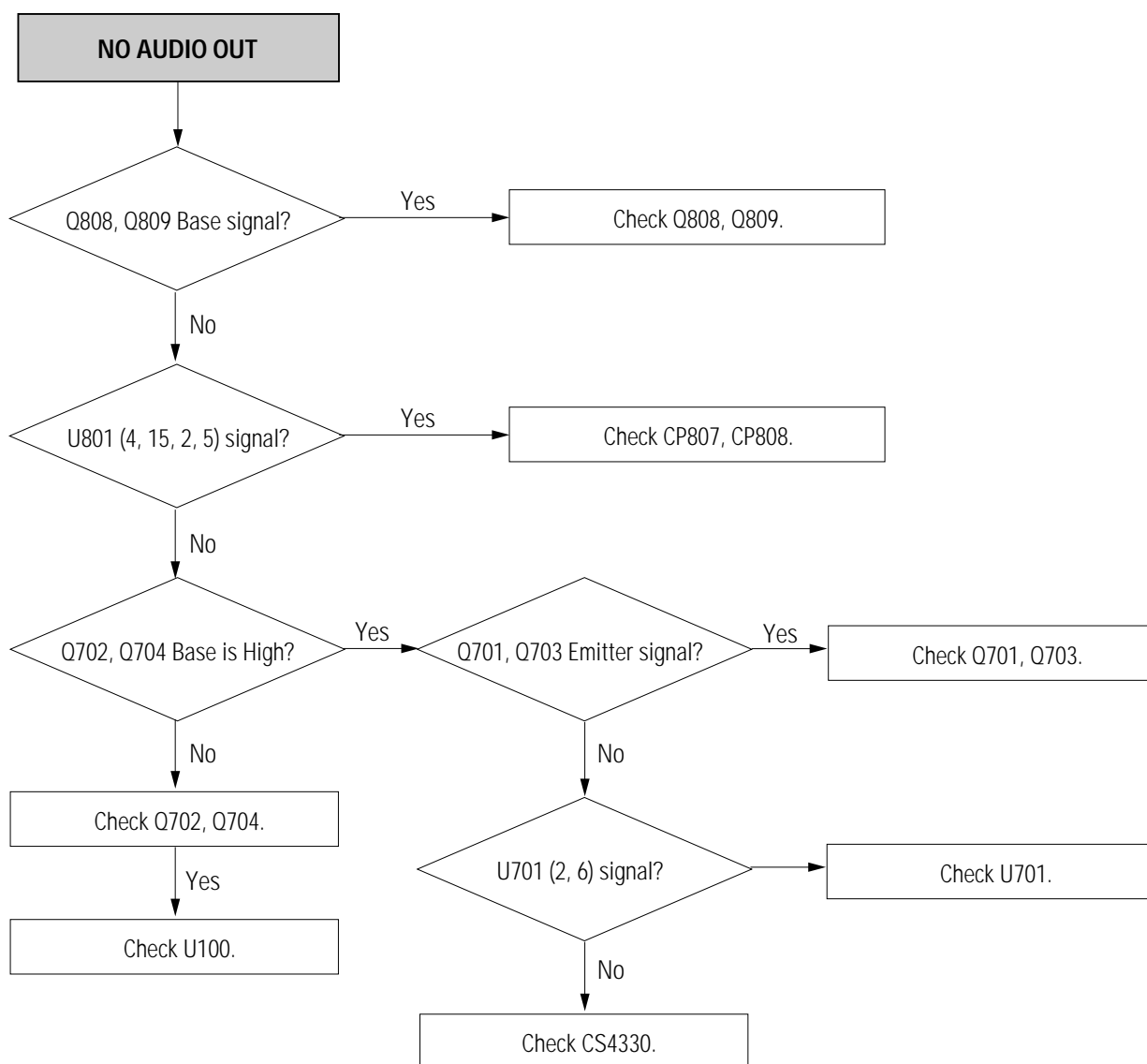












MEMO

CONNECTING YOUR "DSR9500"

1. LOCATION OF THE RECEIVER

Your DSR9500 should be placed under proper ventilation. Don't put in completely enclosed cabinet that will restrict the flow of air, resulting in overheating. The location should be safeguarded from direct sunlight, excess moisture, rough handling or household pets. Avoid stacking other electronic components on the top of the receiver. The location should be safely accessible by the cable from your antenna system.

2. CONNECTING THE RECEIVER WITH DISH SYSTEM

After installing your antenna system, connect the coaxial cable from the LNB of your antenna to "LNB" terminal marked at the rear of the DSR9500.

All cable connectors should be finger tightened; do not use any kind of wrench while tightening connectors. The cable should be 75ohm impedance coaxial twisted at the end with an "F" type connector.

3. CONNECTING THE RECEIVER TO TV

To connect the receiver with your television, you can use three methods: via Scart Cable, RF cable, or RCA cable.

Connect the RF cable to the terminal marked "TV" at the rear panel of DSR9500 and its other end to the TV RF input socket.

In the case of connecting your TV through SCART cable, connect the SCART connector marked TV to the respective SCART port on the TV.

4. CONNECTING YOUR ANALOG RECEIVER

To facilitate the user using analog receiver to view analog channels, DSR9500 has been provided with a loop through terminal marked as "LOOP". Connect the coaxial cable from this terminal to the IF input terminal of your analog receiver. Now by keeping the DSR9500 in standby, you will be able to tune and view analog channels from your analog receiver.

5. CONNECTING YOUR VCR

To connect a VCR, the DSR9500 has been provided with SCART at the rear marked "VCR".

Using a SCART connector, the VCR can be connected to the receiver.

6. CONNECTING EXTERNAL AUDIO / HI-FI SYSTEM

To connect any external Audio Hi-Fi system, the receiver has been provided with two RCA connectors at the back of the receiver, marked with AUDIO L and R respectively to connect the left and right Audio.

GB-4

D I G I T A L S A T E L L I T E R E C E I V E R

GB-5

2. Operating Instructions

CONNECTING YOUR "DSR9500"

7. INSERTING SMARTCARDS FOR VIACCESS SERVICES

In order to view a scrambled service, you need to have the appropriate conditional Access Module and a valid Smartcard. This DSR9500 has the Viaccess CAS embedded to view Viaccess programmes.

Note : Insert the Smartcard with the gold coloured chip facing downwards.

8. INSERTING COMMON INTERFACE CAM AND SMARTCARD

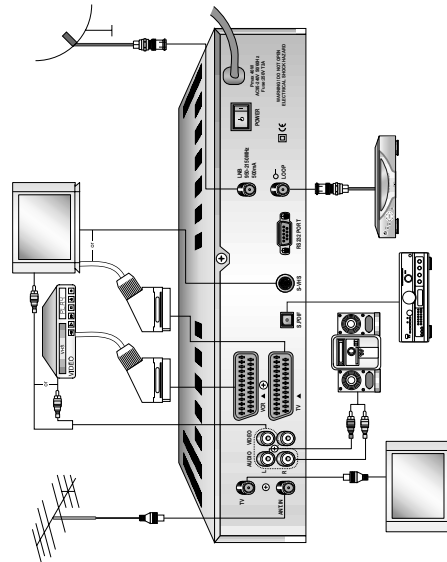
(For models DSR 9500 Ci, DSR 9500 VIA Ci)

The DSR 9500 supports Common Interface CAMs under DVB specification. The CI CAMs include a built-in smart card reader.

- Insert the smart card into the CAM gentry with the gold colored chip upwards
- Slide in the CAM gently inside the slot so that it sits in the socket tightly.
- Close the door.
- To remove the CAM push the button provided by the side of the CAM slot. The CAM will be ejected from the socket.

Note : The following Common Interface CAMs are available now: IRDETO, CONAX, CRYPTOWORKS, VIACCESS, NAGRAVISION, SECA, Etc.

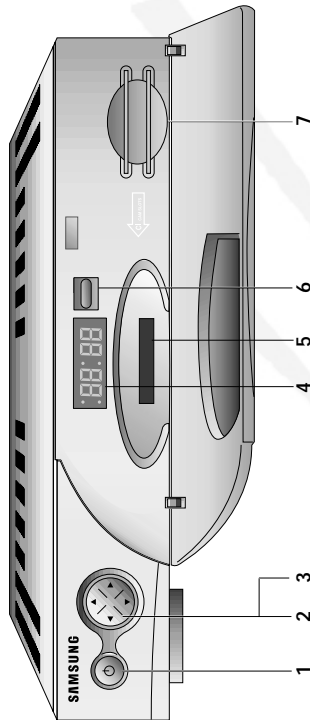
Connecting Figure



DESCRIPTION

..... DESCRIPTION

Front Panel



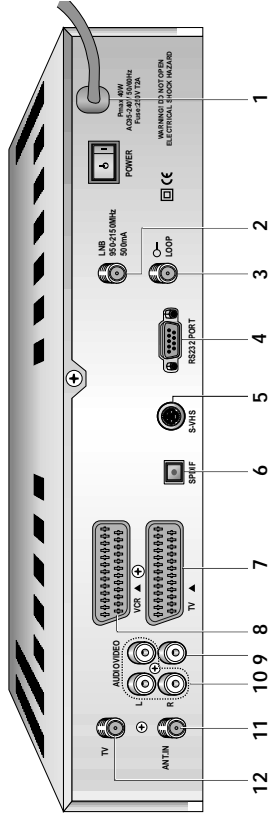
1. This key is used to turn the receiver on and off (Standby).
2. These keys are used to change the channels.
3. These keys are used to increase and decrease the volume level manually.
4. **7 Segment Display**
This LED display will show the current channel number. While the receiver is in Standby mode, the display will show the current time.
5. **CAM Slot**
Slot for Common Interface.
(For models DSR 9500 CI, DSR 9500 VIA CI)
6. **Infrared Sensor**
This is to receive the IR commands from the Remote Control Unit.
7. **Card Slot**
Slot for Viaccess smartcard.
(For models DSR 9500 VIA, DSR 9500 VIA CI)

GB-6

D I G I T A L S A T E L L I T E R E C E I V E R

GB-7

Rear Panel

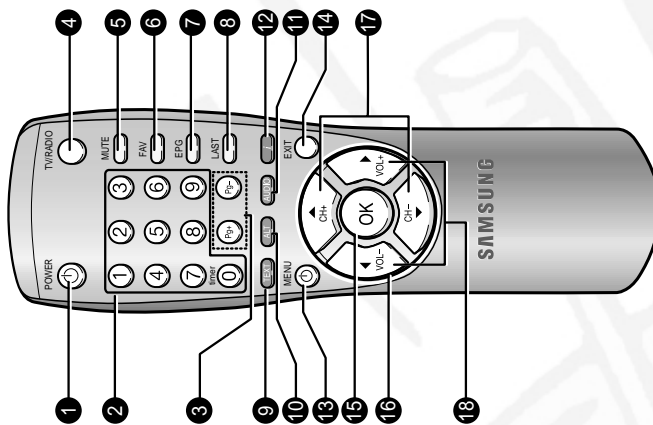


1. **AC MAINS**
This is to plug in the AC mains power cord.
The input AC voltage range is 95V to 240V, 50Hz/60Hz supply.
2. **LNB**
This port is to connect the coaxial cable from LNB of your dish.
The IF input is provided through this port and the input frequency range is 950-2150 MHz. Also the voltage switching 13V and 18V is passed through this port.
3. **LOOP**
To enable the connection of an Analog receiver,
The receiver is provided with this 'LOOP' port.
4. **RS 232 DATA PORT**
This is used to connect your receiver to a computer for reading and loading data information.
5. **S-VHS**
This is used to connect STB to your TV by using S-VHS cable.
6. **SPDIF**
Output for connection to a digital amplifier.
7. **TV SCART**
This is used to connect to your TV.
8. **VCR SCART**
This is used to connect to your VCR.
9. **0/12V**
This is used to connect to an external LNB switch.
10. **VIDEO, AUDIO R/L**
These RCA connectors are used to connect any external video and audio.
11. **ANT.IN**
This is used to connect your local RF channels to your TV through Loop.
12. **TV**
This is used to connect to your TV via RF cable.

..... DESCRIPTION

..... DESCRIPTION

Remote Control Unit



Note -When inserting batteries, make sure that the polarity(+/-) is correct.

- 1. **POWER** () This is used to switch the receiver ON/STANDBY mode.
- 2. **0-9 Numerical keys** (0 ~ 9)
These keys are to enter numeric values and to select the channel directly by entering its number.
- 3. **Pg+/Pg-** (,) These keys are used to move up or down pages the menu.
- 4. **TV/RADIO** This key is used to toggle between the TV channel and Radio channel.

- 5. **MUTE** This key is used to toggle between normal & muted audio.
- 6. **FAV** Use the key to switch between favorite lists.
- 7. **EPG** Electronic Program Guide button displays the TV/Radio Program guide.
- 8. **LAST** This key is used to call up directly whatever channel you were watching list.
- 9. **TEXT(GREEN)** () This key is used to select the subtitle mode. This button functions same as the GREEN button on the menu. Press once and subtitle appears. You can select the language you want using the channel +/- keys. Press twice and Teletext with OSD appears. Press three times and Teletext with VBI appears.
- 10. **ALT(YELLOW)** () This key is used to select the soundtrack list for the current service. This button functions same as the YELLOW button on the menu. Press once and sound track appears. Press twice and video track appears. The sound and video track services are not provided for every channel and depend on the conditions the operator is in.
- 11. **AUDIO(BLUE)** () This key is used to change the Audio to the left, right or both channels. This button functions same as the BLUE button on the menu.
- 12. **INFORMATION (RED)** () This key is used to display the programe information box in the screen. This button functions same as the RED button on the menu. Press once and you can get simple information on the program. Press twice and you can get detailed information on the channel in text box.
- 13. **MENU** This key is used to open up the menu or return to the previous menu.
- 14. **EXIT** This key is used to exit a menu or return to the previous menu.
- 15. **OK** () This key is used to enter and confirm any data to the receiver in the menu system. This key is used to select the item. Press while viewing TV and a list of channels is displayed.
- 16. **Left Arrow, Right Arrow, Up Arrow, Down Arrow** (, , ,) These keys are used to move the highlight bar for selecting options on the menu, and this button is used to change channels and increase or decrease the volume.
- 17. **CH+/CH-** (,) These keys are used to change channels.
- 18. **VOL+/VOL-** (,) These keys are used to increase or decrease the volume. These keys are used to move up or down pages on the channel list.

GB-8

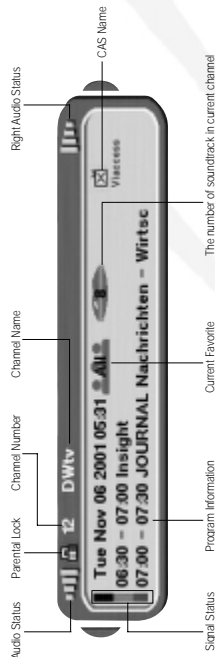
D I G I T A L S A T E L L I T E R E C E I V E R

GB-9

BASIC FUNCTIONS

1. Display Screen

Before you can view the television program, you must perform the installation. Therefore you will see only menu images at first. After the television channels have been programmed, you will see the following picture(banner) each time you switch channels:



- Press the **Red** () key in view mode.
- Select the channel by pressing **Numerical** (-) keys or / and select **TV/RADIO** key to move to TV or Radio channel.

You will also see this picture each time you change channels. When you press **TV/RADIO** key on the Remote Control Unit, **TV** and **Radio** program are toggled.

Detailed program information

- Press the **Red** () key twice while you are viewing a program.

First you will see the banner described above. After pressing the **Red** () key a second time you will receive detailed program information.

Note : This service depends on service provider.

2. Volume Control



To control the volume level :

- Press / keys to adjust the volume level.
- Press **MUTE** key to turn to silence mode.
- Press **MUTE** key again in order to cancel the mute function.

3. Select Soundtrack

- Press **Yellow** () key to see the soundtrack list.
- Press / and key to select one.



4. Select Videotrack

- Press **Yellow** () key twice to see the videotrack list.
- Press / and key to select one.



5. Service List

- Press key to while you are viewing a program.
- Select list by pressing **TV/RADIO** or **FAV** key.

The icon behind the channel name symbolises scrambled channel, and the icon behind the channel name symbolises lock channel.

- Select the channel by pressing / / .
- Press key to watch that channel.

The colour key corresponds the following service list.

- **Green** () key - **Favorites**
- **Yellow** () key - **Alphabetical**
- **Blue** () key - **Provider**
- **Red** () key - **Transponder**

BASIC FUNCTIONS

..... BASIC FUNCTION

5.1 Service Favorites

- Press the **Green (TEXT)** key on the control unit to select the Favorites list.
- Use the **Left/Right**, **Up/Down** keys to select a favorite group that you want.
- Press the **Green (TEXT)** key to toggle group and channel list.



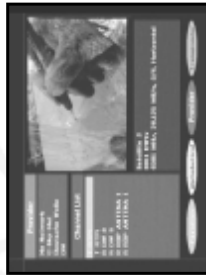
5.2 Service Alphabetical

- Press the **Yellow (ALD)** key on the remote control unit to select the Alphabetical list.
- Use the **Left/Right**, **Up/Down** keys to select a Alphabetical group that you want.
- Press the **Yellow (ALD)** key to toggle group and channel list.



5.3 Service Provider

- Press the **Blue (AUDIO)** key on the remote control unit to select the Provider list.
- Use the **Left/Right**, **Up/Down** keys to select a Provider group that you want.
- Press the **Blue (AUDIO)** key to toggle group and channel list.



5.4 Service Transponder

- Press the **Red (L)** key on the remote control unit to select the Transponder list.
- Use the **Left/Right**, **Up/Down** keys to select a Transponder group that you want.
- Press the **Red (L)** key to toggle group and channel list.



6. Program Information

EPG-Electronic Program Guide

The electronic program guide gives you a channel list for the channels.



Note : 1. This service depends on service provider.

2. After receiver recognized the GMT-time from the signal which takes few seconds, it can display correct EPG information.

- Press **EPG** key while you are viewing a program.

This function is displayed on the screen by using only time. You will see "EPG" in the LED display of the receiver.

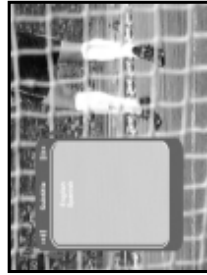
- **Green (TEXT)** key - Use to display the program list until this day last week by going back per one day.
- **Yellow (AUDIO)** key - Use to display the program list until this day next week by going forward per one day.
- **Left/Right** keys - Use to display the program list by 30minutes per block.

With the **TV/RADIO** or **FAV** key you can browse among the various programs lists.

- Select the channel by pressing **Left/Right**, **Up/Down** keys and press **OK** key to watch this channel.

7. Subtitle

When the current broadcasting program provides subtitle, press the **Green (TEXT)** key to see the current subtitle language list.



To change the subtitle language:

- Press the **Green (TEXT)** key to see the subtitle language List.
 - Use the **Left/Right** keys to select a subtitle language you want.
 - Press the **OK** key and then the subtitle language you want is displayed
- The menu display is carefully created and user friendly to assure the easy operation of the receiver by the user. The main menu is classified into Six sub menus which will carry out the various operations individually.




OPERATING THE RECEIVER

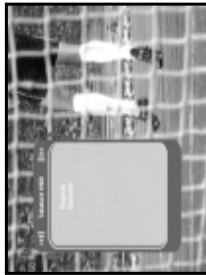
..... BASIC FUNCTION

8. Teletext OSD

When the current broadcasting program provides Teletext OSD, press the **Green (TEXT)** key twice to see the current Teletext OSD list.

To change the Teletext OSD:




- Use the  /  keys to select a Teletext OSD you want.
- Press the  key and then the **Teletext OSD** you want is displayed on the screen.

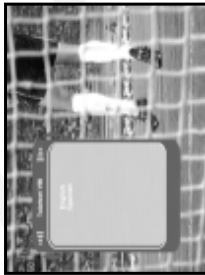


9. Teletext VBI

When the current broadcasting program provides **Teletext VBI**, press the **Green (TEXT)** key three times to see the current Teletext VBI list.

To change the Teletext VBI:

- Use the  /  keys to select a Teletext VBI you want.
- Press the  key and then the **Teletext VBI** you want is displayed on the screen.



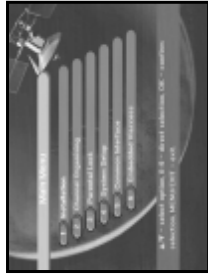
Main Menu

After installing your antenna system and DSR9500 with appropriate connectors.

- Plug in the AC main power and switch on the receiver.
- Press **MENU** key to bring up the main menu.
The **LED** display will show "MENU".

The following on screen display will appear:

- The sub menu topics will be displayed from 1 to 6. For the sub-menus 1, 2 and 3 you need the PIN code.
- You must follow the help message at the bottom of the screen!

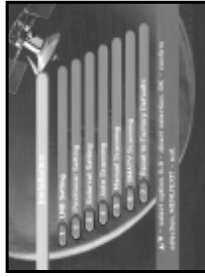


Before you begin with the "Installation" menu, you should check in the 4th menu "System Setup", whether all the information there is applicable for you.

1. Installation

The menu provides settings for customizing, adding new services and displaying the status of the receiver.

- Select "**Installation**" in the main menu mode to select the sub menu.
 - Enter the **PIN** code.
- if you have not entered your own **PIN** code then the **PIN** code **0000** applies, which was set at the factory.



..... OPERATING THE RECEIVER

1.1 LNB Setting

You can select the satellite and LNB setting conditions to execute channel search and you can alter the settings for 22KHz tone. The parameters set in this menu are needed for programming the channels for the "Auto scanning" and "Manual scanning".

The necessary information can be found at your antenna and LNB brochures, or you can ask your dealer.

- Select LNB power supply "On".
- Select the desired satellite name.
- Select the LNB type (frequency).
- Select the DISEqC Mode

(Off, DISEqC A, DISEqC B, DISEqC C, DISEqC D, Tone Burst A, Tone Burst B)
If you are using a Positioner, select this option. ("Yes" or "No")



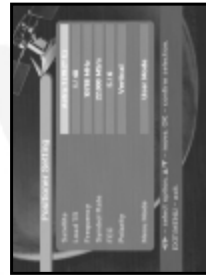
22KHz: In case you are using a dual LNB or two antennas connected to a 22KHz tone switch box, with the 22 KHz tone switch ("On", "Off" or "Auto") you can switch between both LNB or antennas.

1.2 Positioner Setting

If you have a DISEqC 1.2 motorized system, then you can take advantage of the DISEqC 1.2 functions available.

- Select Satellite.
- Select any transponder from above satellites and check out the Frequency, Symbol Rate, FEC and Polarity.

In case problems arise, ask your dealer.



..... OPERATING THE RECEIVER

- Select from Menu Mode:

"User" mode : Enables control of basic positioner function recommended for beginners. General user uses "User" mode.

"Installer" mode : Complete control of the positioner's full functions recommended for installers and professional users.

1.2.1 User Mode

- **Select Driving Mode:**

You have an option to choose the positioner's movement type: Continuous, Step or Time.

- Position the antenna with north, south, east and west and use the / / / key to drive motor. key drives to west, key drives to east, key drives to north and key drives to south.
- If you finished driving of motor, select "Store current Position." and press key, to reset new driving motor.



Note : The level indicated in the "Signal Status" is only for reference.

The signal quality may be adequate even though the level indicated is not maximum.




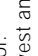

- Go to Stored Position.

When the stored position is reached then screen displays "Stop", you can now continue with the further operations.

- Select the Calculate Sat Positions to recalculate the satellite position and key.

1.2.2 Installer Mode

After checking the positioner's state, installer should use this menu. He should set the **"Disable Limits"** before using User mode.




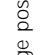
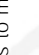
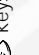
- Select the Drive Motor West/East and use the  /  keys to drive motor.
-  key drives to west and  key drives to east.
- Select **"Enable Limit"**, in order to enable **"Set Limit"**.
- Select **"Disable Limit"**, in order to disable **"Set Limit"**.
- Select **"Reset Positioner"** and  key to reset positioner.



1.3 Solarsat Setting

This menu is only for the Solarsat antenna.

When you press this menu, you will get this message, **"This menu is only for the Solarsat antenna. If you have one-press OK, otherwise-press EXIT."**

- You can set the value according to your location.
- To set the Value of Date and Time, use the  /  keys to change the value.
 - Use the  /  keys to change position.
 - Use the  /  keys to move each filed.




1.4 Auto Scanning

The sub menu "Auto Scanning" will enable download of off-air channels automatically from the preprogrammed satellites.

To download channels automatically:

You can select All/Off/Only Free option mode in each satellite.

- Off :** No Scan
- All :** Scan all the channels
- Only Free :** Scan free channels

- Press  key.

Auto Scanning menu will be displayed.

All the channels in the list from the selected satellite will be automatically downloaded.

After scanning you will see **"Your digital receiver found..."**. Afterwards you return to Auto Scanning menu.



1.5 Manual Scanning

To tune-in new channels and weak signals, the DSR9500 has been provided with the option **"Manual Scanning"** where the channel data can be entered by the user. After selecting the **"5. Manual Scanning"** from the Installation Menu, the following screen will be displayed:

- Select the target satellite for manual search.
- Load a transponder.
- This option will enable the user to load any transponder from the preprogrammed list available within the receiver.

Note : When you enter Frequency after setting Load TR to New, the entered information must include at least one channel to make channel save possible.

- Input the frequency of the transponder you want to find.
- Input the symbol rate of the transponder you want to find.



- Select the FEC(Forward Error Correction)of the transponder you want to find.
- You can select the value of 1/2, 2/3, 3/4, 5/6, 7/8 or Auto.
- Select the polarization of the transponder you want to find. **(Horizontal/Vertical/Circular Left/Circular Right)**
In the case of horizontal, 18V and in the case of vertical, 13V are output through LNB line.
- Select Scan Mode **"All"** or **"Only Free"**.
- Select Network Search **"Yes"**.
You can find more transponders using the home network.
- Select PID searching **"Yes"**. You can manually search by entering individual PID(Packet Identifier)(Video/Audio/PCR) values.
- After select option, press **(OK)** key to start the scan process.

1.6 SMATV Scanning

In case that several generations use Antenna and LNB in common, search the service the from 950 to 2150MHz.

- Select Searching Type **"Automatic"** or **"Manual"**.
- Select Scan Mode **"All"** or **"Only Free"**.
- You can input alternative symbol rate from 1 to 4

Note : 1. When your searching type is set to Automatic during **SMATV** scanning, you have only to enter the alternative symbol rate(1 ~ 4) you want.

2. When your searching type is set to Manual during **SMATV** scanning, you must enter both frequency and symbol rate.

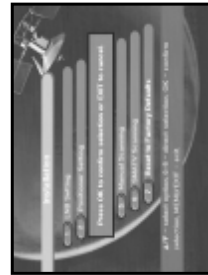
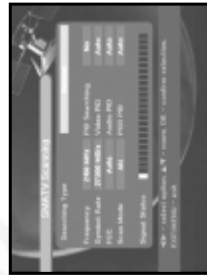
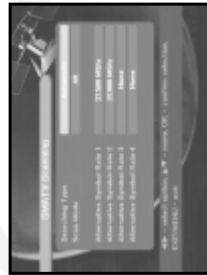
1.7 Reset to Factory Defaults

This to restore the factory set values in case the user has encountered some problems after changing any values of channel data and others which may be in error.

The screen display will be as follows:

At the request window,
if you press **(OK)** key, the receiver will be reset to factory default settings automatically.

Note : This cause your previous settings to be deleted!



2. Channel Organising

The **"Channel Organising"** menu has seven functions:

The **"Channel Organising"** menu is used to delete the Satellites, Transponders and Channels or to make Favorite channels or move channel as you want.

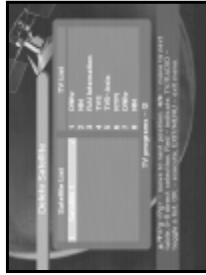
- Enter the **PIN** code.
- If you have not entered your own **PIN** code **PIN** code **0000** applies, which was set at the factory.



2.1 Delete Satellite

- Select the desired satellite list you want to delete by pressing **Red ()** key.
- Press **(OK)** key for confirmation.

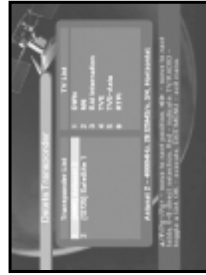
Note : This feature doesn't delete satellite itself but deletes the list of channels registered for satellite.



2.2 Delete Transponder

- Select the desired transponder list you want to delete by pressing **Red ()** key.
- Press **(OK)** key for confirmation.

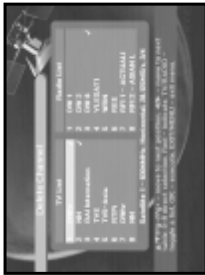
Note : This feature doesn't delete transponder itself but deletes the list of channels registered for transponder.



..... OPERATING THE RECEIVER

2.3 Delete Channel

- Select the desired channel you want to delete by pressing **Red** () key.
- Press **OK** key for confirmation.



2.4 Delete All Channel

At the request window, press **OK** key to delete all channels and press **MENU** / **EXIT** to exit.



2.5 Delete Scrambled Channels

At the request window, press **OK** key to delete scrambled channels and press **MENU** / **EXIT** to exit.




2.6 Favorite Channel

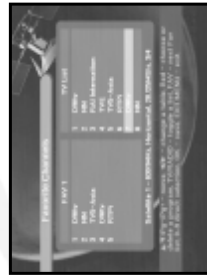
You can change TV list or Radio list by **TV/RADIO** key and change favorite list by **FAV** key. This enables you to create the 9 favorite TV and Radio list.

- Select the desired channel list with  /  keys.
- When you press the **TV/RADIO** key, TV list and Radio list are toggled.

Right List : Adds a channel to the left list by pressing the **Red** () key.


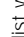
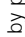



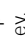


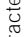
Left List : Deletes a channel by pressing the **Red** () key.

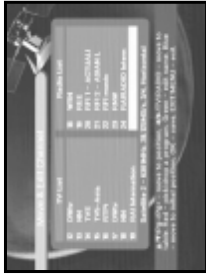
- Press **FAV** key to select another favorite list.
- Then press **OK** key for confirmation.



..... OPERATING THE RECEIVER

2.7 Move & Edit Channel

- Select the desired list with  /  keys.
- Select channel by pressing **Red** () key.
- Press  /  keys to change the position of the channel you want, and press **OK** key for confirmation.
- Press **Red** () key again to return to previous state
- If you want to return the channel to the initial position, do not press **OK** key but press **blue** () key.
- To edit channel name, press **Green** () key. Font Table will be displayed.
- Select desired character with  /  and then press **OK** key to paste character to the string.
- Press **MENU** key to save tge set data.



..... OPERATING THE RECEIVER

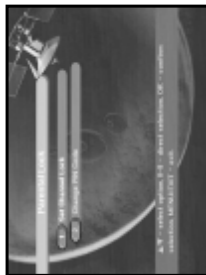
3. Parental Lock

This "Parental Lock" feature sets viewing restrictions and prevents unauthorized access to your DSR9500 through the PIN (Personal Identification Number), which is a 4 digit number.
(The factory preset PIN code : 0000)

On selecting this menu, you will have two options: to set lock for any desired channel and to change your PIN value.

- Enter PIN code.

If you have not entered your own PIN code then the PIN code 0000 applies, which was set at the factory.



3.1 Set Channel Lock

- Select the channel by pressing / / / / / .
- When you press the TV/RADIO key, TV list and Radio list are toggled.
- Select the channel lock by pressing Red () key.
- Press key for confirmation.

This will lock the channel. Whenever you need to view the channel, you will have to enter the PIN at the request window.

To cancel the lock :

- Press Red () key again in order to cancel the lock.



..... OPERATING THE RECEIVER

3.2. Change PIN Code

To change the PIN code, select the second option "Change PIN Code".

This will take you to the following menu:

In this option, you need to enter the current PIN code at the first cursor, and at the second cursor enter the desired PIN code.

To confirm, you need to enter the new PIN code again.

Please remember the PIN code should be a 4 digit numerical value.

THE FACTORY PRESET PIN CODE : 0 0 0 0.

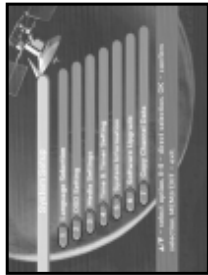


Note : If you forget the PIN Code, please refer to the following instruction;

1. Press **MENU** Key on the RCU
2. Select "System Setup"
3. Select "System Information"
4. Press "0000"

4. System Setup

This option enables you to change the factory preset system settings as per your requirements.



4.1. Language Selection

The "Language Selection" option allows the user to select the desired language of the OSD, Soundtrack, Teletext, Subtitle or EPG.

- To accommodate user from different regions speaking different languages.
- To select the desired language menu, press **Left/Right** keys to change language and press **OK**.
- The OSD Language, Soundtrack, Teletext, Subtitle, or EPG will vary according to the selected language.

4.2 OSD Setting

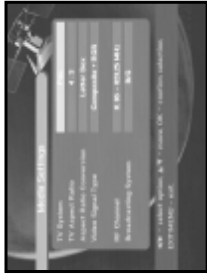
You can set the OSD transparency and the display time.

- Select OSD Transparency type.
- The OSD Transparency level from 0 to 100%.
- Set the display duration of the information(banner) box displayed in the screen.
The time ranges from 0.5 to 60.0 seconds.



4.3 Media Settings

You can set the various media settings you want. Place the cursor on this sub menu and press **OK**.



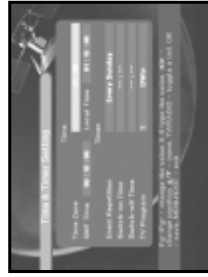
- Select the TV system : PAL, SECAM.
- Select the TV type according to your TV : **STANDARD** 4: 3 ratio or **WIDE SCREEN** 16 : 9 ratio type.
- Select the aspect ratio conversion : Letter box , Pan & Screen, Mixed or Full.
- Select the Video Signal Type : Composite+RGB or Composite.
- Select the RF Channel.
- Select Broadcasting System : B/G, I or D/K.

4.4 Time & Timer Setting

- Place the cursor on this sub menu and press **OK**.
- Press the **Left/Right** keys to change the Local time in Time Zone.

The local time will be changed according to your location.

- Press the **Left/Right** keys to choose event repetition you want to reserve : Daily, Every Sunday, Every Monday, Every Tuesday, Every Wednesday, Every Thursday, Every Friday, Every Saturday, Once.
- Press the **Numerical (0 ~ 9)** keys to set the time you want and press the **Left/Right** keys to choose a switch time you want to reserve.
- Select TV program to set the event program by pressing **Left/Right** keys.
When you press the **TV/RADIO** key, TV program and Radio program are toggled.



4.5 System Information

If you have to contact your service provider or a service center they might ask for information available from this menu. Place the cursor on this sub menu and press **OK** key. The following will be the on-screen display.



4.6 Software Upgrade

You can download and upgrade the software of this **STB** through ASTRA, Sirius and Hotbird satellite when the new software is released.

During downloading don't turn off the **STB**.

If there is a new version of software to download, you are asked if you will update or not. If you press **OK** key, the update starts right away.

In case update is impossible, you get this message **"You can't update software!"** Or in case you don't need to update, **"You don't need to update software!"** will be displayed.



4.7 Copy Channel Data

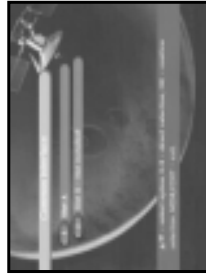
If you want to copy the channel data from one receiver to another, please follow the instruction below. Please make your own channel data, such as favorite & lock channel with your own master box. Then take your master box when you install another box.

1. Plug on both master & slave receivers
2. Master Box(Installed Box) : Stand-by Mode
3. Slave Box(Installing Box) : Menu Mode
4. Connect 2 Boxes with RS232 serial cable (Both end should have male connector)
5. Select **4. System Setup**
6. Press **'7'** key on RCU
7. Press **'OK'** to start channel data copy



5. Common Interface

This STB is equipped with two PCMCIA slots, which enable the use of two CI-CAMS. When a Common Interface CAM is inserted inside the PCMCIA slot, the system detects the type of the CAM automatically and display in the main menu. On choosing this menu, you will be able to access the different options available with the type of the CAM like authorizations, pre-booking, package details etc.,



SLOT A: You can see the Common Interface CAM's name which has been inserted.

SLOT B: **"Not installed"** is displayed when there is no CAM in slot.

6. Embedded Viaces

1. Change PIN code:

Change the PIN code of the Smartcard, if necessary.

2. Change Parental Rating:

Change the setting for the family filter, if necessary.

Note : This service is not offered by all channels.

3. Change Lock indicator:

You can change the lock status of the Viaccess Smartcard.

4. Issuer Information:

Here you can call up all information stored on the Smartcard by the publisher.

5. Authorization:

This option would indicate the authorization status of the Smartcard.



TROUBLESHOOTING

TECHNICAL SPECIFICATIONS

Problem	Possible cause	Solution of the problem
No display LED on the front panel: No power supply	Power cord not plugged in correctly	Power cord plug in correctly
No pictures on the screen	Receiver in Standby mode; Smart not connected tightly to video output of television; incorrect channel or video output selected on television	Set receiver to "On"; Check connection and correct; Check channel and video output and correct (TV instruction manual)
No sound	Audio cord connected incorrectly; Loudness level = 0; Muting active	Check connection and correct; Increase loudness on television set; Press the MUTE key
Remote Control does not operate directly	Incorrect operation; Batteries dead or inserted incorrectly	Point remote control towards the Receiver. Replace batteries or insert correctly
Poor picture quality	Signal strength to low	Check the signal strength in the "Auto Scan" menu, correct alignment of your antenna
On-Screen Error Message "Searching for signal"	Antenna cable not connected or not tight; LNB defective; incorrect position of the satellite antenna;	Check connection and correct; Change LNB. Check position and correct, Check the signal strength in the "Auto Scan" menu
On-Screen Error Message "Channel data does not exist."	Satellite not yet set	Scan of in "Automatic scanning" or "Manual scanning" menu
On-Screen Error Messages: "Please check the Smartcard"; "Please insert the Smartcard".	Smartcard: - not plugged in correctly; - not plugged in.	(depend on model) Check the Smartcard. "Insert the Smartcard."

DISPOSAL

The device, packaging material (e.g. Styrofoam) and the batteries must never be disposed of with household refuse. Please obtain appropriate information about the regulations in your community, and dispose of all refuse in accordance with regulations at the separate locations provided.

- 1. User section**
4000 programmable channels,
software download via satellite & PC,
advanced Electronic Program Guide,
multi-language supported for OSD,
DISEqC 1.2 supported full function
infrared remote control unit,
 - 2. Tuner section**
950 ~ 2150 MHz wide band tuner,
IF output with DC pass loop for analog receiver,
supporting DISEqC 1.2 version,
13 V/18 V switching,
22 KHz continuous tone control
 - 3. Video section**
DVB-S compliant,
MPEG-2 video (MP@ML)
2 - 45 Ms/s symbol rate
modulator output,
compatible for both SC-PC/MCPC,
supports aspect ratio 4:3 (normal) and 16:9 (wide screen)
 - 4. Audio section**
32, 44.1 and 48 KHz sampling frequencies,
volume control and mute function through Remote Control Unit.
MPEG 1 audio layer I & II
mono, dual, stereo and joint stereo audio mode.
- Power supply**
Type: SMPS
Input voltage: 95 ~ 240V AC 50/60 Hz
Fuse rating: 250 V/T2 A
- Tuner**
Freq. Range: 950 ~ 2150 MHz
Input signal level: -65 ~ -25 dBm
First IF freq.: 479.5 MHz
Channel selection: PLL frequency synthesizer
Input impedance: 75 Ω unbalanced
Connector type: F type female
LNB power control: 13 V/18 V, 22 KHz tone
DISEqC: 1.2 supported
- Demodulator**
Type: QPSK DEMODULATION (DVB-S)
Symbol rate: 2 ~ 45 Ms/s
Inner FEC: Viterbi Convolutional
Coding Rate - 1/2, 2/3, 3/4, 5/6, 7/8
Outer FEC: Reed Solomon Coding (204, 188) t = 8

TECHNICAL SPECIFICATIONS

Video decoder

System decoding: MPEG 2 ISO/TEC 13818 (transport stream)
 Profile and level: MPEG 2 MP@ML (4:2:2)
 Data rate: 1~ 15 Mb/s
 Video formats: 4:3 (normal) & 16:9 (widescreen)
 Picture resolution: 720(H) x 576(V) x 50 fields/sec

Audio Decoder

System decoding: MPEG 1 ISO/TEC 11172-3 layer I & II
 Audio mode: mono, dual, stereo, joint stereo
 Sampling frequency: 32, 44.1, 48 KHz

AV output

TV SCART: VIDEO (CVBS, RGB), AUDIO R&L
 VCR SCART: VIDEO (CVBS), AUDIO R&L
 RCA JACK: VIDEO (CVBS), AUDIO R&L
 SPDIF Digital Audio Output
 S-VHS YC p_p 1Volt (±10%)

RF modulator

Modulator output: CH 21_69 (preset to CH 21)
 Video type: PAL B/G, K, I
 UHF output level: 70±5 dBµV
 Output connector: IEC male
 Ant. O/P connector: IEC female
 Tuning method: PLL frequency synthesizer

Serial data interface

Standard: RS232C, Max. 115.2 kB
 Connector type: 9 pin D-type female

Embedded descrambler

VIACCESS conditional access system.

Smart card

2 slots, embedded Viaccess: interface & descramble

Common Interface

(For models DSR 9500 Ci, DSR 9500 VIA Ci)
 Module Type: PCMCIA TYPE II x 2
 Available CAM: VIACCESS, IRDETO, MAGRAVISION, CRYPTOWORKS, CONAX, SECA, Etc.

MEMO

3. Software Upgrade and Installation

3-1 Flash Memory Writing process

How to input software after changing Boot software and replacing Flash Memory.

3-1-1 JPI Setting Manual

1) JPI exe Program : Setting ver R1.80

Make C:\STM\ST20R1.80 folder in C and copy exe file.

Execute setup file in C:\STM\ST20R1.80 folder.

2) PC Setting

Execute vppi set in bin folder, opening C:\STM\ST20R1.80\bin folder

Port type in vppi set up : Auto Detect -> EPP

Access Mode : after altering Synchronous -> Interrupt,

Click Apply and close "vppi set up".

Open Regedit exe in Windows (O) : regedit

HKEY_LOCAL_MACHINE double click -> SYSTEM double click -> CURRENT CONTROL SET double click -> SERVICES double click -> VxD double click

vppi set click -> *Access Mode : 0x00000002(2)

*Port Type : 0x00000003(3)

◆ Following line should be added at Autoexec.bat of PC.

SET ST20ROOT=C:\STM\ST20R1.80

SET STVM_HOME=C:\STM\ST20R1.80

SET TOOLSET=C:\STM\ST20R1.80

3) Caution

◆ When Defaulting in vppi set up (in case of not altering)

Access Mode : 0x00000003(3)

◆ Port Type : 0x00000000(0)

◆ When inputting boot program as JPI, following items should be omitted in C:\windows\system.ini file[386Enh].

device=C:\ST20SWC\tools\vwrn.386

device=C:\ST20SWC\tools\vb045st.386

device=C:\ST20SWC\tools\vb008st.386

* If copied by PPI, above items should be included.

3-1-2 Boot Software Input Process (Same Process in Main Software Installing)

<How to install software using JPI Adapter>

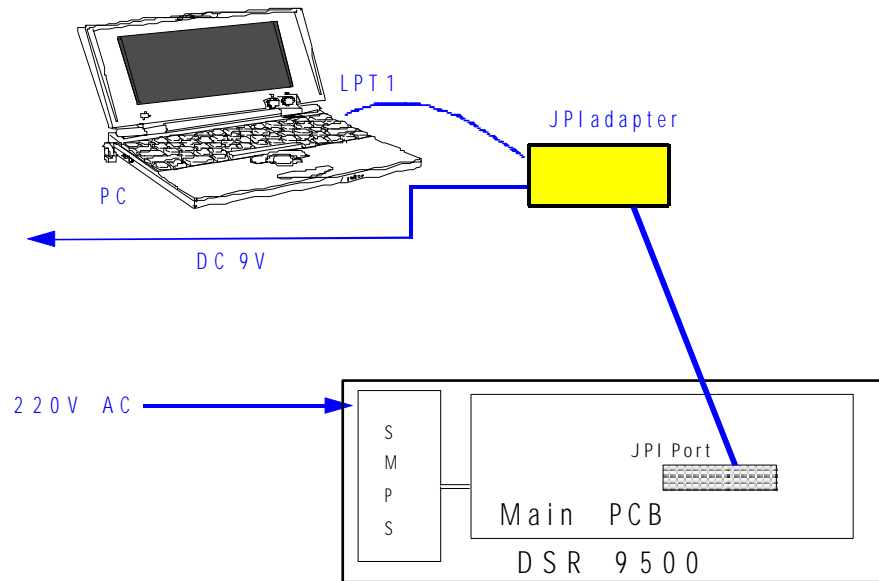


Fig. 3-1

- ❶ Prepare PC and JPI, DSR 9500 as above figure.
- ❷ Connect MAIN BOARD to JIG, JPI ADAPTER to JPI Port of MAIN PCB.
Then JP102(Jumper) Short of Main Board.
- ❸ Approve a power source of POWER SUPPLY in the product set.
- ❹ Convert PC into MS-DOS MODE.
- ❺ Execute C:\amd-boot\flash file name (SETTING UP ST20 DCU TOOLSET 1.6.2 SETTING END)
- ❻ After the power source of POWER SUPPLY OFF.
Then disassemble from JPI ADAPTER CONNECTER.

- ◆ SRF00901EA (FTA) -> C:\amd-boot\flash boot_FTA_9500_1
- ◆ SRF02901EA (CI) -> C:\amd-boot\flash boot_CI_9500_1
- ◆ SRV20901EA (EM VIA) -> C:\amd-boot\flash boot_VIACCESS_9500_1
- ◆ SRV22901EA (VIA CI) -> C:\amd-boot\flash boot_CI_VIACCESS_9500_1

“Message Check”

```

Program Start
Erased Block 65 OK!
Erased Block 66 OK!
Erased Block 67 OK!
Erased Block 68 OK!
Erased Block 69 OK!
received 65 block
entering fast mode programming sequence from C05e0000 to 7ffe0000
received 66 block
entering fast mode programming sequence from C05f0000 to 7fff0000
received 67 block
entering fast mode programming sequence from C05f8000 to 7fff8000
received 68 block
entering fast mode programming sequence from C05fa000 to 7fffa000
received 69 block
entering fast mode programming sequence from C05c0000 to 7ffc000
romtool : Operation Complete
Test Mode
    
```

3-1-3 MAIN Software Install Process

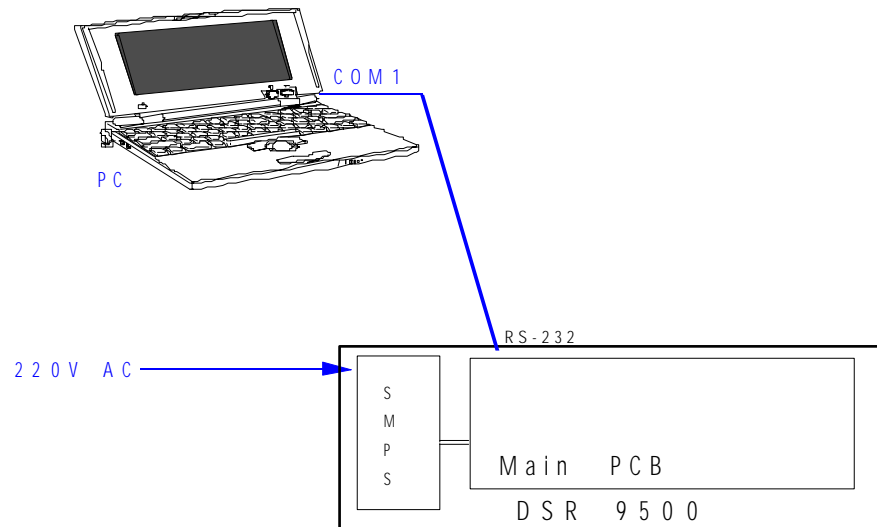


Fig. 3-2

- ❶ Open DSR.TRM file while executing HYPERTERMINAL of PC.
 Port : Select to COM 1 port currently used.
 Baudrate : 115200
- ❷ As Vol-up key of Front PCB presses, POWER(PLUG) ON.
 - ◆ SRF00901EA : Samsung Brand FTA Model
 Loader version x. x
 - ◆ SRF02901EA : Samsung Brand CI Model
 Loader version x. x
 - ◆ SRV20901EA : Samsung Brand EM VIACCESS Model
 Loader version x. x
 - ◆ SRV22901EA : Samsung Brand CI+VIACCESS Model
 Loader version x. x
- ❸ Send a file at Download ROM image. (PROTOCOL : 1K XMODEM)
- ❹ Select Main Program (C:\main\DSR9500_2002_04_03_120_44D2.bin) by each kinds as selecting the File Send of Transfer or Hyperterminal.
- ❺ Check if the normal message appears.

MEMO

1. Precautions

1. Be sure that all of the built-in protective devices are replaced. Restore any missing protective shields.
2. When reinstalling the chassis and its assemblies, be sure to restore all protective devices, including : control knobs and compartment covers.
3. Make sure that there are no cabinet openings through which people--particularly children --might insert fingers and contact dangerous voltages. Such openings include the spacing between the picture tube and the cabinet mask, excessively wide cabinet ventilation slots, and improperly fitted back covers.

If the measured resistance is less than 1.0 megohm or greater than 5.2 megohms, an abnormality exists that must be corrected before the unit is returned to the customer.

4. Leakage Current Hot Check (See Fig. 1-1) :
Warning : Do not use an isolation transformer during this test. Use a leakage current tester or a metering system that complies with American National Standards Institute (ANSI C101.1, Leakage Current for Appliances), and Underwriters Laboratories (UL Publication UL1410, 59.7).
5. With the unit completely reassembled, plug the AC line cord directly the power outlet. With the unit's AC switch first in the ON position and then OFF, measure the current between a known earth ground (metal water pipe, conduit, etc.) and all exposed metal parts, including : antennas, handle brackets, metal cabinets, screwheads and control shafts. The current measured should not exceed 0.5 milliamp. Reverse the power-plug prongs in the AC outlet and repeat the test.
6. X-ray Limits :
The picture tube is designed to prohibit X-ray emissions. To ensure continued X-ray protection, replace the picture tube only with one that is the same type as the original.

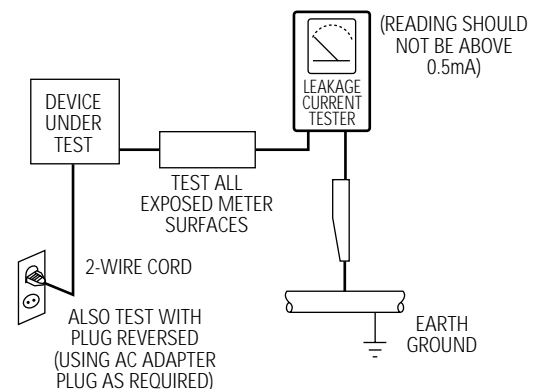


Fig. 1-1 AC Leakage Test

7. Antenna Cold Check :
With the unit's AC plug disconnected from the AC source, connect an electrical jumper across the two AC prongs. Connect one lead of the ohmmeter to an AC prong. Connect the other lead to the coaxial connector.
8. High Voltage Limit :
High voltage must be measured each time servicing is done on the B+, horizontal deflection or high voltage circuits.

Heed the high voltage limits. These include the X-ray protection Specifications Label, and the Product Safety and X-ray Warning Note on the service data schematic.
9. Some semiconductor ("solid state") devices are easily damaged by static electricity. Such components are called Electrostatically Sensitive Devices (ESDs); examples include integrated circuits and some field-effect transistors. The following techniques will reduce the occurrence of component damage caused by static electricity.
10. Immediately before handling any semiconductor components or assemblies, drain the electrostatic charge from your body by touching a known earth ground. Alternatively, wear a discharging Wrist-strap device. (Be sure to remove it prior to applying power--this is an electric shock precaution.)

11. High voltage is maintained within specified limits by close-tolerance, safety-related components and adjustments. If the high voltage exceeds the specified limits, check each of the special components.
12. Design Alteration Warning :
Never alter or add to the mechanical or electrical design of this unit. Example : Do not add auxiliary audio or video connectors. Such alterations might create a safety hazard. Also, any design changes or additions will void the manufacturer's warranty.
13. Hot Chassis Warning :
Some TV receiver chassis are electrically connected directly to one conductor of the AC power cord. If an isolation transformer is not used, these units may be safely serviced only if the AC power plug is inserted so that the chassis is connected to the ground side of the AC source.

To confirm that the AC power plug is inserted correctly, do the following : Using an AC voltmeter, measure the voltage between the chassis and a known earth ground. If the reading is greater than 1.0V, remove the AC power plug, reverse its polarity and reinsert. Re-measure the voltage between the chassis and ground.
14. Some TV chassis are designed to operate with 85 volts AC between chassis and ground, regardless of the AC plug polarity. These units can be safely serviced only if an isolation transformer inserted between the receiver and the power source.
15. Never defeat any of the B+ voltage interlocks. Do not apply AC power to the unit (or any of its assemblies) unless all solid-state heat sinks are correctly installed.
16. Always connect a test instrument's ground lead to the instrument chassis ground before connecting the positive lead; always remove the instrument's ground lead last.
17. Observe the original lead dress, especially near the following areas : Antenna wiring, sharp edges, and especially the AC and high voltage power supplies. Always inspect for pinched, out-of-place, or frayed wiring. Do not change the spacing between components and the printed circuit board. Check the AC power cord for damage. Make sure that leads and components do not touch thermally hot parts.
18. Picture Tube Implosion Warning :
The picture tube in this receiver employs "integral implosion" protection. To ensure continued implosion protection, make sure that the replacement picture tube is the same as the original.
19. Do not remove, install or handle the picture tube without first putting on shatterproof goggles equipped with side shields. Never handle the picture tube by its neck. Some "in-line" picture tubes are equipped with a permanently attached deflection yoke; do not try to remove such "permanently attached" yokes from the picture tube.
20. Product Safety Notice :
Some electrical and mechanical parts have special safety-related characteristics which might not be obvious from visual inspection. These safety features and the protection they give might be lost if the replacement component differs from the original—even if the replacement is rated for higher voltage, wattage, etc.

Components that are critical for safety are indicated in the circuit diagram by shading, (⚠ or ⚡).
Use replacement components that have the same ratings, especially for flame resistance and dielectric strength specifications. A replacement part that does not have the same safety characteristics as the original might create shock, fire or other hazards.

8. Schematic Diagrams

8-1 S.M.P.S. ----- 8-2

8-2 Front ----- 8-4

Main PCB

8-3 Power ----- 8-5

8-4 Reset ----- 8-6

8-5 CIMA^X (Only for CI, VIA CI Models) ----- 8-7

8-6 NVM ----- 8-8

8-7 DCU ----- 8-9

8-8 Sub-Bank ----- 8-10

8-9 Audio ----- 8-11

8-10 Video RAM ----- 8-12

8-11 RS232 ----- 8-13

8-12 Output ----- 8-14

8-13 Smart Card #0 (Only for EM VIA, VIA CI Models) ----- 8-15

8-14 Smart Card #1 (Only for EM VIA, VIA CI Models) ----- 8-16

8-15 Channel ----- 8-17

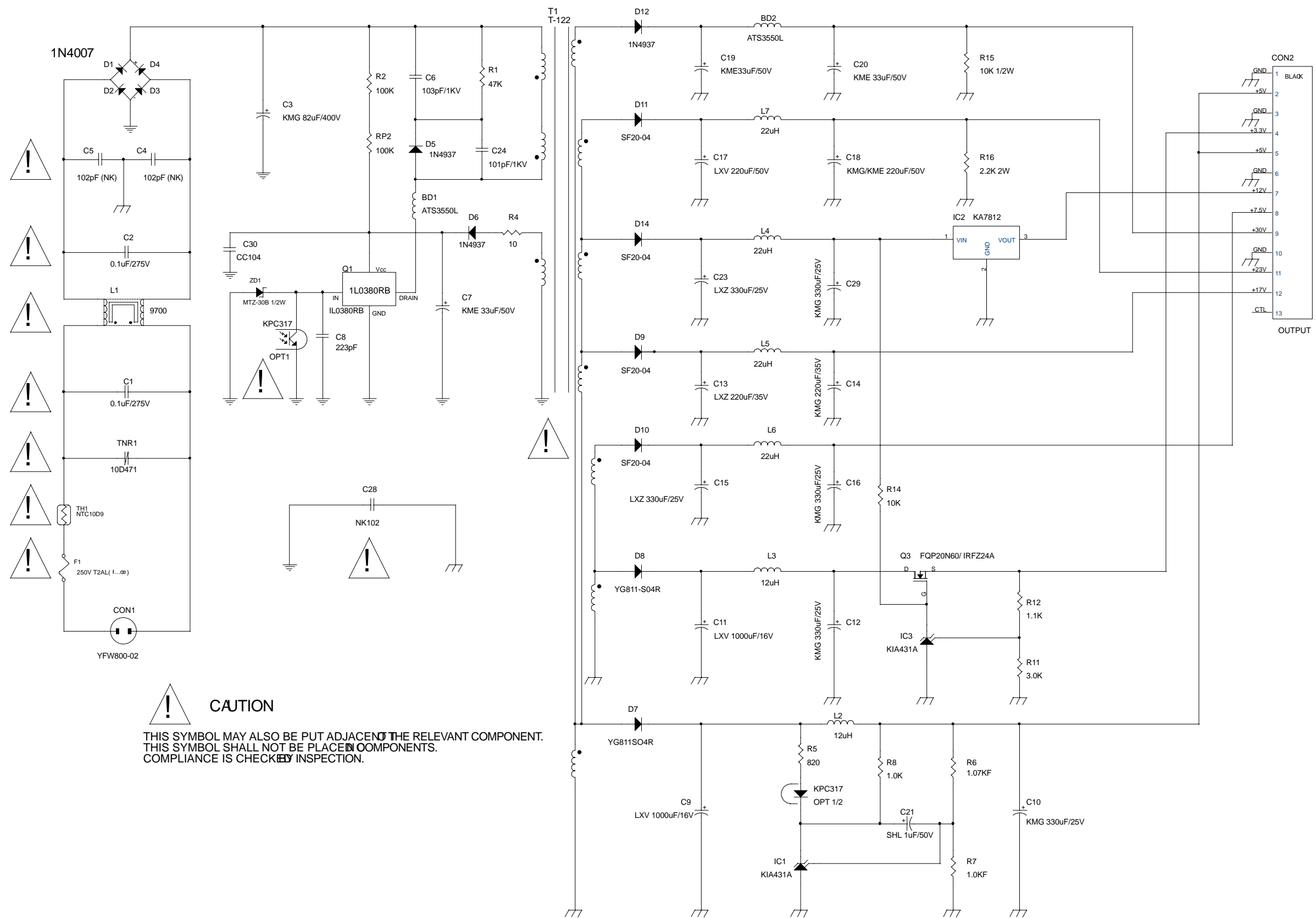
8-16 Front Connection ----- 8-19

8-17 Main CPU ----- 8-20

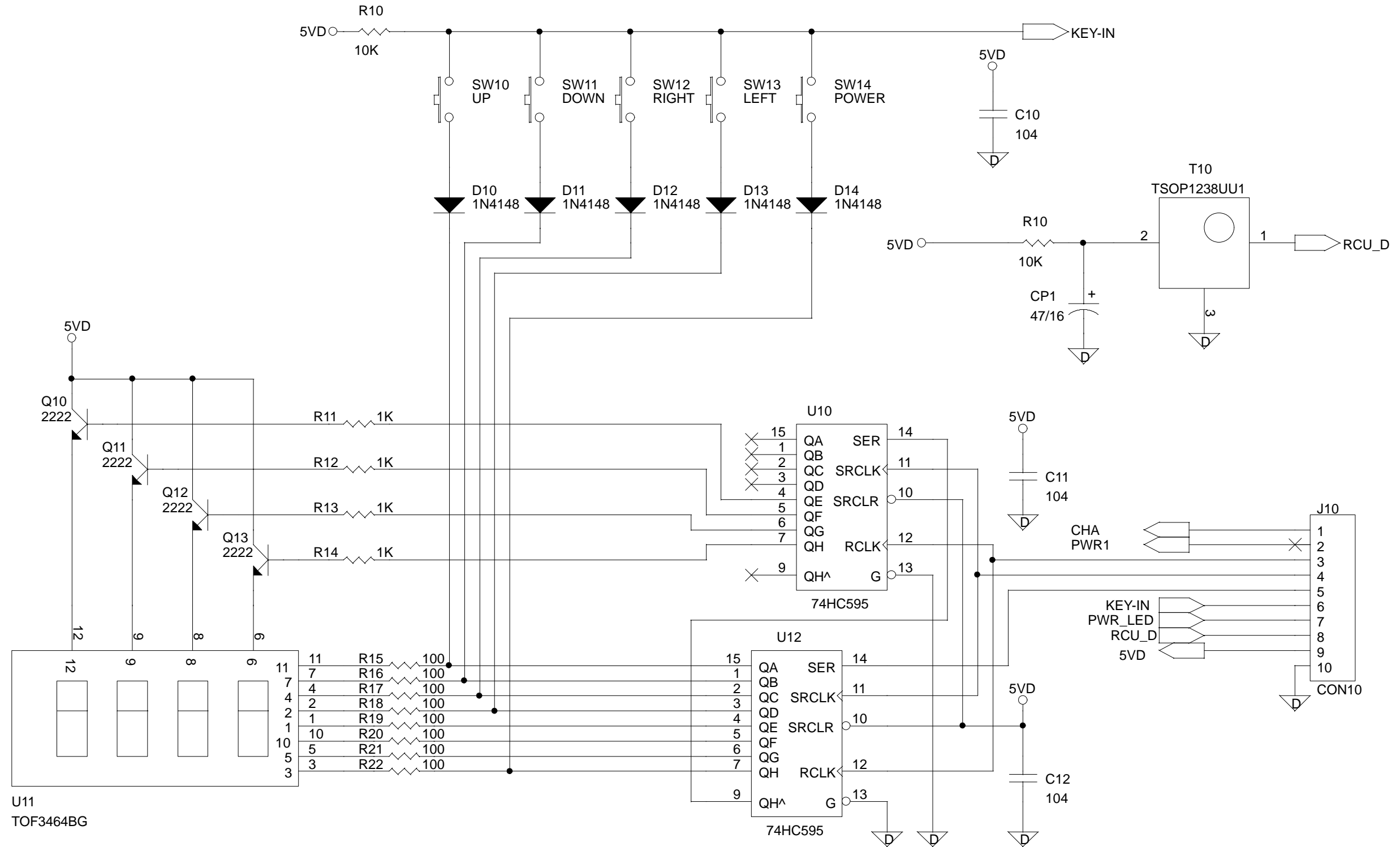
8-18 Flash Memory ----- 8-21

8-19 Modem Interface (Option) ----- 8-18

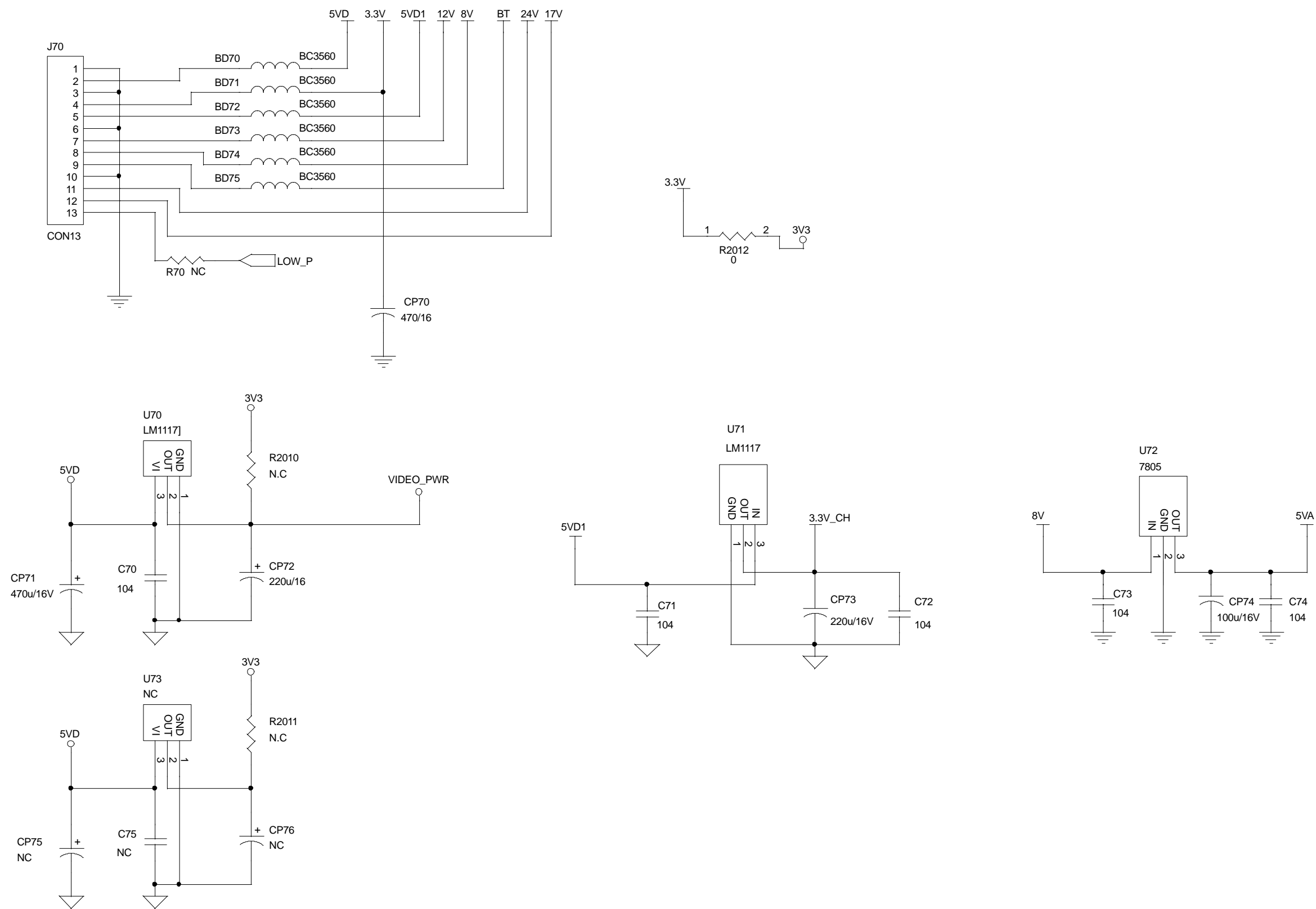
8-1 S.M.P.S.



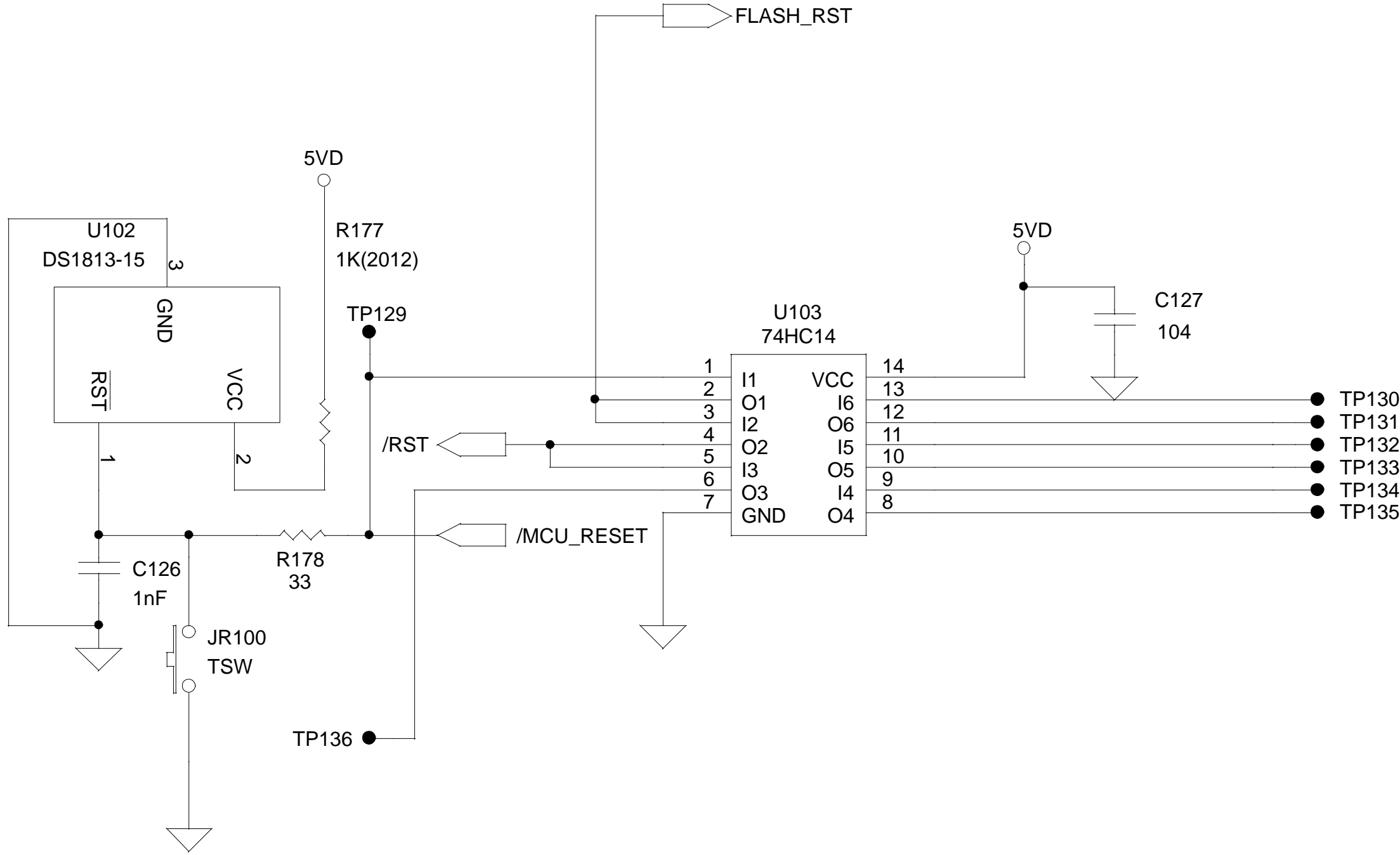
8-2 Front



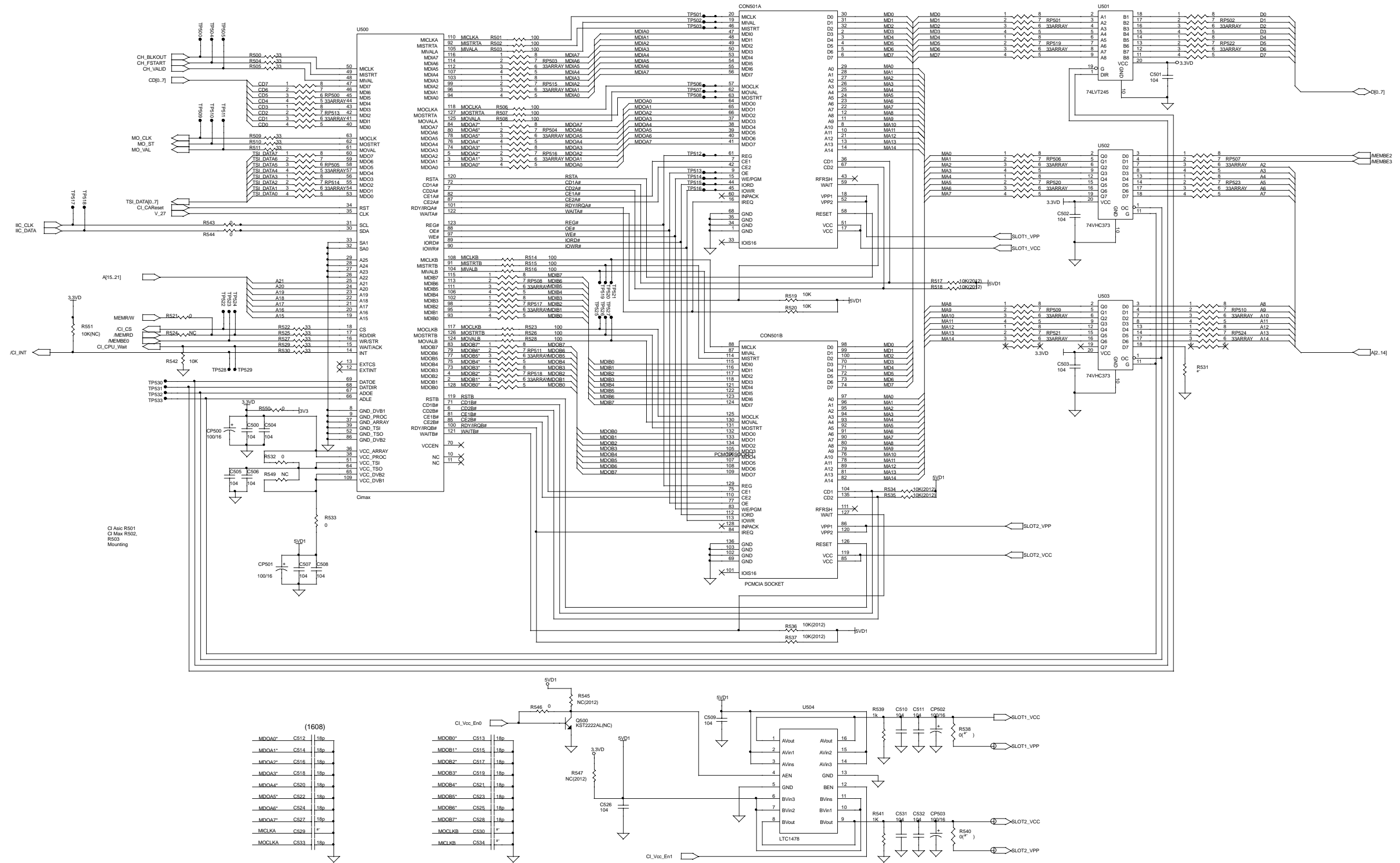
8-3 Power



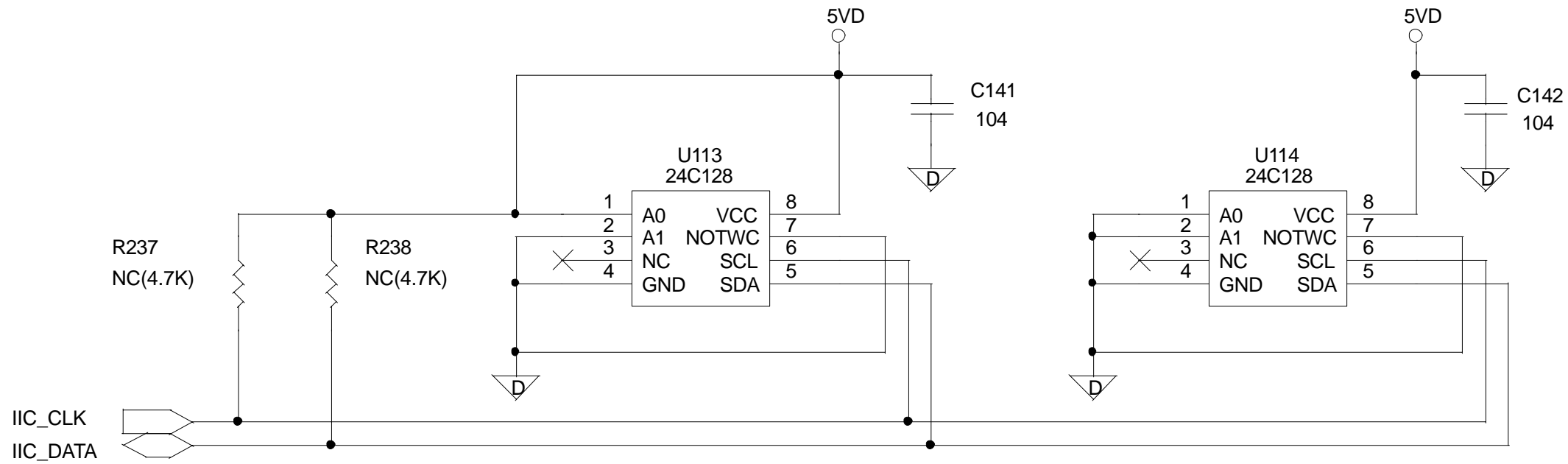
8-4 Reset



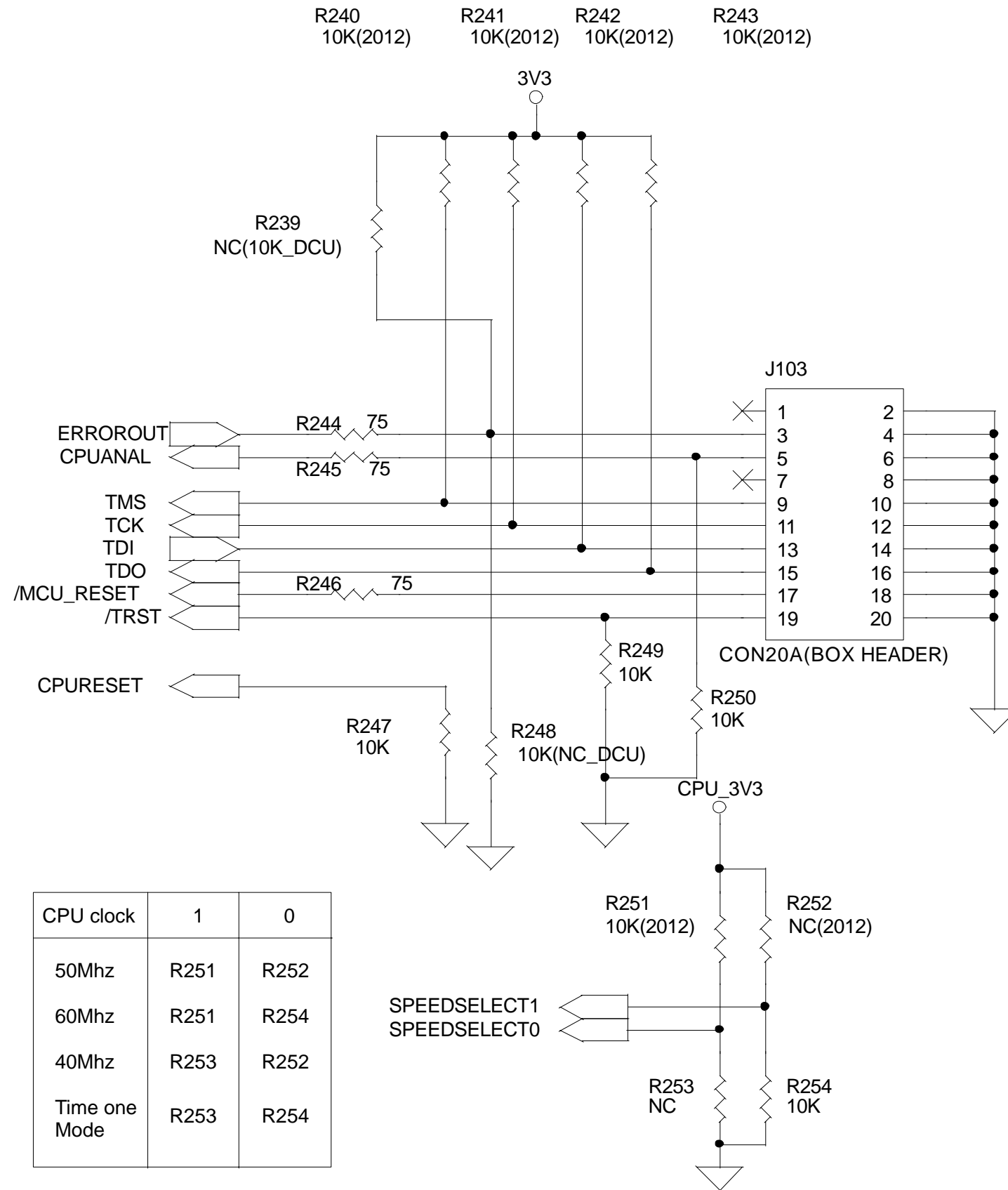
8-5 CIMAX (Only for CI, VIA CI Models)



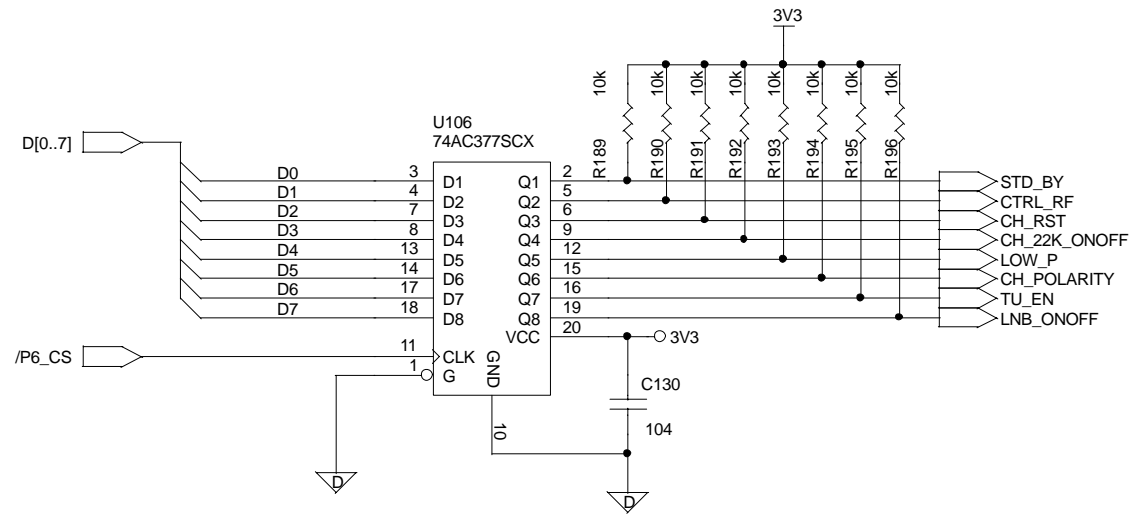
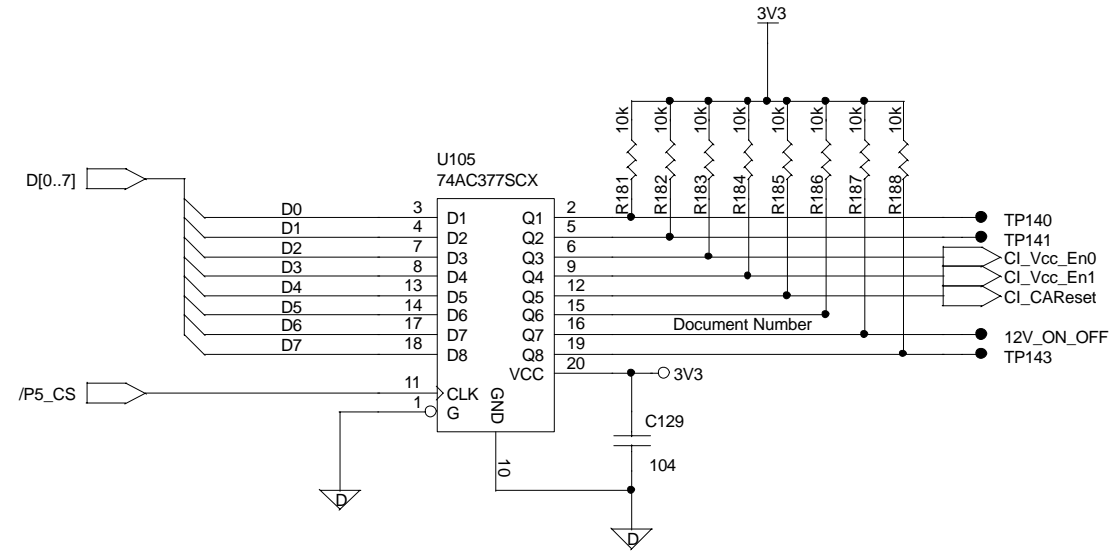
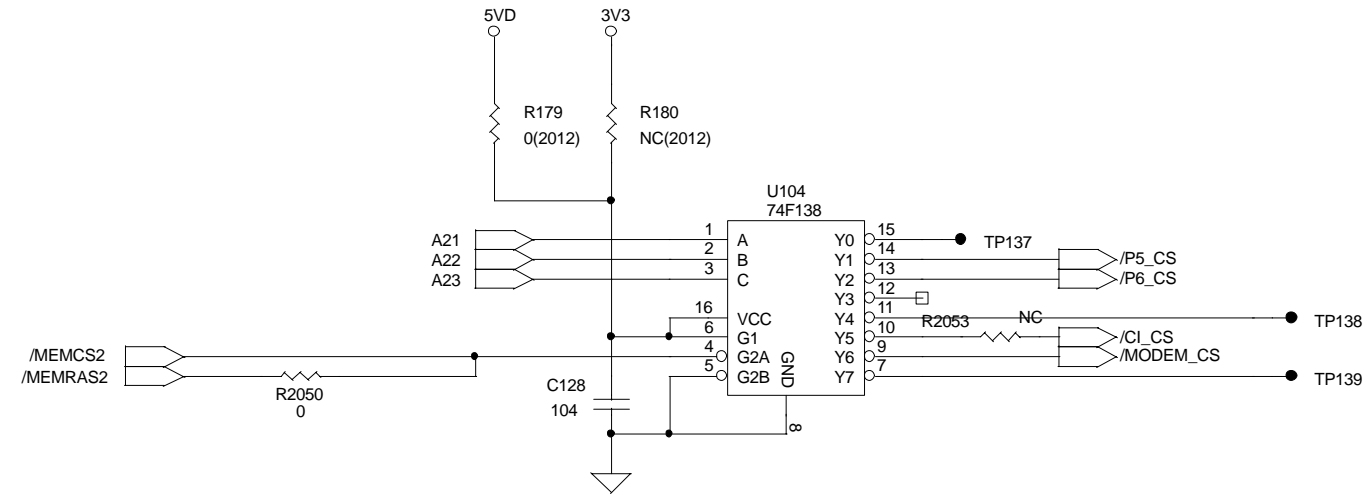
8-6 NVM



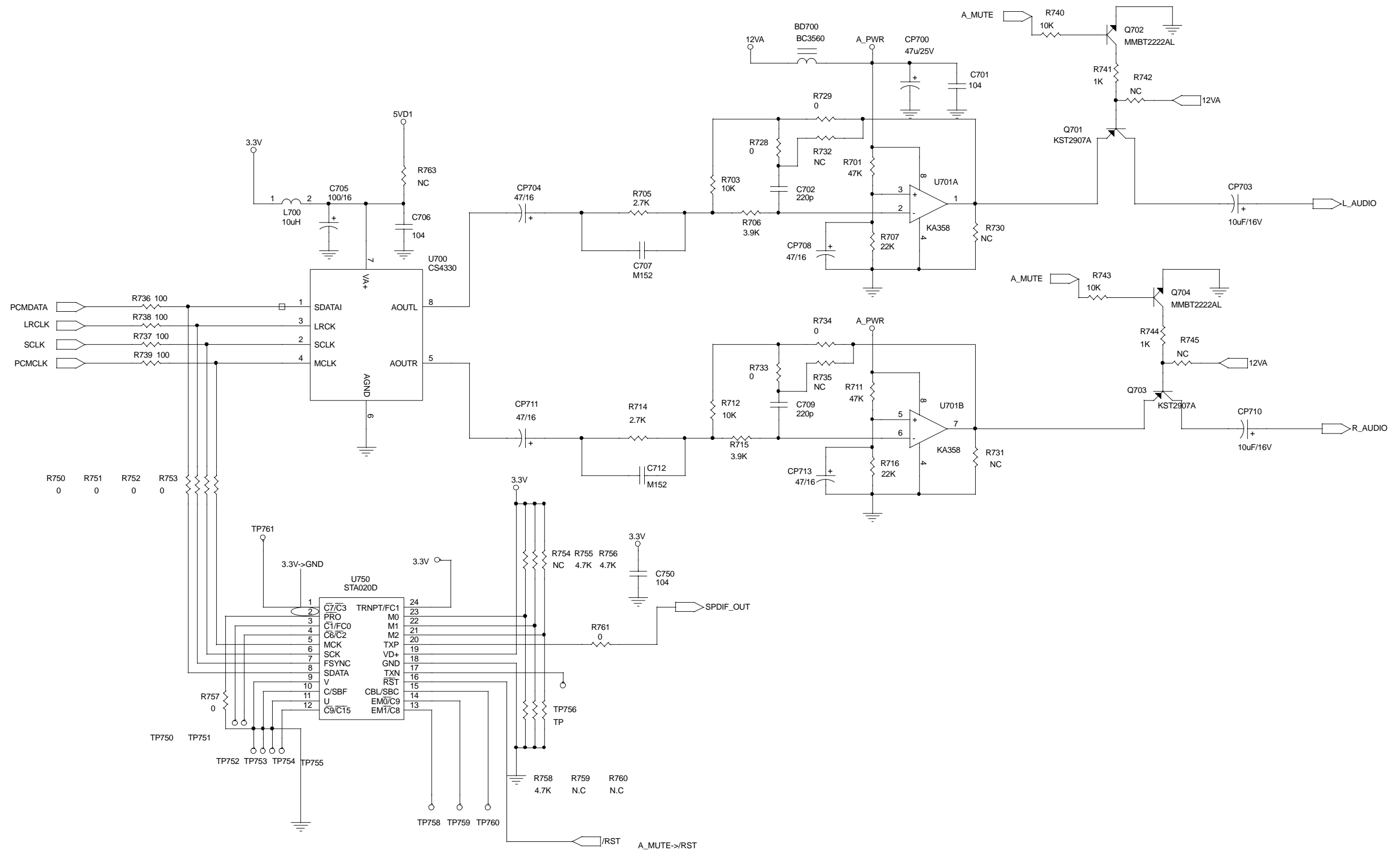
8-7 DCU



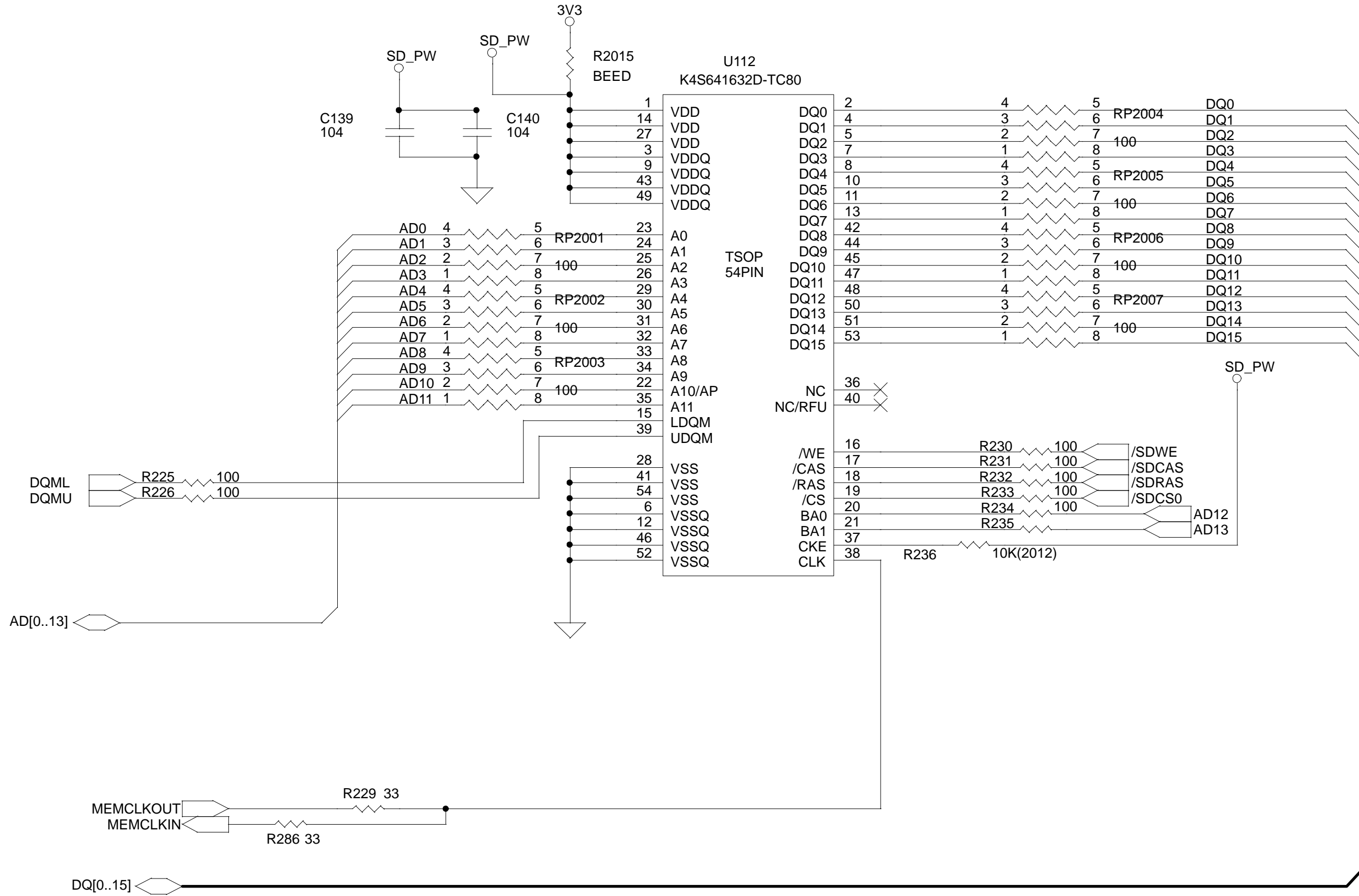
8-8 Sub-Bank



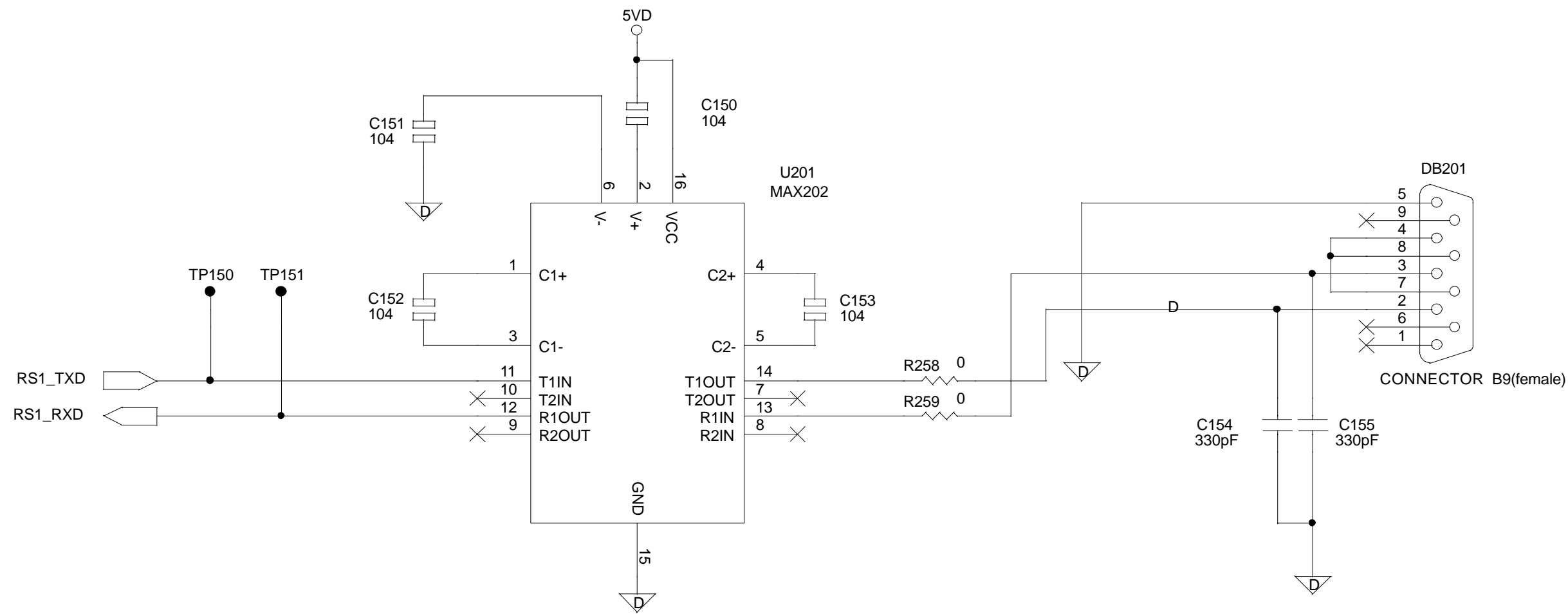
8-9 Audio



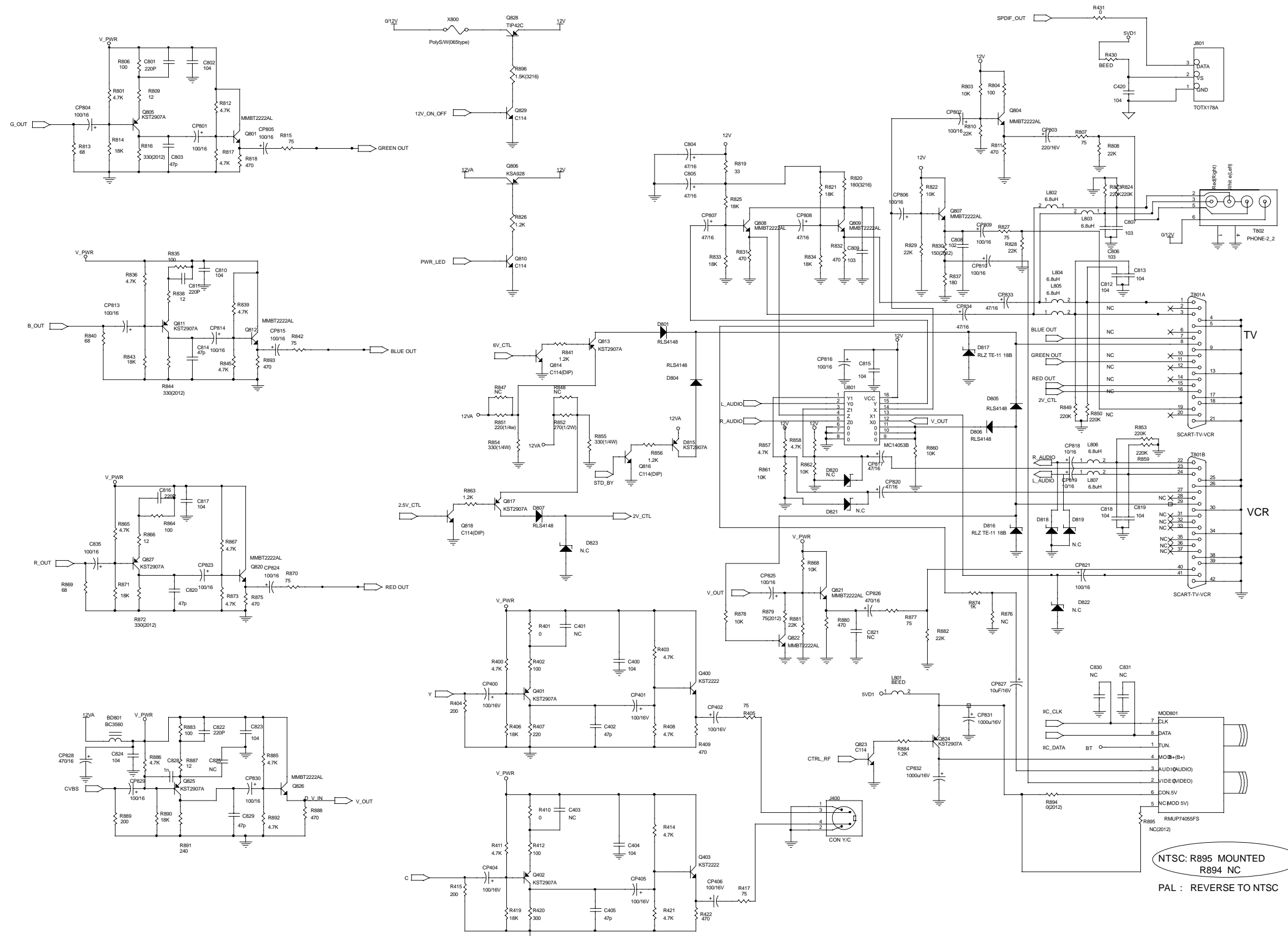
8-10 Video RAM



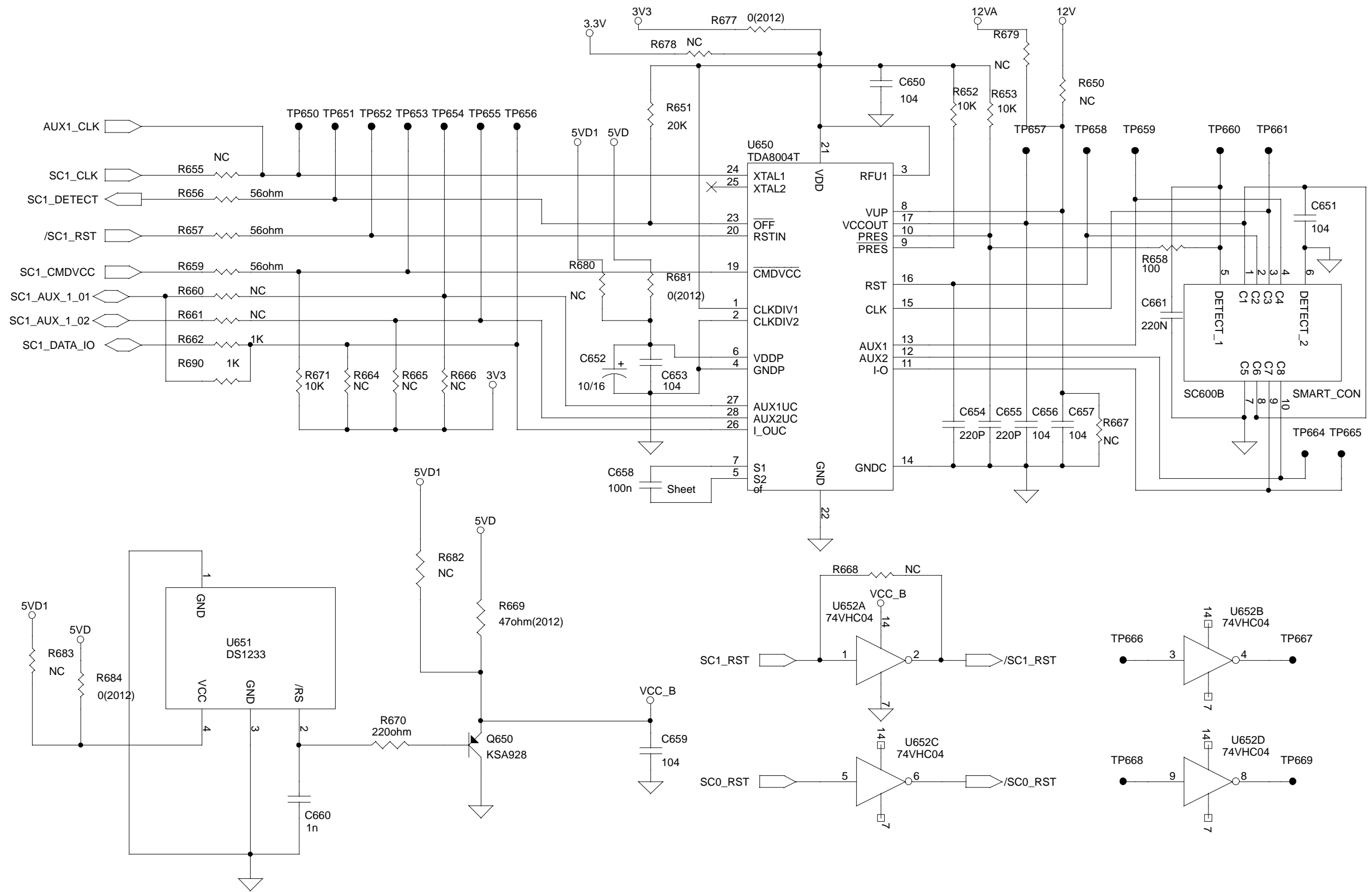
8-11 RS232



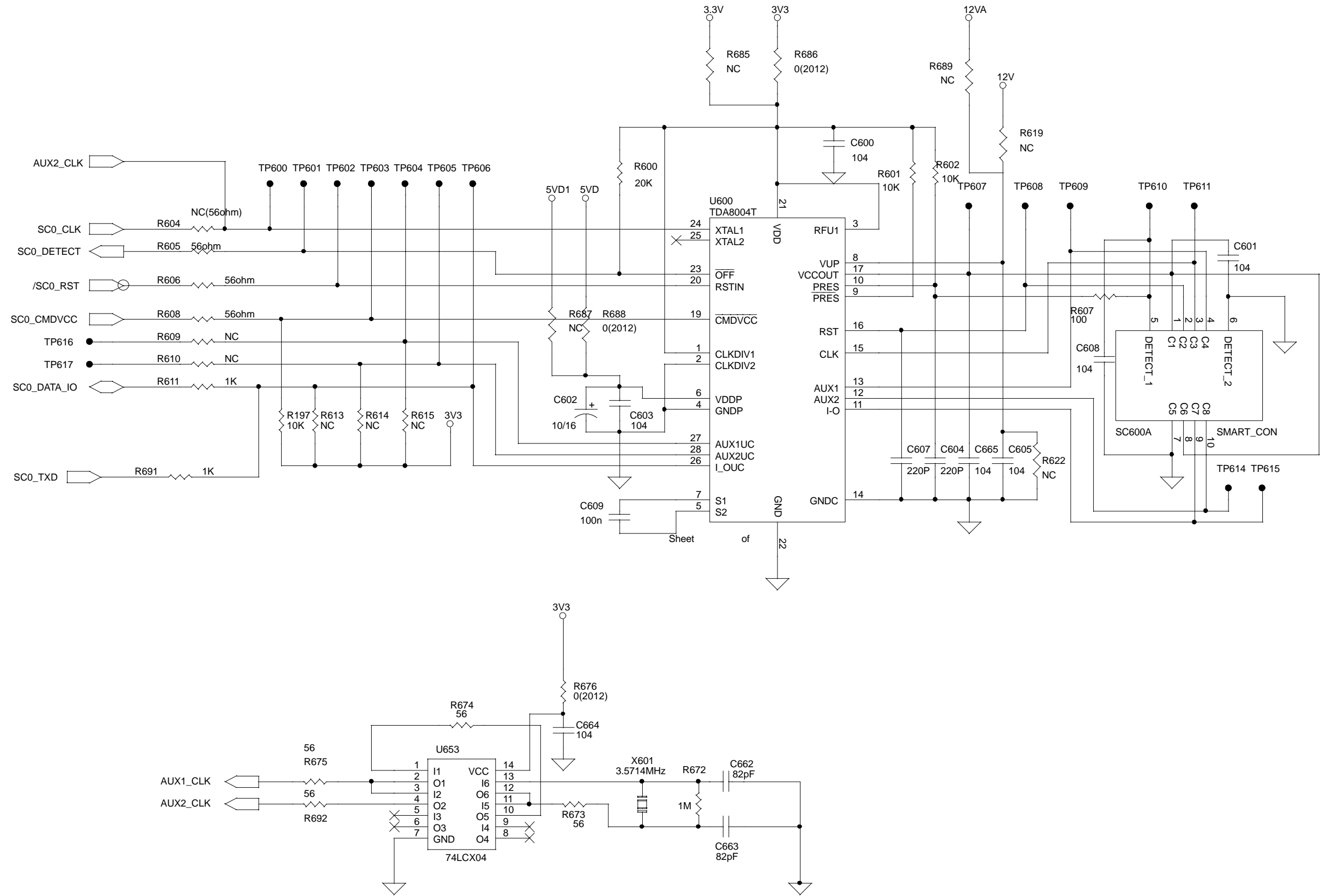
8-12 Output



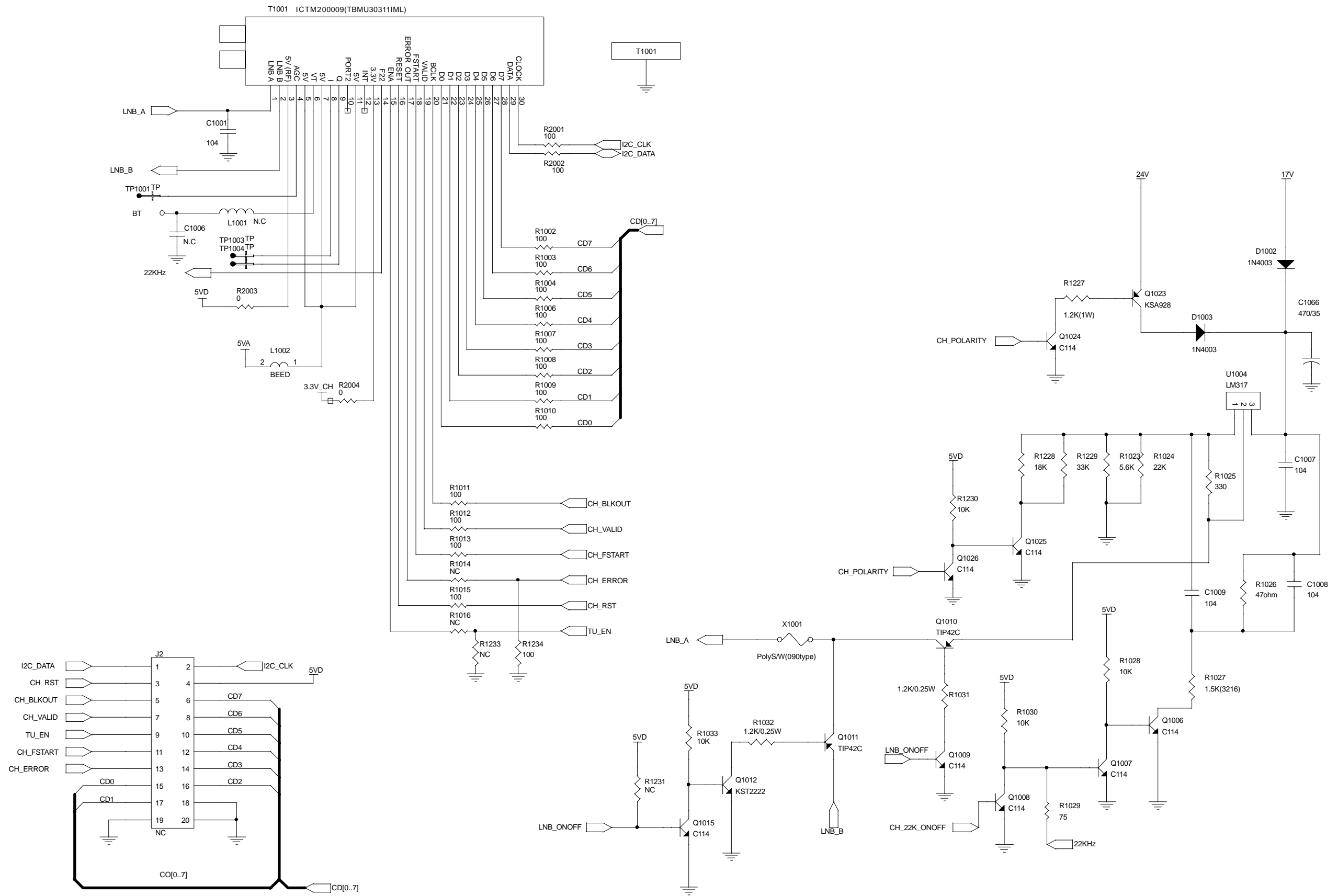
8-13 Smart Card #0 (Only for EM VIA, VIA CI Models)



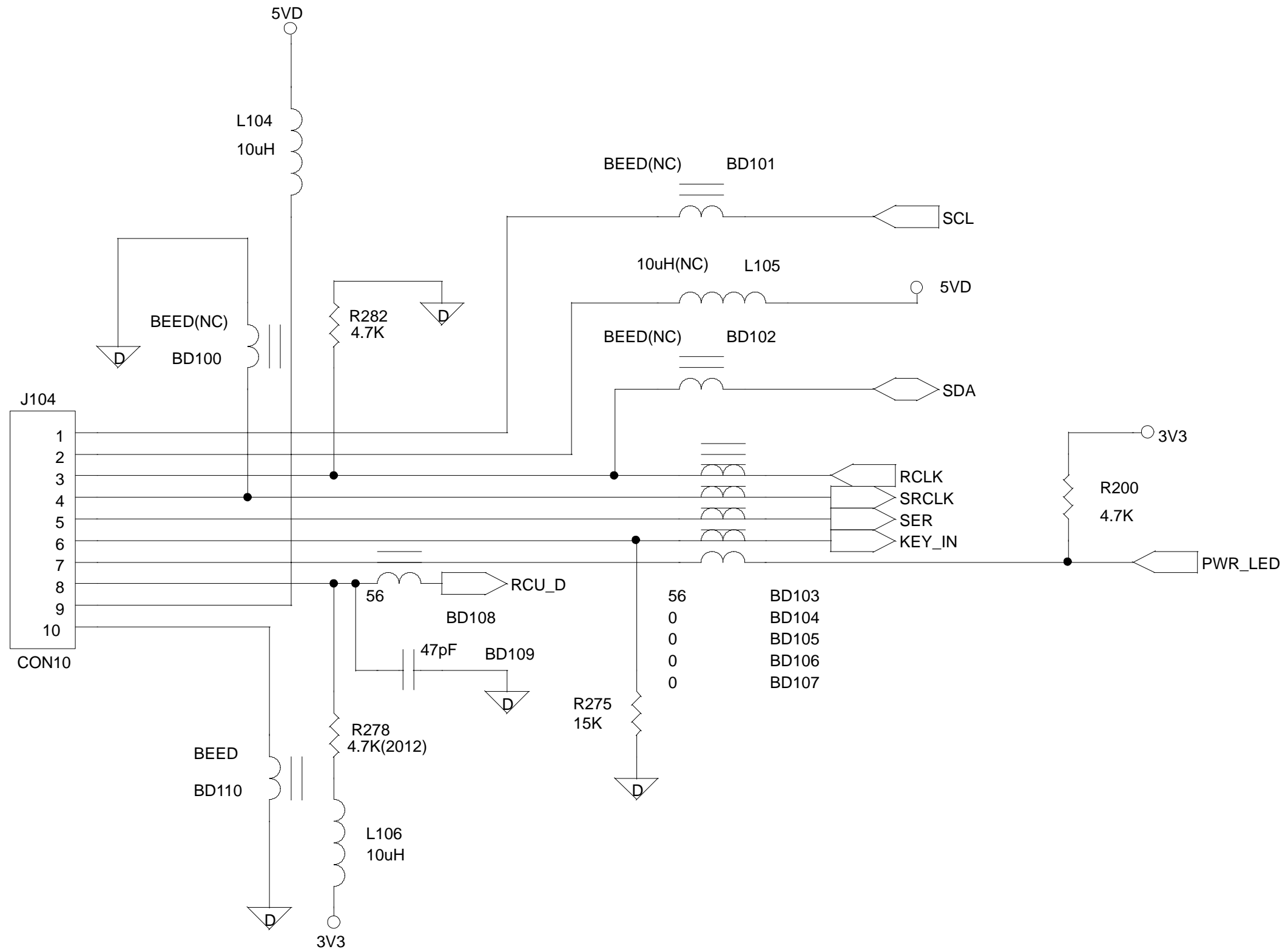
8-14 Smart Card #1 (Only for EM VIA, VIA CI Models)



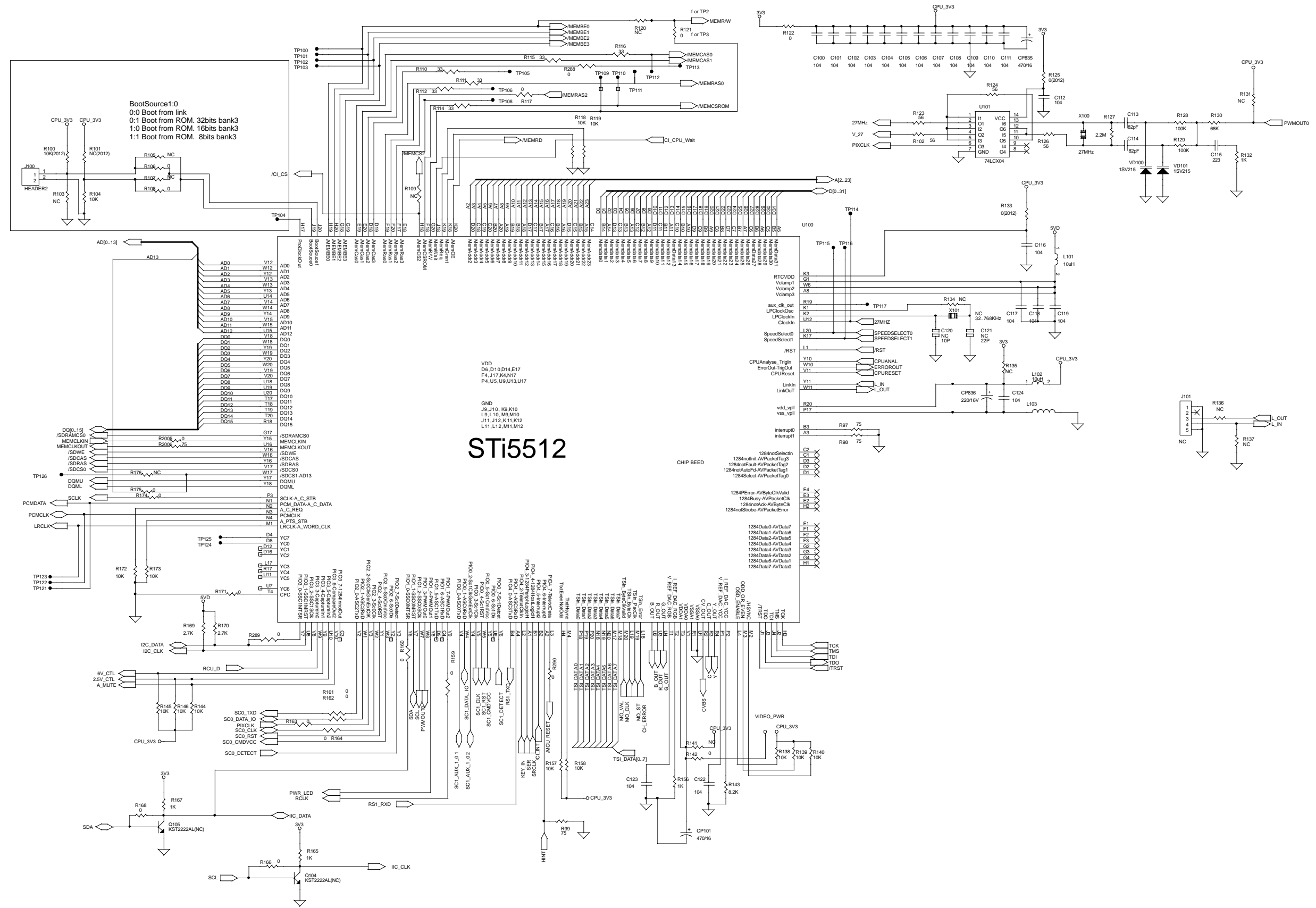
8-15 Channel



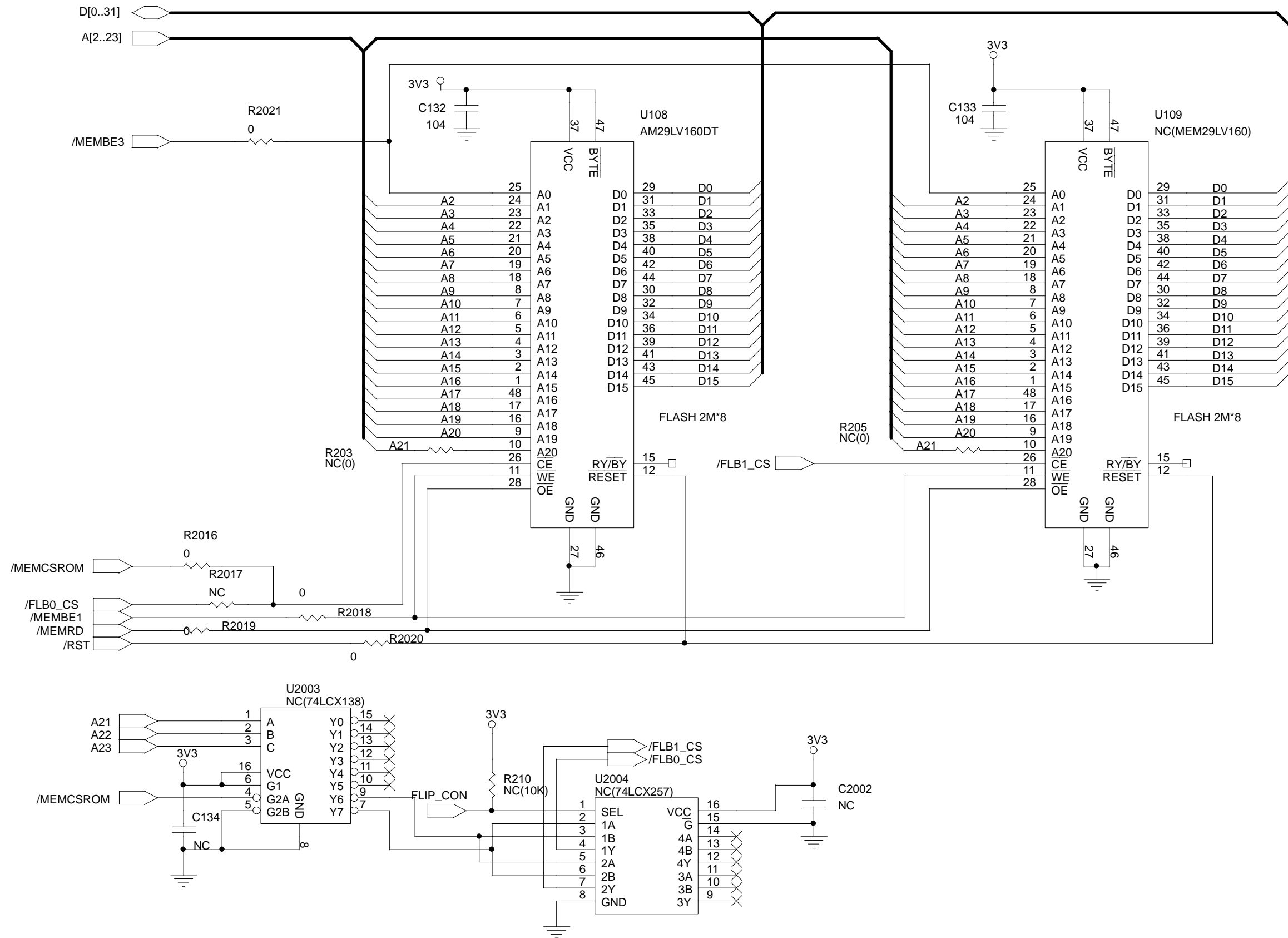
8-16 Front Connection



8-17 Main CPU



8-18 Flash Memory



8-19 Modem Interface (Option)

